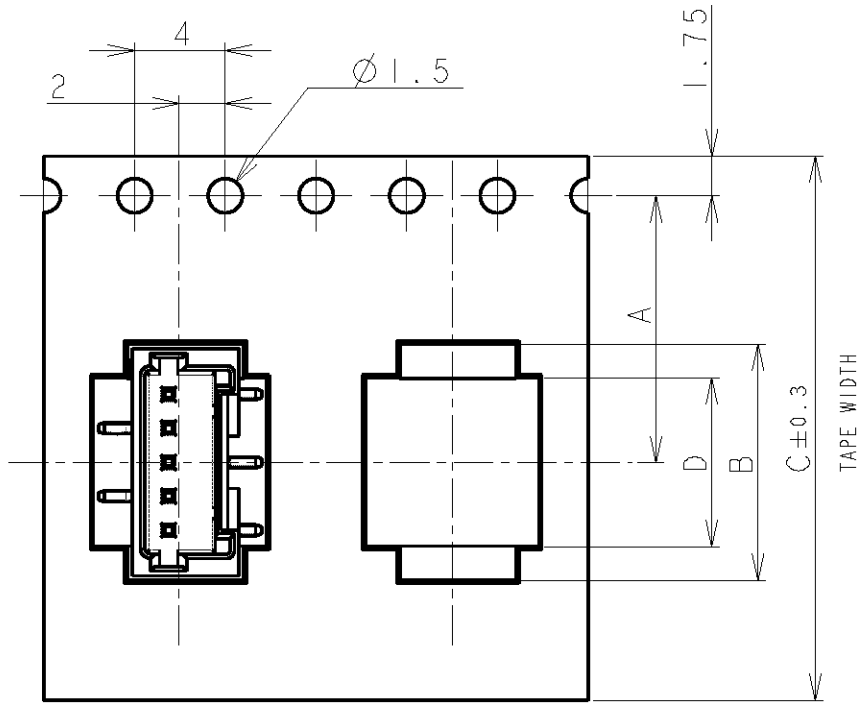


THIS DRAWING IS UNPUBLISHED.

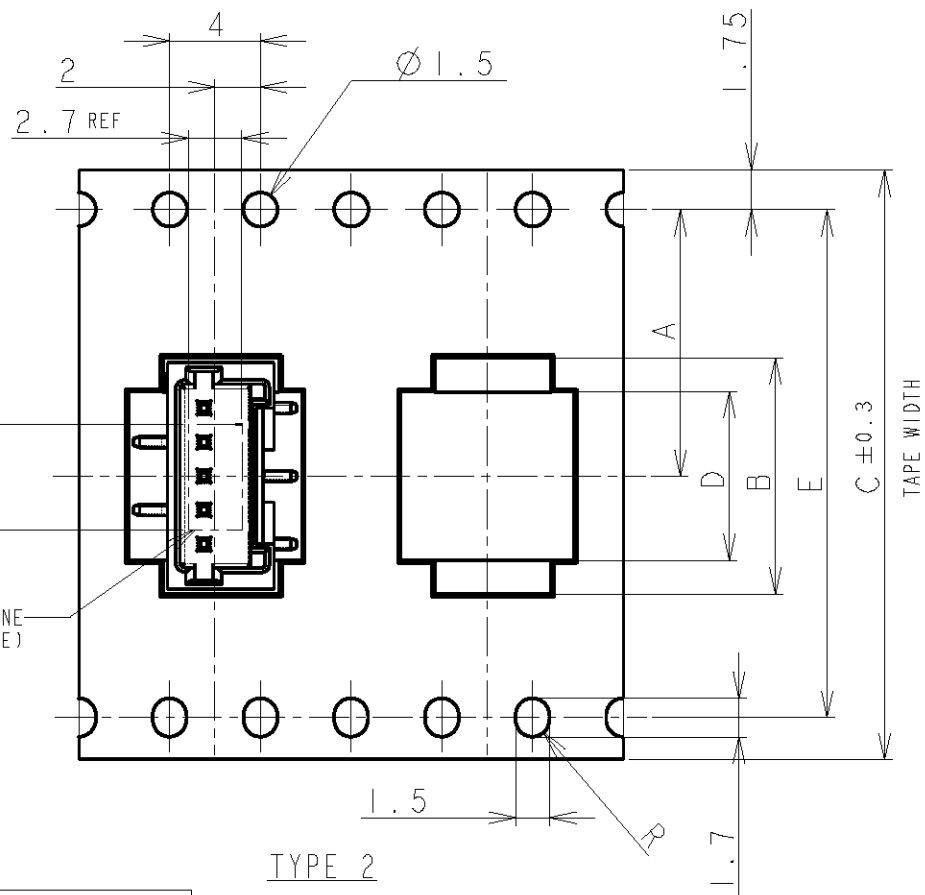
RELEASED FOR PUBLICATION

© COPYRIGHT BY ALL RIGHTS RESERVED.

LOC	DIST	REVISIONS				
P	LTR	DESCRIPTION	DATE	DWN	APVD	
FB	00	B1	REVISED PER ECO-11-005033	2APR11	RK	HMR

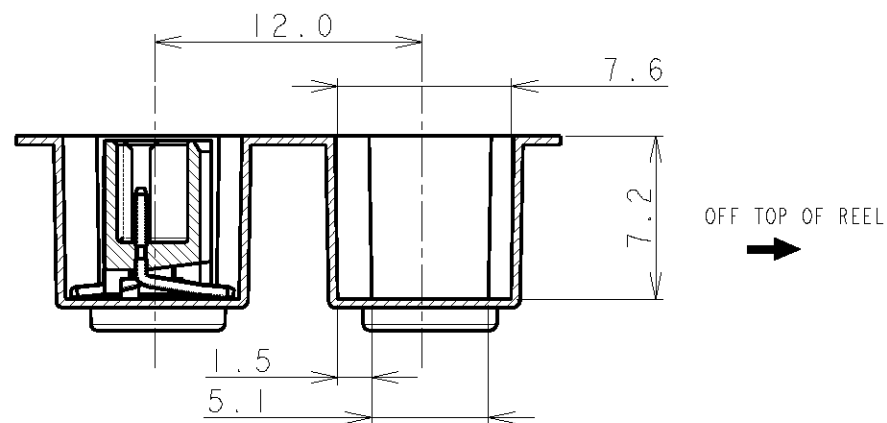
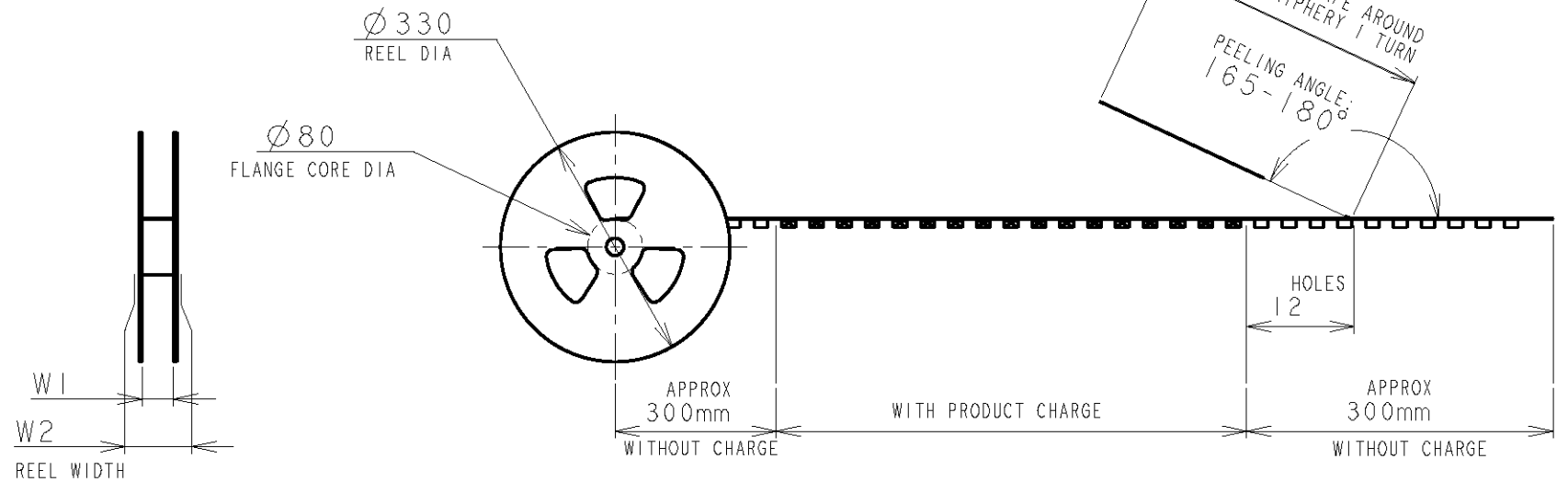
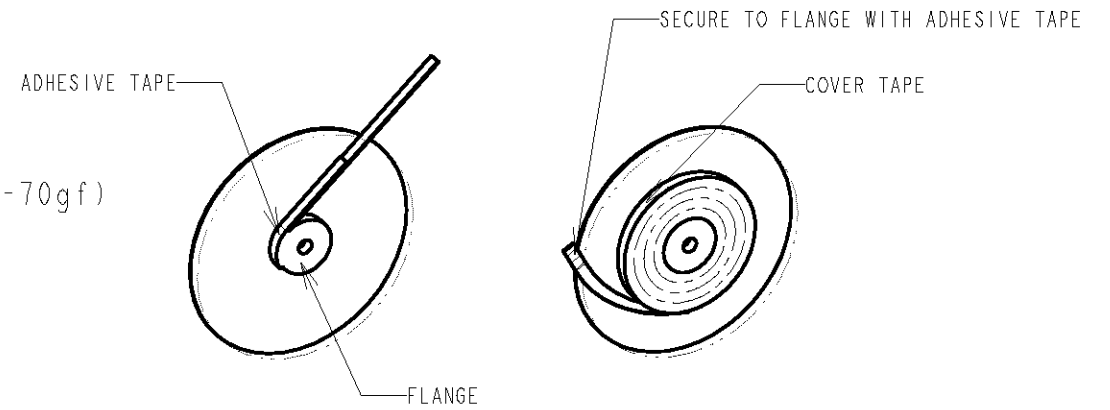


TYPE 1



TYPE 2

NOTE:
 1. PEELING STRENGTH: 0.20-0.69N (20-70gf)
 PEELING ANGLE: 165-180°
 PEELING SPEED: 300mm/MINUTE.



TOLERANCES UNLESS OTHERWISE SPECIFIED:

- 10 > : ±0.2
- 30 > * > 10 : ±0.25
- 100 > * > 30 : ±0.3
- ANGLE : ±3°

DIMENSIONS: mm 		TOLERANCES UNLESS OTHERWISE SPECIFIED: 0 PLC ± 1 PLC ± 2 PLC ± SEE L.H.S. 3 PLC ± 4 PLC ± ANGLES ± FINISH -		DWN S.XU 31JAN03 CHK S.YAO 31JAN03 APVD T.SASAKI 31JAN03 PRODUCT SPEC 108-60018 APPLICATION SPEC 114-5223 WEIGHT CUSTOMER DRAWING		STE TE Connectivity NAME AMP Mini Common Terminated (CT) Connector 1.5mm PITCH SINGLE ROW POST HDR ASS'Y (V) SMT TYPE WITH BOSS, EMBOSS TAPE PACKAGED SIZE A3 CAGE CODE 00779 DRAWING NO C-292230 RESTRICTED TO - SCALE NON SHEET 1 OF 4 REV B1		
-----------------------	--	--	--	---	--	---	--	--

THIS DRAWING IS UNPUBLISHED. ALL RIGHTS RESERVED.


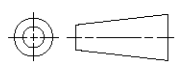
LOC	DIST	REVISIONS						
FB	00	P	LTR	DESCRIPTION	DATE	DWN	APVD	
				SEE SHEET 1				

TAPE TYPE	W2	W1	F	E	D	C	B	A	QTY/REEL	POS	COLOR	ON TAPE P/N	
													DIMENSIONS
TYPE 2	49.5	45.5	6.2	40.4	29.9	44	32.9	20.2±0.15	500	20	BLACK	7-292230-0	
	49.5	45.5	4.7	40.4	28.4	44	31.4		500	19		6-292230-9	
	49.5	45.5	6.2	40.4	26.9	44	29.9		500	18		6-292230-8	
	49.5	45.5	4.7	40.4	25.4	44	28.4		500	17		6-292230-7	
	49.5	45.5	6.2	40.4	23.9	44	26.9		500	16		6-292230-6	
	49.5	45.5	4.7	40.4	22.4	44	25.4		500	15		6-292230-5	
	49.5	45.5	6.2	40.4	20.9	44	23.9		500	14		6-292230-4	
	49.5	45.5	4.7	40.4	19.4	44	22.4		500	13		6-292230-3	
	37.5	33.5	6.2	28.4	17.9	32	20.9		14.2	500		12	6-292230-2
	37.5	33.5	4.7	28.4	16.4	32	19.4		14.2	500		11	6-292230-1
TYPE 1	37.5	33.5	6.2	28.4	14.9	32	17.9	14.2	500	10	6-292230-0		
	37.5	33.5	4.7	28.4	13.4	32	16.4	14.2	500	9	5-292230-9		
	29.5	25.5	6.2	-	11.9	24	14.9	11.5	500	8	5-292230-8		
	29.5	25.5	4.7	-	10.4	24	13.4	11.5	500	7	5-292230-7		
	29.5	25.5	6.2	-	8.9	24	11.9	11.5	500	6	5-292230-6		
	29.5	25.5	4.7	-	7.4	24	10.4	11.5	500	5	5-292230-5		
	21.5	17.5	6.2	-	5.9	16	8.9	7.5	500	4	5-292230-4		
	21.5	17.5	4.7	-	4.4	16	7.4	7.5	500	3	5-292230-3		
21.5	17.5	2.8	-	2.9	16	5.9	7.5	500	2	-			

TAPE TYPE	W2	W1	F	E	D	C	B	A	QTY/REEL	POS	COLOR	ON TAPE P/N	
													DIMENSIONS
TYPE 2	49.5	45.5	6.2	40.4	29.9	44	32.9	20.2±0.15	500	20	BEIGE	2-292230-0	
	49.5	45.5	4.7	40.4	28.4	44	31.4		500	19		1-292230-9	
	49.5	45.5	6.2	40.4	26.9	44	29.9		500	18		1-292230-8	
	49.5	45.5	4.7	40.4	25.4	44	28.4		500	17		1-292230-7	
	49.5	45.5	6.2	40.4	23.9	44	26.9		500	16		1-292230-6	
	49.5	45.5	4.7	40.4	22.4	44	25.4		500	15		1-292230-5	
	49.5	45.5	6.2	40.4	20.9	44	23.9		500	14		1-292230-4	
	49.5	45.5	4.7	40.4	19.4	44	22.4		500	13		1-292230-3	
	37.5	33.5	6.2	28.4	17.9	32	20.9		14.2	500		12	1-292230-2
	37.5	33.5	4.7	28.4	16.4	32	19.4		14.2	500		11	1-292230-1
TYPE 1	37.5	33.5	6.2	28.4	14.9	32	17.9	14.2	500	10	1-292230-0		
	37.5	33.5	4.7	28.4	13.4	32	16.4	14.2	500	9	292230-9		
	29.5	25.5	6.2	-	11.9	24	14.9	11.5	500	8	292230-8		
	29.5	25.5	4.7	-	10.4	24	13.4	11.5	500	7	292230-7		
	29.5	25.5	6.2	-	8.9	24	11.9	11.5	500	6	292230-6		
	29.5	25.5	4.7	-	7.4	24	10.4	11.5	500	5	292230-5		
	21.5	17.5	6.2	-	5.9	16	8.9	7.5	500	4	292230-4		
	21.5	17.5	4.7	-	4.4	16	7.4	7.5	500	3	292230-3		
21.5	17.5	2.8	-	2.9	16	5.9	7.5	500	2	-			

THIS DRAWING IS UNPUBLISHED. ALL RIGHTS RESERVED.

COPYRIGHT BY

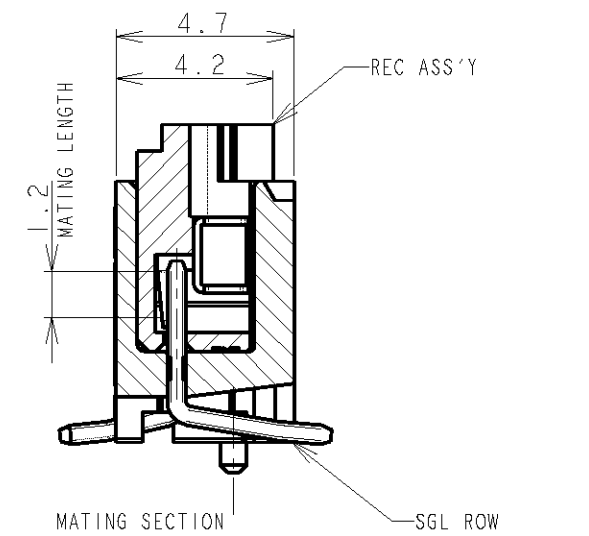
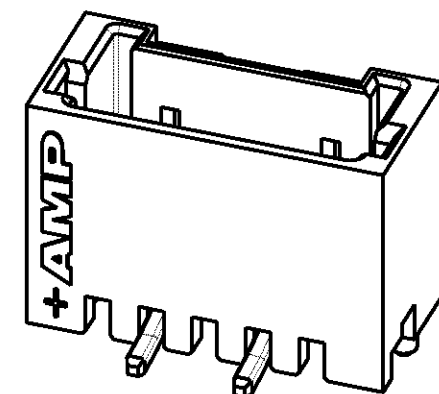
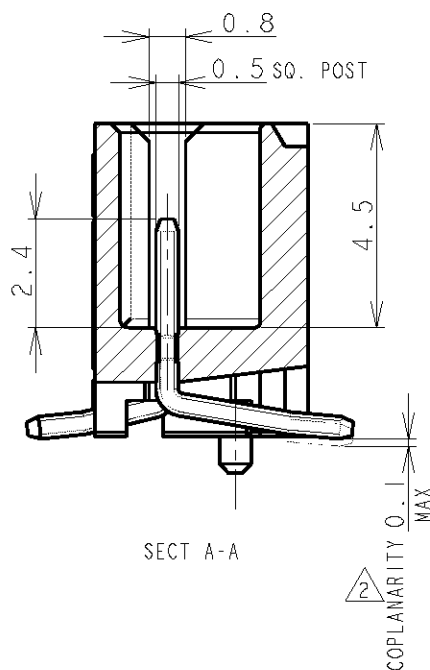
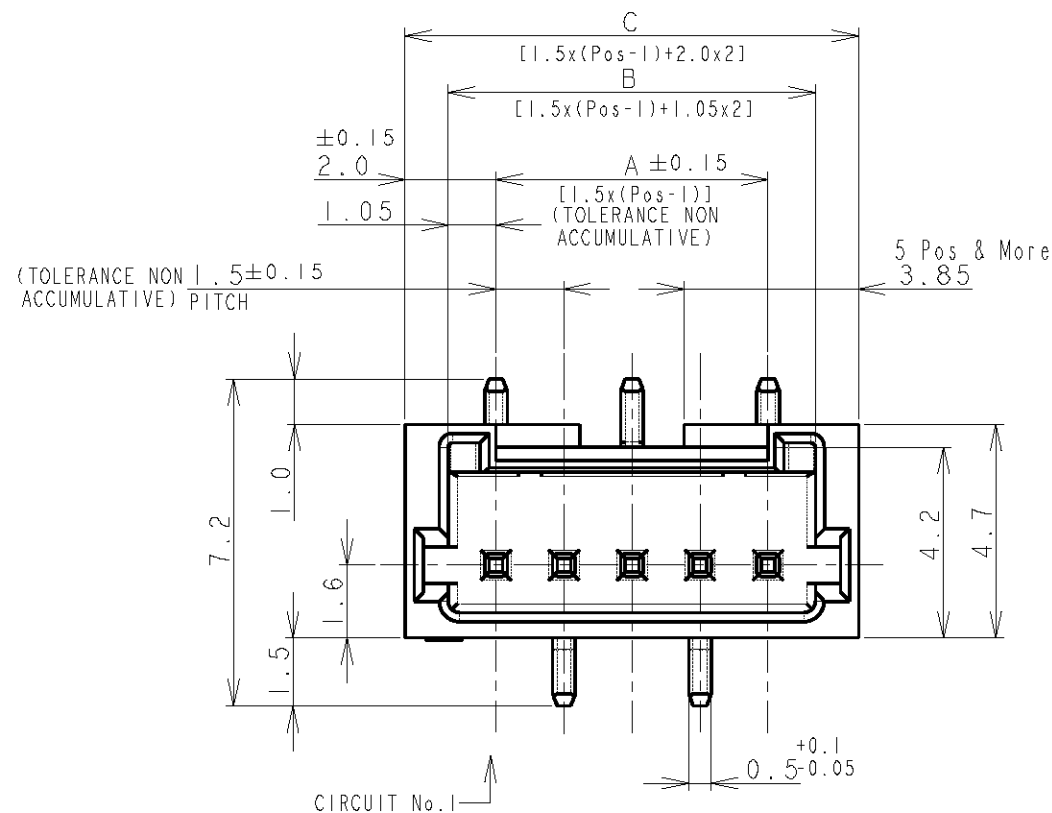
DIMENSIONS: mm		DWN		MATERIAL		FINISH	
TOLERANCES UNLESS OTHERWISE SPECIFIED:		CHK					
0 PLC ±-		APVD					
1 PLC ±0.1		PRODUCT SPEC		NAME AMP Mini Common Terminated (CT) Connector 1.5mm PITCH			
2 PLC ±0.01		SEE SHEET 1 OF 4		SINGLE ROW POST HDR ASS'Y (V)			
3 PLC ±0.001		APPLICATION SPEC		SMT TYPE WITH BOSS, EMBOSS TAPE PACKAGED			
4 PLC ±0.0001		SEE SHEET 1 OF 4		SIZE	CAGE CODE	DRAWING NO	RESTRICTED TO
ANGLES ±-		WEIGHT		A4	00779	G-292230	-
CUSTOMER DRAWING				SCALE	NON	SHEET	2 OF 4
				REV B1			

THIS DRAWING IS UNPUBLISHED.

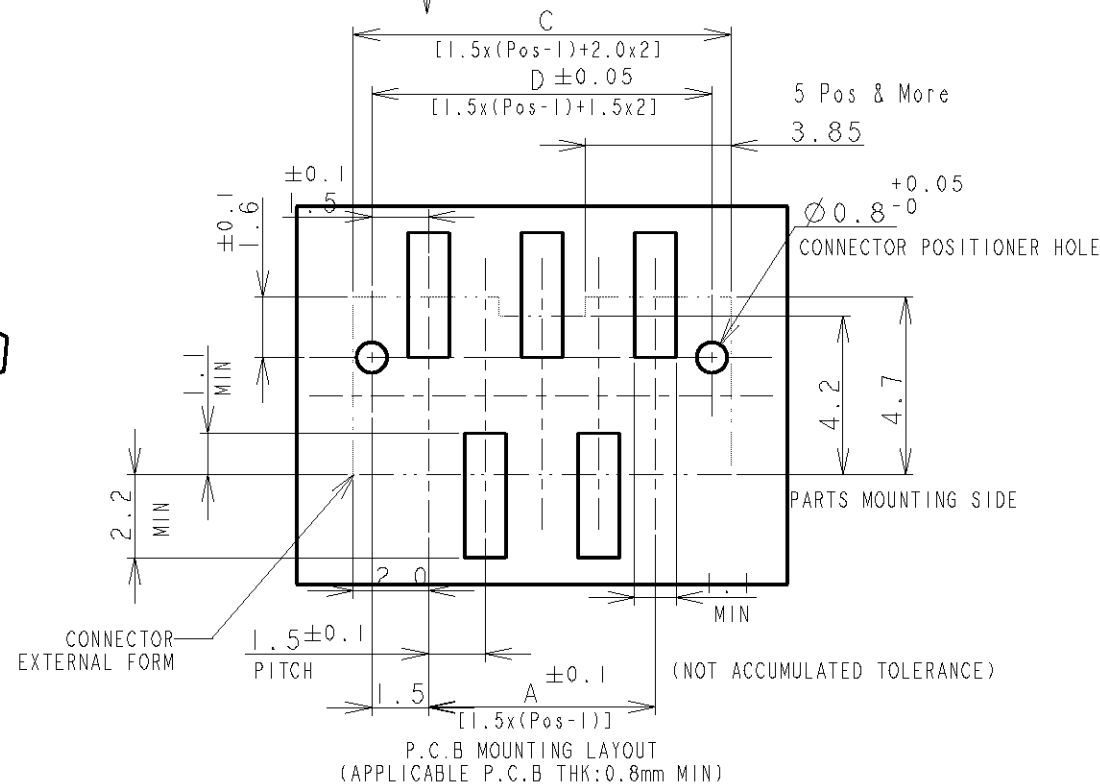
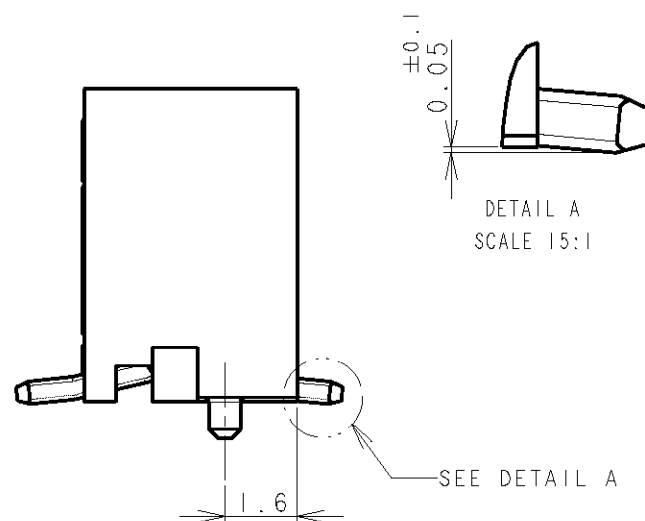
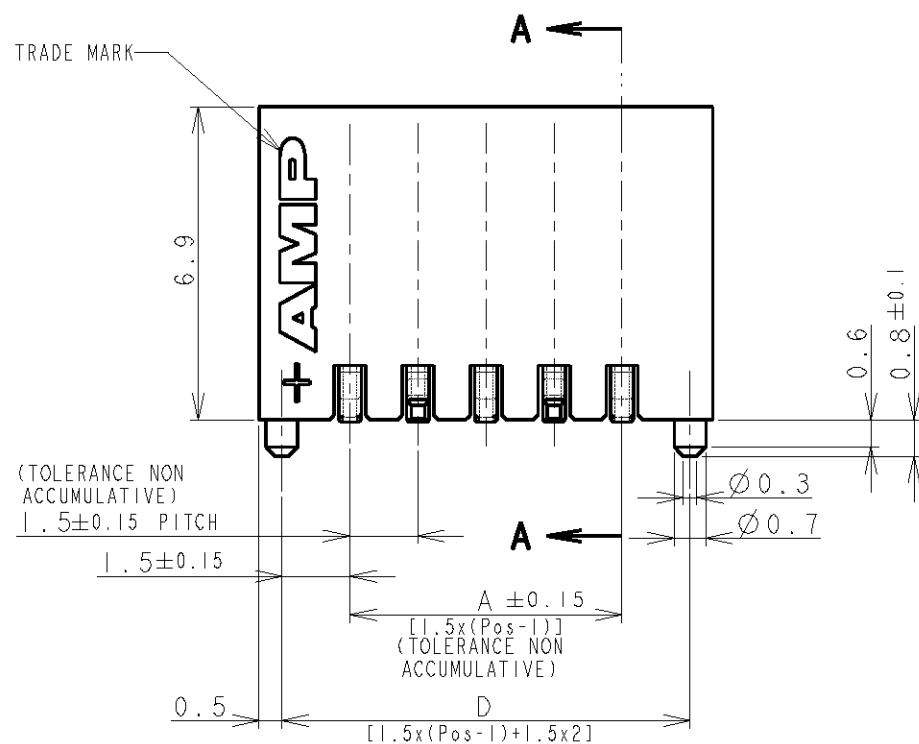
RELEASED FOR PUBLICATION

© COPYRIGHT BY ALL RIGHTS RESERVED.

LOC	DIST	REVISIONS			
P	LTR	DESCRIPTION	DATE	DWN	APVD
FB	00	SEE SHEET 1			



CIRCUIT No. 1



NOTES:
 1. MATERIAL:
 HOUSING: GLASS FILLED, HIGH HEAT RESISTANT NYLON, UL94V-0, COLOR: BEIGE OR BLACK
 POST: Sn-100% BRASS WIRE
 TO BE MEASURED WITH CONNECTOR PLACED ON HORIZONTAL DATUM SURFACE,
 FLOAT OF SOLDER TINE FROM DATUM SURFACE IS 0.1mm MAX.

DWN		STE TE Connectivity	
CHK			
APVD		NAME	
PRODUCT SPEC		AMP MINI COMMON TERMINATION (CT) CONNECTOR 1.5 mm PITCH SINGLE ROW POST HDR ASS'Y (V) SMT TYPE WITH BOSS	
APPLICATION SPEC		RESTRICTED TO	
WEIGHT		SIZE	CAGE CODE
MATERIAL		DRAWING NO	
SEE NOTE 1		A3 00779 C-292230	
FINISH		CUSTOMER DRAWING	
SEE NOTE 1		SCALE	SHEET
		NON	3 OF 4
		REV B1	

LOC	DIST	REVISIONS					
FB	00	P	LTR	DESCRIPTION	DATE	DWN	APVD
		-		SEE SHEET 1	-	-	-


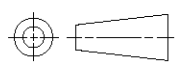
0.98	31.5	32.5	30.6	28.5	20	7-292230-0	2-292230-0
0.93	30.0	31.0	29.1	27.0	19	6-292230-9	1-292230-9
0.89	28.5	29.5	27.6	25.5	18	6-292230-8	1-292230-8
0.84	27.0	28.0	26.1	24.0	17	6-292230-7	1-292230-7
0.80	25.5	26.5	24.6	22.5	16	6-292230-6	1-292230-6
0.75	24.0	25.0	23.1	21.0	15	6-292230-5	1-292230-5
0.71	22.5	23.5	21.6	19.5	14	6-292230-4	1-292230-4
0.66	21.0	22.0	20.1	18.0	13	6-292230-3	1-292230-3
0.62	19.5	20.5	18.6	16.5	12	6-292230-2	1-292230-2
0.57	18.0	19.0	17.1	15.0	11	6-292230-1	1-292230-1
0.52	16.5	17.5	15.6	13.5	10	6-292230-0	1-292230-0
0.48	15.0	16.0	14.1	12.0	9	5-292230-9	292230-9
0.43	13.5	14.5	12.6	10.5	8	5-292230-8	292230-8
0.39	12.0	13.0	11.1	9.0	7	5-292230-7	292230-7
0.34	10.5	11.5	9.6	7.5	6	5-292230-6	292230-6
0.30	9.0	10.0	8.1	6.0	5	5-292230-5	292230-5
0.25	7.5	8.5	6.6	4.5	4	5-292230-4	292230-4
0.20	6.0	7.0	5.1	3.0	3	5-292230-3	292230-3
0.17	4.5	5.5	3.6	1.5	2	-	-
WEIGHT (g)	D	C	B	A	Pos.	BLACK	BEIGE (NAT)
	DIMENSIONS					P/N	

RELEASED FOR PUBLICATION

ALL RIGHTS RESERVED.

© COPYRIGHT BY

THIS DRAWING IS UNPUBLISHED.

DIMENSIONS: mm		DWN	MATERIAL	FINISH	
TOLERANCES UNLESS OTHERWISE SPECIFIED:		CHK	SEE SHEET 1		SEE SHEET 1
0 PLC ±		APVD	 TE Connectivity		
1 PLC ±		PRODUCT SPEC			
2 PLC ±		APPLICATION SPEC	NAME		
3 PLC ±			AMP MINI COMMON TERMINATED (CT) CONNECTOR 1.5 mm PITCH		
4 PLC ±			SINGLE ROW POST HDR ASS'Y (V) SMT TYPE WITH BOSS		
ANGLES ±		WEIGHT	SIZE	CAGE CODE	DRAWING NO
			A4	00779	①-292230
CUSTOMER DRAWING			SCALE	SHEET	REV
			NON	4 OF 4	B1