

# KR Electronics, Inc.

## General Description

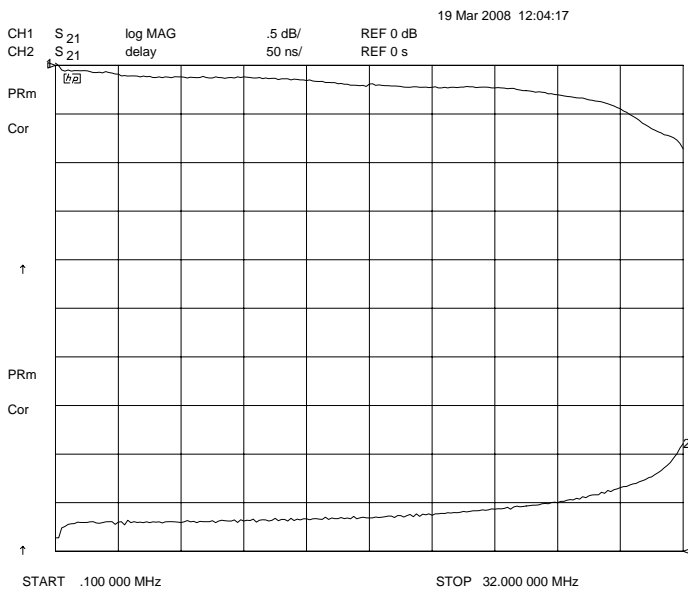
KR 2824 is a 32 MHz surface mount lowpass filter. Other frequencies and bandwidths available. Please consult the factory.

### Features

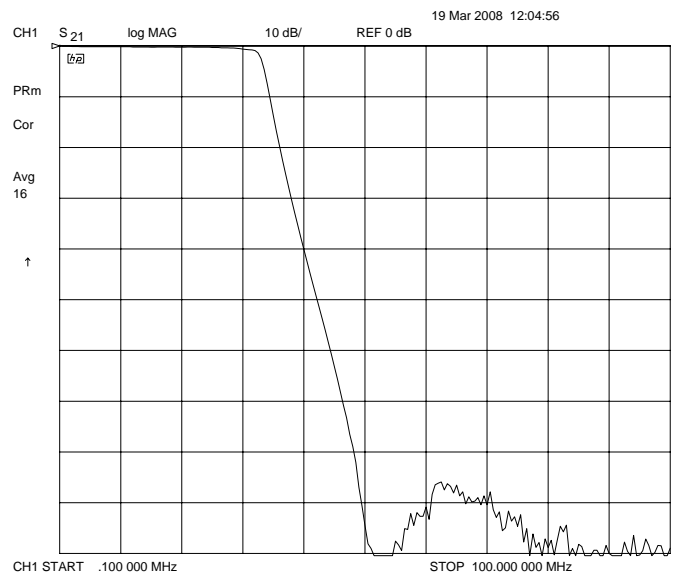
- 32 MHz Lowpass Filter
- High Stopband Atten > 75 dB
- Surface Mount Package
- 50 Ω Source and Load

## Typical Performance

### Passband Amplitude & Group Delay (0.5 dB/div & 50 nsec/div)



### Overall Response (10 dB/div)



KR Electronics, Inc.  
91 Avenel Street  
Avenel, NJ 07001

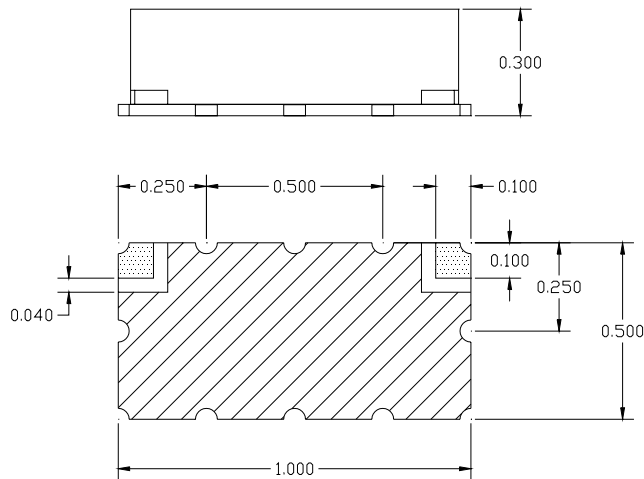
Web www.krfilters.com  
 Email sales@krfilters.com  
 Phone (732) 636-1900  
 Fax (732) 636-1982

# KR 2824 Lowpass

## Specifications

Parameter	Specification
Filter type	Lowpass
Attenuation at 32 MHz	< 3 dB ( 1 dB typical)
Attenuation at 50 MHz	> 75 dB
Source and Load	50 $\Omega$

## Physical Dimensions



**Notes:**

1. Surface mount package — Metal cover, open frame
2. Dimensions in inches
3. Max reflow temperature 209° C for 10 sec
4. If boards are cleaned after installation, units must be completely dried