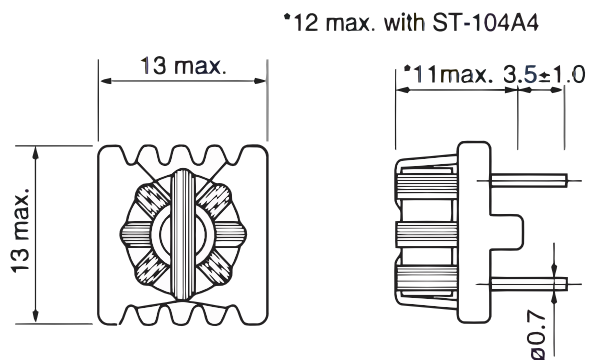


**KEMET Part Number: ST-204A1**  
(UDLST00204A100)

KEMET, ST, DC Line Filters, Common Mode



| Dimensions |              |
|------------|--------------|
| L          | 13mm MAX     |
| W          | 13mm MAX     |
| H          | 11mm MAX     |
| LL         | 3.5mm +/-1mm |

| Packaging Specifications |           |
|--------------------------|-----------|
| Packaging:               | Tray, Box |
| Packaging Quantity:      | 4800      |
| Weight:                  | 2.13 g    |

| General Information |  |
|---------------------|--|
| Series:             | ST   |
| Style:              | Through-Hole   |
| RoHS:               | Yes  |
| Miscellaneous:      | FM Band, Frequency Range: 7 To 100 MHz, Impedance: 250 Ohms (10 MHz) |

| Specifications     |           |
|--------------------|-----------|
| Voltage DC:        | 50 VDC    |
| Temperature Range: | -20/+75°C |
| DC Resistance:     | 100 mOhms |