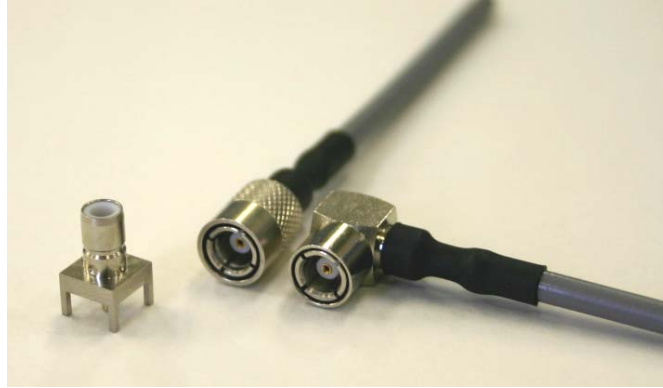




# N.UM Series

## Cost-effective SMB connectors

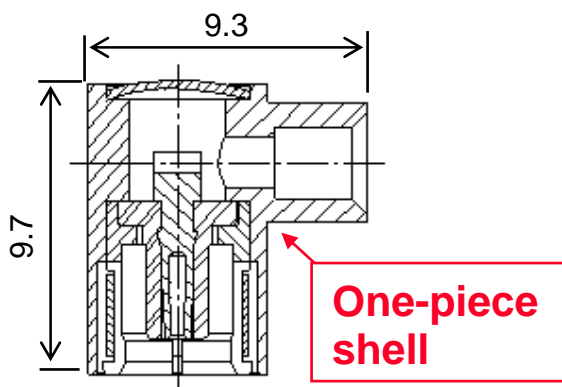
MKT-E-04034F



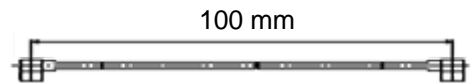
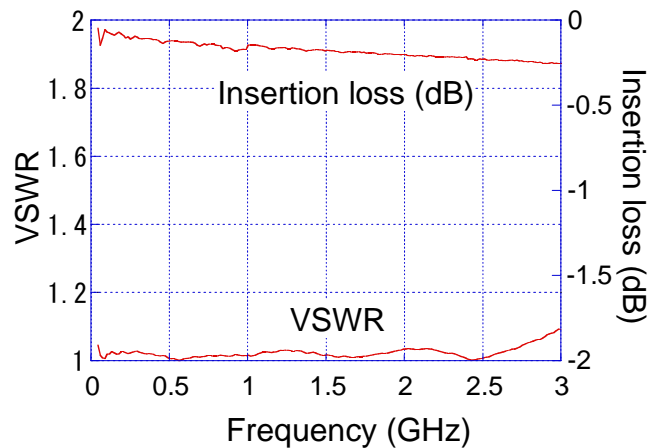
### ◆ Features

1. Cost-effective
2. Compliant to SMB connector specifications (MIL-C-39012-67, MIL-C-39012-68)
3. High frequency characteristics: VSWR 1.3 MAX up to 3 GHz

### ◆ Dimensions & Performance [N.UM-QLP-FCCAVG1]



- One-piece shell
- Small size



### ◆ Applications

Internal wiring for mobile phone base transmission stations, microwave devices, and electronic measuring equipment

Specifications herein are subject to change without notice. Contact Hirose for latest specifications, drawings or availabilities.