

# 規格承認書

PECIFICATION FOR APPROVAL

客戶  
CUSTOMER : 立創  
項目  
ITEM : 塑壳內磁喇叭  
型號  
TYPE : GSPK241505PN-8R0.8W-L100  
描述  
DESCRIPTION : 24.0 x 15.0 x 5.0MM 單磁 8Ω 0.8W UL1571/30# L100mm S.P.L: 115dB+/- 3dB  
客戶料號  
CUSTOMER NO. :  
規格書號  
SPECIFICATION NO.:  
版本  
EDITION NO. : V1.0  
日期  
DATE : 2020-7-21

## 客戶承認

### CUSTOMER CONFIRM AND SIGN

檢查 TESTED BY	審核 CHECKED BY	承認 APPROVED BY

## 東莞市贏海電子有限公司

### DONGUAN INGHAI ELECTRONICS CO.,LTD

製作 ISSUED BY	審查 CHECKED BY	確認 APPROVED BY
周明	刘承成	

地址：廣東省東莞市長安鎮上沙第五工業區新春 1 路新春科技園  
電話 / TEL: 0769-83060958 傳真 / FAX: 0769-81608993  
網址: [HTTP://WWW.INGHAI.COM](http://www.inghai.com)

# DONGGUAN INGHAI ELECTRONICS CO.,LTD

**Our Part No** : GSPK241505PN-8R0.8W-L100

**型号/PART No**

该规格书适用于移动电话等使用的扬声器单元。

This Specification Applies to The Speaker, Used In Mobilephone sec.

## A. 尺寸/TYPE

24\*15\*5mm 跑道形 电动式/ 24\*15mm Rectangle Dynamic type

## B. 尺寸与重量/DIMENSION

尺寸: 24\*15\*5 参考外观图面 (Figure.1)

Dimension: Refer To The Appearance Drawing. (Figure.1)

重量:  $\pm 0.1g$

Weight:  $\pm 0.1g$

## C. 标准测试条件/STANDARD TEST CONDITION

在没有其他特别指定时, 测试应如下所记的标准测试条件下进行。

Unless Otherwise Specified, The Test Shall Be Made Under The Standard Conditions.

- 温度/Temperature :  $17^{\circ}\text{C}\sim 25^{\circ}\text{C}$  (Standard:  $20.5^{\circ}\text{C}$ )
- 相对温度/Relative Humidity :  $45\%\sim 85\%$  (Standare: 65%)
- 大气压力/Pressure :  $86\text{Kpa}\sim 106\text{Kpa}$  (Standard: 101.3 Kpa)

## D. 使用与储存温度/OPERATION AND STORAGE TEMIPERATURE

- 使用温度/Operation Temperature :  $-40^{\circ}\text{C}\sim 85^{\circ}\text{C}$
- 储存温度/Storage Temperature :  $-30^{\circ}\text{C}\sim 70^{\circ}\text{C}$

## E. 电气特性规格/Electrical Specification

参考特性规格页面/Refer To The Appearance Page

## F. 外观与尺寸: 参考附图

Appearance&Dimensions: Refer To The Apprarence Drawtng (Figure.1)

## G. 额定/Rated

项目/Items	规格/Specification	条件/Conditions
额定阻抗/Rated Impedance	8Ohm±20%	at 1kHz 100 mV
额定输入功率/Rated input power	0.8W	
最大输入功率/Max input power	1.0W	
最低共振频率 /Resonant Frequency	800±20% Hz	1V Input
灵敏度/Sound pressure level	115dB±3dB at 1KHz (0dB SPL=20μPa)	SPL at <b>1.0kHz</b> in Average (0dB SPL=20μPa) Measuring condition: <b>0.8W</b> (Sine wave) <b>0.1m</b> measured with baffler shown in Figure3
有效频率范围 /Frequency response	FO~20KHZ	
总谐波失真/THD	≤5% at 1kHz	at 1kHz 0.1W

## H. 动作检查/OPERATIONAL TEST

项目/ITEM	信号/SIGNAL	输入/INPUT	扫频范围/SWEEP RANGE
SWEEP TEST	Sine Wave	0.8W(2.53V)	200~5000Hz

- 在动作检查中不得有异常音出现
- Without Abnormal Sound In Operation Test.

## I. 负荷实验/LOAD TEST

项目/ITEM	信号/SIGNAL	I 输入/INPUT	驱动时间 DRIVING TERM
Continuous load Test	With Noise/Jis Filter (Refer To Jis C5531)	0.8W(2.53V) (RMS)	96hours (with 5cc test box)

- 在负荷实验 后不得有异常音出现,灵敏度应保持在限度范围内。
- Without Abnormal Sound After Test, And The S.P.L Shall Be In The Limit.
- 负荷实验应使用粉红噪声信号
- Runing Test Shall Use pink Noise Signal

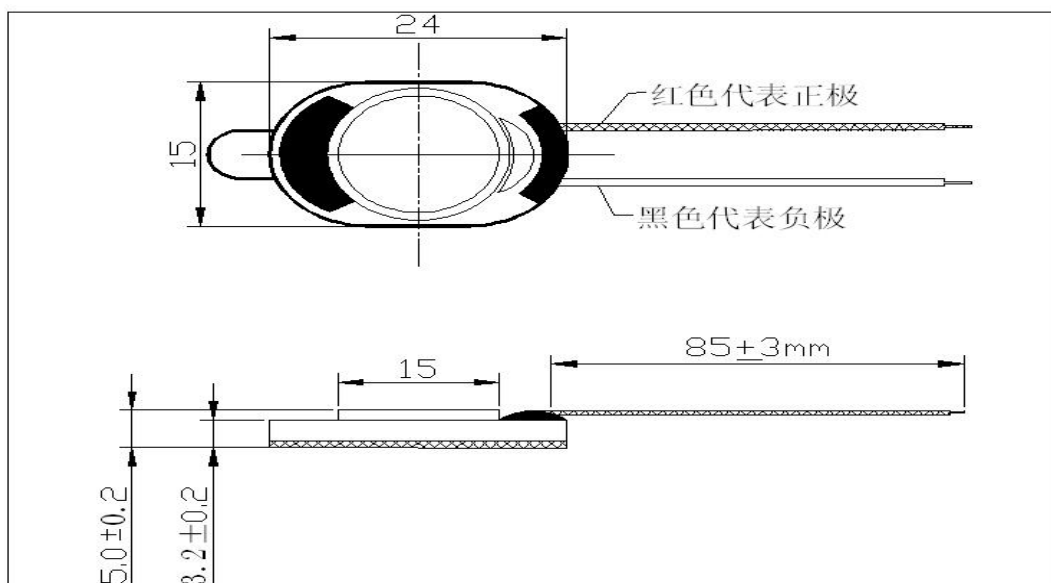
## J. 可靠性实验/Reliability Test

项目/Item	规格/Specification	判定/Judgement
高温放置实验 Hightemp.Storage Test	85°C±2°C/20~40%RH/96HR & 20°C±5°C,1H	实验完成后产品应满足上述第 H, I, J 项要求. Clause H, I, J Shallbe Satisfied Afier Test
低温放置实验 Lowtemp.Storage Test	-40±2°C/20~40%RH/96HR & 20°C±5°C,1H	
耐湿实验 Humidity Test	40°C±2°C/90~95%RH/96HR & 20°C±5°C,1H	
耐高温负荷实验 Heatrunning Test	85°C±2°C/20~40%RH/-	
耐低温负荷实验 Coldrunning Test	-40°C±2°C/20~40%RH/-	
热冲击实验 Thermalshock Test	+85°C±2°C—30°C±2°C—+85°C±2°C 5Cycles	
震动实验 Vibration Test	10Hz—40Hz—10Hz/60s, 1.0mm (X: 2H, Y: 2B)	

## K. 跌落实验/SHOCK TEST

项目/Item	条件/Condition	判定/Judgement
Drop Test	产品在包装状态下,从 1 米高处向混凝土地面跌落:1角:1次:3边:每条边1次:6面:每 1 面 1 次 Speaker Shall Be Packed In The Carton And Dropped The Concritre Floor(H:1m)	实验完成后新产品应满足上述第 I 项要求 Clause I Shallbe Satisfied Afier Test

## L. Product Size



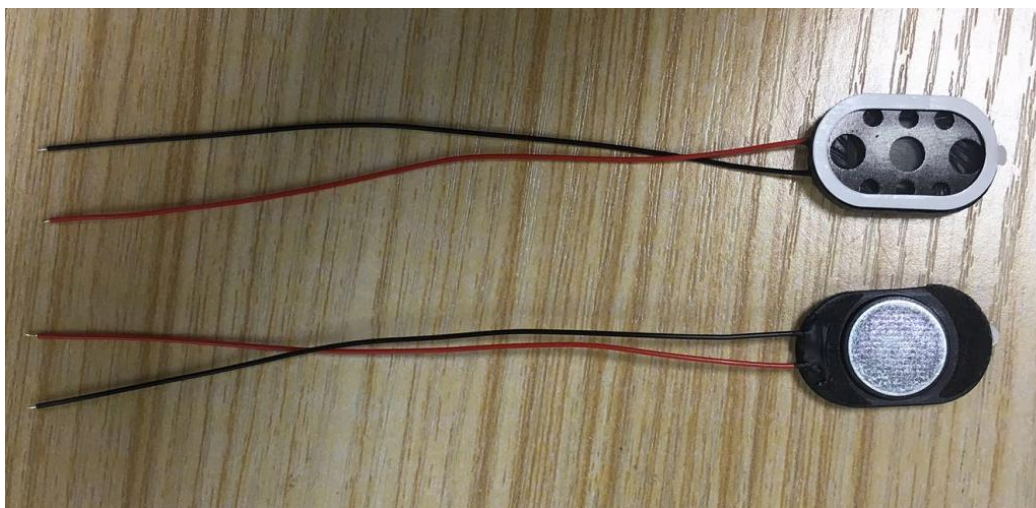


Figure.1

ITEM	DESCRIPTIONS	SPEC.	SUPPLIER	QTY	REMARK
1	Front foam ring	Adhesive		1	
2	Front cover	1Cr18Ni9		1	
3	Diaphragm	PEN		1	
4	Voice coil	Self-bonding wire		1	
5	Inner pole shoe	08F,		1	
6	Magnet	Nd-Fe-B		1	
7	U YOKE	SPCE		1	
8	PCB	T0.35		1	
9	Lead wire	UL1571AWG32#		2	
10	Yoke assembly	PBT, black		1	
11	Insulator pad	Mylar		0	

### M. Product testing curve

