

PLEASE CHECK WWW.MOLEX.COM FOR LATEST PART INFORMATION

Part Number: [0449140203](#)
Status: **Active**
Overview: [microfit 30](#)
Description: 3.00mm (.118") Pitch Micro-Fit 3.0 CPI™ Header, Dual Row, Vertical, Compliant Pin Interface, 2 Circuits, LCP, Glass-Filled, UL 94V-0, 0.76µm (30µ") Gold (Au) Selective Contact Plating, Tin/Lead (Sn/Pb) Plated Tails, Glow Wire Compatible

Documents:

[3D Model](#) [RoHS Certificate of Compliance \(PDF\)](#)
[Drawing \(PDF\)](#)

Agency Certification

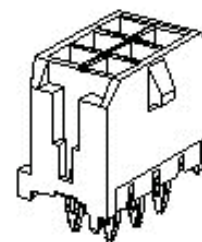
| | |
|-----|-----------|
| CSA | LR19980 |
| TUV | R72081037 |
| UL | E29179 |

General

| | |
|-------------------------------|---|
| Product Family | PCB Headers |
| Series | 44914 |
| Application | Wire-to-Board |
| Application Tooling Part Link | 622008400 |
| Comments | Glow Wire Equivalent Part Number 449140203 . High Temperature, Square Pin |
| Overview | microfit 30 |
| Product Literature Order No | USA-106 |
| Product Name | Micro-Fit 3.0 CPI™ |

Physical

| | |
|--------------------------------|------------------------------|
| Breakaway | No |
| Circuits (Loaded) | 2 |
| Circuits (maximum) | 2 |
| Durability (mating cycles max) | 30 |
| Flammability | 94V-0 |
| Glow-Wire Compliant | Yes |
| Lock to Mating Part | Yes |
| Material - Metal | High Performance Alloy (HPA) |
| Material - Plating Mating | Gold |
| Material - Plating Termination | 90/10 Tin Lead |
| Number of Rows | 2 |
| Orientation | Vertical |
| PCB Locator | Yes |
| PCB Retention | Yes |
| Packaging Type | Tray |
| Pitch - Mating Interface (in) | 0.118 In |
| Pitch - Mating Interface (mm) | 3.00 mm |
| Plating min: Mating (µin) | 30 |
| Plating min: Mating (µm) | 0.75 |
| Plating min: Termination (µin) | 50 |
| Plating min: Termination (µm) | 1.25 |
| Polarized to Mating Part | Yes |
| Polarized to PCB | Yes |
| Shrouded | Fully |
| Stackable | No |
| Surface Mount Compatible (SMC) | No |
| Temperature Range - Operating | -40°C to +105°C |
| Termination Interface: Style | Through Hole - Compliant Pin |



Series

image - Reference only

EU RoHS

RoHS Compliant by Exemption

REACH SVHC

Contains SVHC: No

Halogen-Free

Status

Halogen-Free

China RoHS

RoHS Compliant by Exemption



Pb

Need more information on product environmental compliance?

Email productcompliance@molex.com
 For a multiple part number RoHS Certificate of Compliance, [click here](#)

Please visit the [Contact Us](#) section for any non-product compliance questions.

Search Parts in this Series

[44914Series](#)

Mates With

[43025-0200](#) Receptacle

Application Tooling | FAQ

Tooling specifications and manuals are found by selecting the products below. Crimp Height Specifications are then contained in the Application Tooling Specification document.

Global

| Description | Product # |
|---------------------|----------------------------|
| Micro-Fit™ | 0622008400 |
| Compliant Pin | |
| Insertion Flat Rock | |
| Tool | |

Electrical

| | |
|-------------------------------|------|
| Current - Maximum per Contact | 5A |
| Voltage - Maximum | 250V |

Solder Process Data

| | |
|--|------------|
| Replacement RoHS Compliant Part Number | 0449145203 |
|--|------------|

Material Info**Reference - Drawing Numbers**

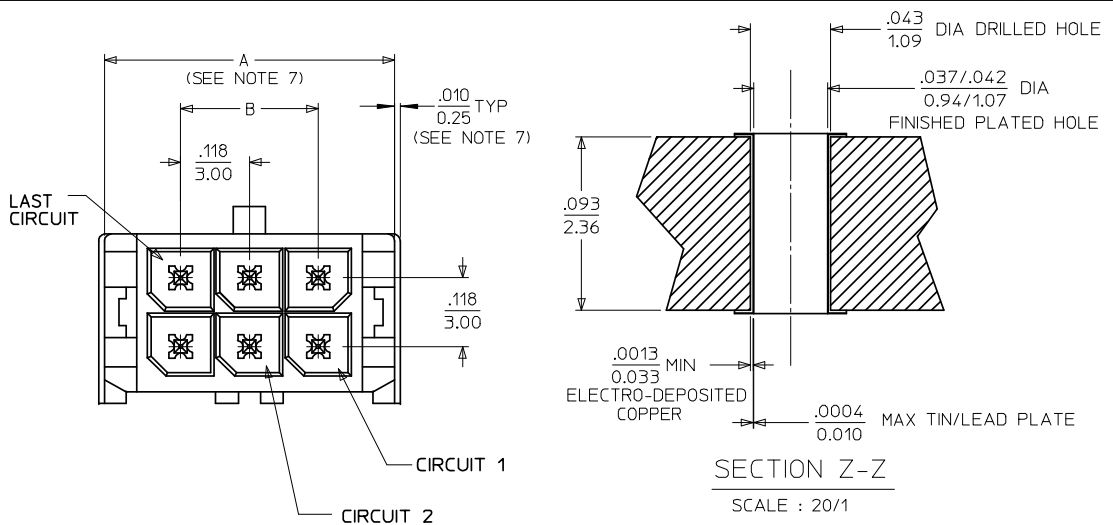
| | |
|-------------------------|---------------|
| Packaging Specification | PK-70873-0314 |
| Sales Drawing | SD-44914-001 |

This document was generated on 05/24/2010

PLEASE CHECK WWW.MOLEX.COM FOR LATEST PART INFORMATION

13 12 11 10 9 8 7 6 5 4 3 2 1

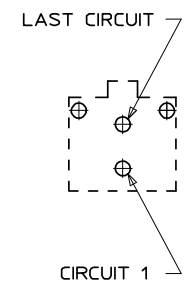
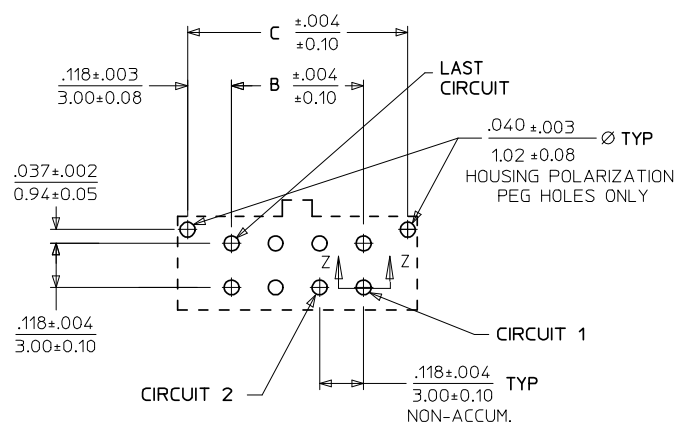
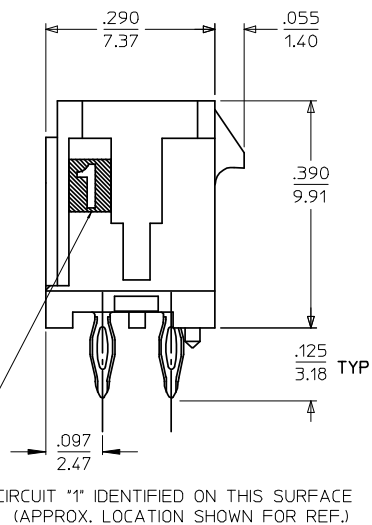
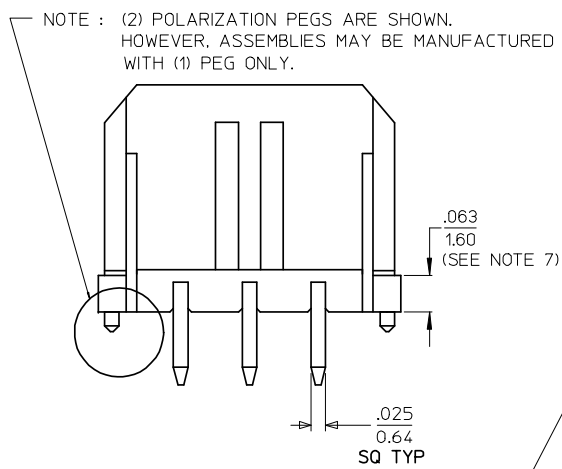
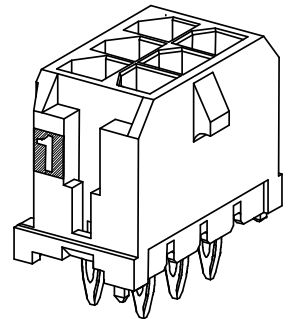
J
I
H
G
F
E
D
C
B
A



| | FINISH: A | FINISH: B | FINISH: C |
|------|--------------|--------------|--------------|
| CKTS | MATERIAL NO: | MATERIAL NO: | MATERIAL NO: |
| 02 | 44914-0201 | 44914-0202 | 44914-0203 |
| 04 | 44914-0401 | 44914-0402 | 44914-0403 |
| 06 | 44914-0601 | 44914-0602 | 44914-0603 |
| 08 | 44914-0801 | 44914-0802 | 44914-0803 |
| 10 | 44914-1001 | 44914-1002 | 44914-1003 |
| 12 | 44914-1201 | 44914-1202 | 44914-1203 |
| 14 | 44914-1401 | 44914-1402 | 44914-1403 |
| 16 | 44914-1601 | 44914-1602 | 44914-1603 |
| 18 | 44914-1801 | 44914-1802 | 44914-1803 |
| 20 | 44914-2001 | 44914-2002 | 44914-2003 |
| 22 | 44914-2201 | 44914-2202 | 44914-2203 |
| 24 | 44914-2401 | 44914-2402 | 44914-2403 |

| CKTS | A (SEE NOTE 7) | B | C |
|------|-------------------|----------------|----------------|
| 02 | .262 6.65 | NA | .236 6.00 |
| 04 | .380 9.65 | .118 3.00 | .354 9.00 |
| 06 | .498 12.65 | .236 6.00 | .472 12.00 |
| 08 | .616 15.65 | .354 9.00 | .591 15.00 |
| 10 | .734 18.65 | .472 12.00 | .709 18.00 |
| 12 | .852 21.65 | .591 15.00 | .827 21.00 |
| 14 | .970 24.65 | .709 18.00 | .945 24.00 |
| 16 | 1.088 27.65 | .827 21.00 | 1.063 27.00 |
| 18 | 1.206 30.65 | .945 24.00 | 1.181 30.00 |
| 20 | 1.325 33.65 | 1.063 27.00 | 1.299 33.00 |
| 22 | 1.443 36.65 | 1.181 30.00 | 1.417 36.00 |
| 24 | 1.561 39.65 | 1.299 33.00 | 1.535 39.00 |

SECTION Z-Z
SCALE : 20/1



NOTES:

- HOUSING MATERIAL: GLASS FILLED LIQUID CRYSTAL POLYMER, UL94V-0, COLOR: BLACK
TERMINAL MATERIAL: MODIFIED TIN/BRASS ALLOY
- FINISH: A = .000200/(0.0051) MIN. TIN OVER .000050/(0.0013) MIN. NICKEL PLATE.
B = .000015/(0.00038) MINIMUM GOLD IN SELECTIVE AREA,
.000060/(0.00152) MINIMUM TIN/LEAD (90/10) ON PCB TAILS,
BOTH OVER .000050/(0.00127) MINIMUM NICKEL PLATE.
C = .000030/(0.00076) MINIMUM GOLD IN SELECTIVE AREA,
.000060/(0.00152) MINIMUM TIN/LEAD (90/10) ON PCB TAILS,
BOTH OVER .000050/(0.00127) MINIMUM NICKEL PLATE.
- PRODUCT SPECIFICATION: PS-43045
- TRAY PACKAGED: SEE MOLEX DRAWING PK-70873-0314
- MATES WITH MICRO FIT (3.0) RECEPTACLE SERIES 43025
- HEADER INSTALLATION REQUIRES A MINIMUM FORCE OF 24LBS/(107 N) PER CIRCUIT DISTRIBUTED EQUALLY ACROSS THE ENTIRE HOUSING SURFACE.
- .010/0.25 OFFSETS ARE PRESENT ON ALL PARTS MANUFACTURED AFTER 11/1/2007, AND ON PARTS PRIOR TO 11/1/2007 THAT CONTAIN A GREEN DOT ON THE PRIMARY SHIPPING CARTON LABEL.
- THIS PART CONFORMS TO CLASS B REQUIREMENTS OF COSMETIC SPECIFICATION PS-45499-002.

PCB LAYOUT: COMPONENT SIDE
RECOMMEND PCB THICKNESS: .093/2.36

PCB LAYOUT: 2 CKT HEADER

| | | | | | | |
|--|-----------------|--|-----------------------|---|---|------------------------|
| ADD .097 DIM. NOTE 8 EC NO: UCP2008-0324 DRWN:MKI/PPER 2007/12/19 CHKD:SSOUSEK 2007/12/20 APPR:FSMLTH 2007/12/21 | QUALITY SYMBOLS | GENERAL TOLERANCES (UNLESS SPECIFIED) | DIMENSION STYLE IN/MM | SCALE --- | DESIGN UNITS METRIC | THIRD ANGLE PROJECTION |
| | ▽=0 | mm INCH | DRAWN BY BURLESON | DATE 2001/08/30 | TITLE MICRO FIT HEADER VERTICAL COMPLIANT PIN TRAY PACKED | |
| | ▽=0 | 4 PLACES ± --- ± --- 3 PLACES ± --- ± .010 2 PLACES ± .25 ± .014 1 PLACE ± 0.36 ± --- | CHECKED BY MUELLER | DATE 2001/08/30 | MOLEX MOLEX INCORPORATED | |
| | ANGULAR ±1/2° | APPROVED BY MARGULIS | DATE 2001/08/30 | DOCUMENT NO. SD-44914-001 | | |
| H2 | REV | DRAFT WHERE APPLICABLE MUST REMAIN WITHIN DIMENSIONS | SEE CHART | SHEET NO. 1 OF 1 | | |
| | | | SIZE C | THIS DRAWING CONTAINS INFORMATION THAT IS PROPRIETARY TO MOLEX INCORPORATED AND SHOULD NOT BE USED WITHOUT WRITTEN PERMISSION | | |

12 11 10 9 8 7 6 5 4 3 2 1