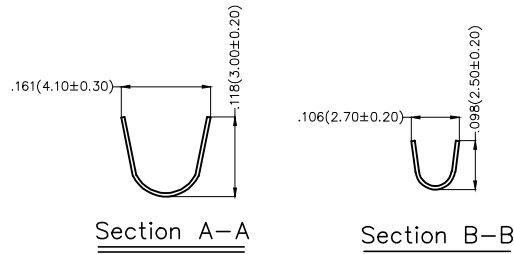
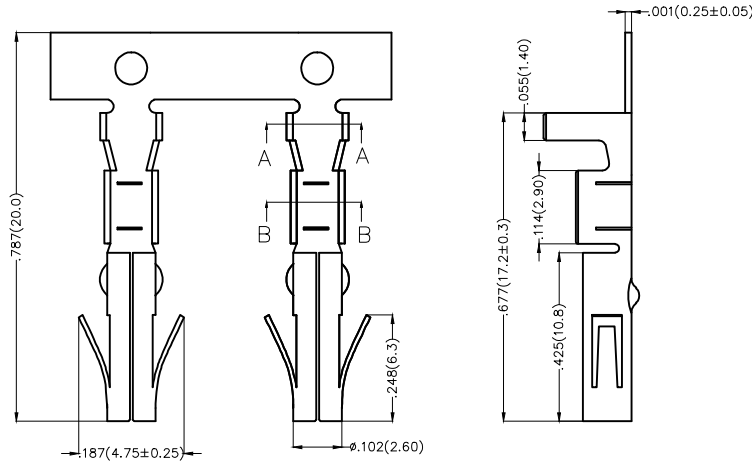


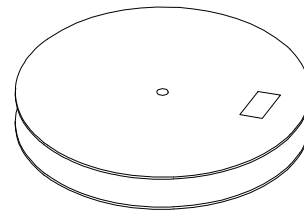
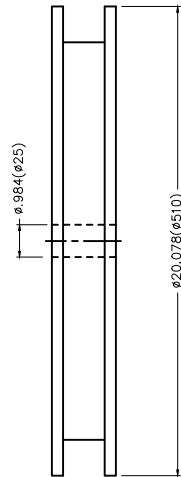
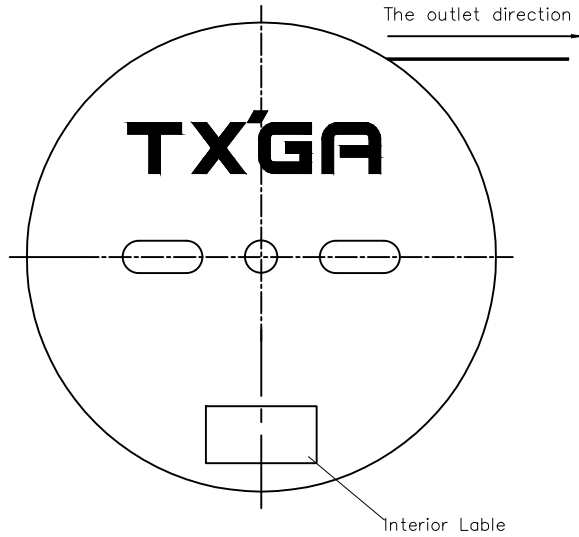
REV	LOCATIONS	DESCRIPTION	DATE	REVISER	APPD

Electrical  
Material: Phosphor Bronze  
Plating: Tin-Plated  
Wire Range: 16AWG~24AWG  
Applicable Housing: FHG50801 Series  
Minimum Order Quantity : 8,000 PCS

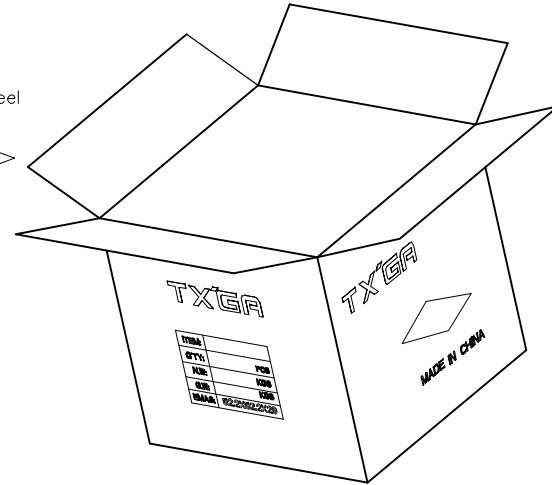


 THIRD ANGLE PROJECTION	GENERAL TOLERANCES (UNLESS SPECIFIED)		APPROVE BY FRANK	DATE 18/JUN/13	PART NO. FT50802-F2H	ITEM NO. FT50802	 Leader Of Industry	
	X.±.012(0.30)	X.'±5'	CHECKED BY JACOB	DATE 18/JUN/13	TITLE Wire to Board Pitch 5.08mm(Terminal)			REV 0
	DESIGN UNITS Inch (metric)	X.X±.008(0.20)	X'±2'	DRAWN BY CHERRY	DATE 18/JUN/13	THIS DRAWING CONTAINS INFORMATION THAT IS PROPRIETARY TO TXGA INDUSTRIAL ELECTRONICS(S.Z)CO.,LTD AND SHOULD NOT BE USED WITHOUT WRITTEN PERMISSION		
	SCALE 5:1	SIZE A4	X.XX±.006(0.15)	X'±1'	X.XXX±.004(0.10)	X'±0.5'		

REV	LOCATIONS	DESCRIPTION	DATE	REVISER	APPD



8,000Pcs/Reel



<p>THIRD ANGLE PROJECTION</p>	GENERAL TOLERANCES (UNLESS SPECIFIED)		APPROVE BY	DATE	PART NO.	ITEM NO.	<p>Leader Of Industry</p>	
	X.±.012(0.30)	X.'±5'	FRANK	18/JUN/13	FT50802-F2H	FT50802		
	DESIGN UNITS Inch (metric)	X.X±.008(0.20)	.X'±2'	CHECKED BY	DATE	TITLE		<p>REV 0</p> <p>SHEET NO. 2/2</p>
	SCALE	X.XX±.006(0.15)	.XX'±1'	JACOB	18/JUN/13	Wire to Board Pitch 5.08mm(Terminal)		
5:1	X.XXX±.004(0.10)	.XXX'±0.5'	DRAWN BY	DATE	THIS DRAWING CONTAINS INFORMATION THAT IS PROPRIETARY TO TXGA INDUSTRIAL ELECTRONICS(S.Z)CO.,LTD AND SHOULD NOT BE USED WITHOUT WRITTEN PERMISSION			
A4			CHERRY	18/JUN/13				