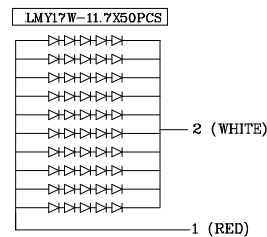
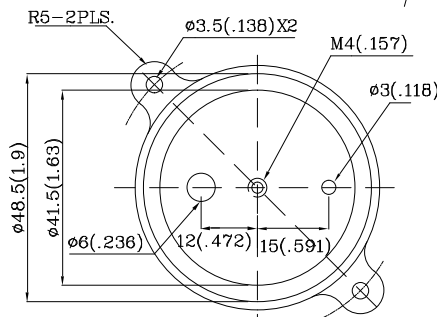
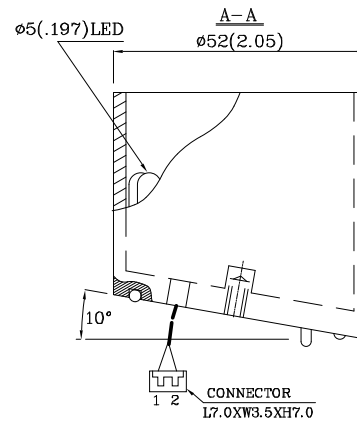
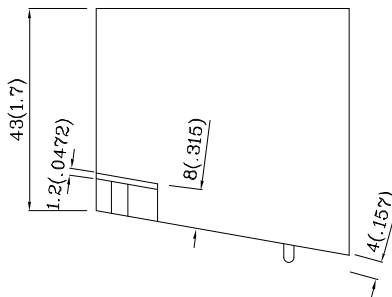
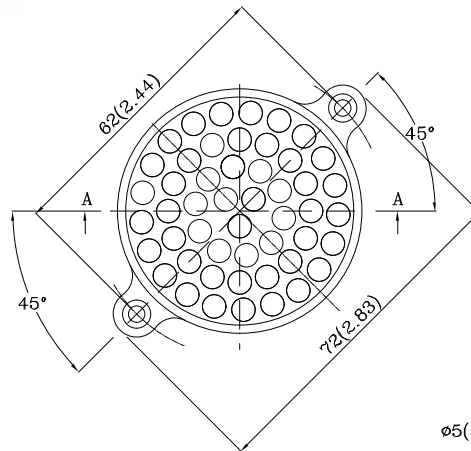




Features

- WATERPROOF CONSTRUCTION.
- SUITABLE FOR OUTDOOR APPLICATIONS, SIGNBOARD OR MESSAGE BOARD, ETC.
- BOTH SINGLE COLOR AND MULTI-COLOR (RED, GREEN & ORANGE) ARE AVAILABLE.
- RoHS COMPLIANT.



Notes:

1. All dimensions are in millimeters (inches).
2. Tolerance is $\pm 0.25(0.01)$ unless otherwise noted.
3. Specifications are subject to change without notice.



Electrical / Optical Characteristics at TA=25°C

Symbol	Parameter	Device	Min	Typ.	Max.	Units	Test Conditions
Iv	Luminous Intensity	K50MYW23	10000	23990	-	mcđ	IF=200mA
2 θ1/2	Viewing Angle		-	40	-	deg	-
V _F	Forward Voltage		-	10	12	V	IF=200mA
λ _p	Wavelength of Peak Emission		-	590	-	nm	IF=200mA
λ _D	Wavelength of Dominant Emission		-	588	-	nm	IF=200mA
Δλ 1/2	Spectral Line Full Width At Half-Maximum		-	28	-	nm	IF=200mA
I _R	Reverse Current		-	-	100	uA	V _R = 5V

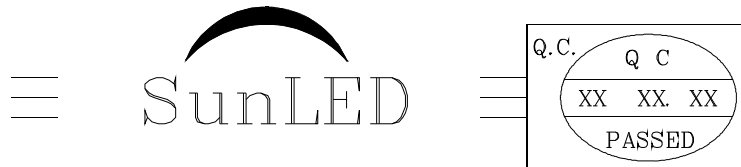
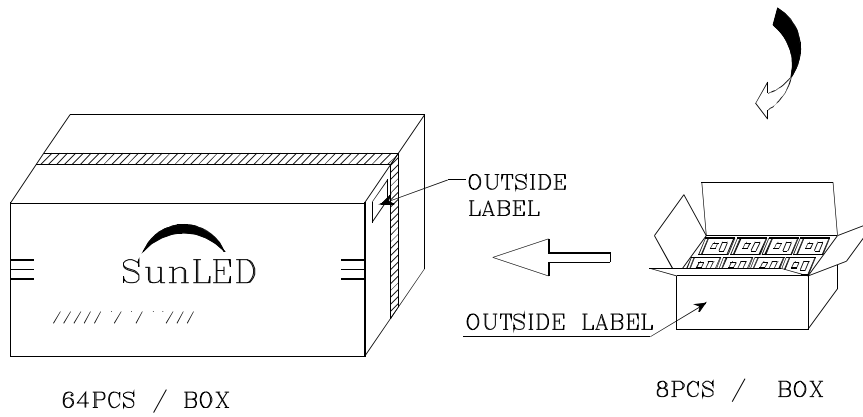
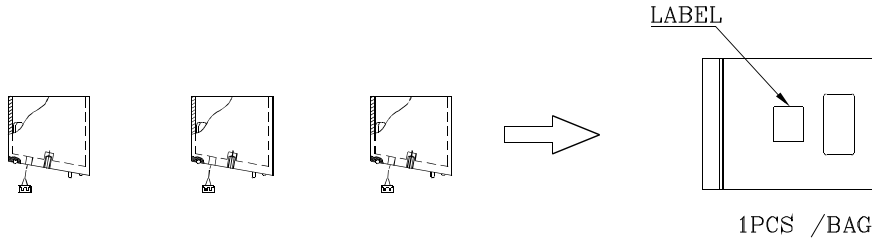
Absolute Maximum Ratings at TA=25°C


Parameter	Type	Units
Power Dissipation	2900	mW
DC Forward Current	300	mA
Reverse Voltage	5	V
Operating Temperature	-40°C To +70°C	
Storage Temperature	-40°C To +85°C	



PACKING & LABEL SPECIFICATIONS

K50MYW23



P/NO : K50xxx	
QTY : 1 pcs	CODE: XXX
S/N : XX	
LOT NO:	
 XXXXXXXXXXXXXXXXXXXXXXXX	
RoHS Compliant	