

- Designed to comply with the requirements of UL1950 and EN60950 to provide a supplementary insulation barrier with a working voltage of 250V
- UL File Number E150991
- Minimum interwinding breakdown voltage of 1500 Vrms
- Operating and storage temperature range -40° to +85°C
- Meets IEC 695, 2-2 flammability requirements
- PWB Process Capability: standard printed wiring board assembly techniques, total-immersion cleaning
- Reliability testing: shock, vibration, temperature cycling, temperature - humidity - bias

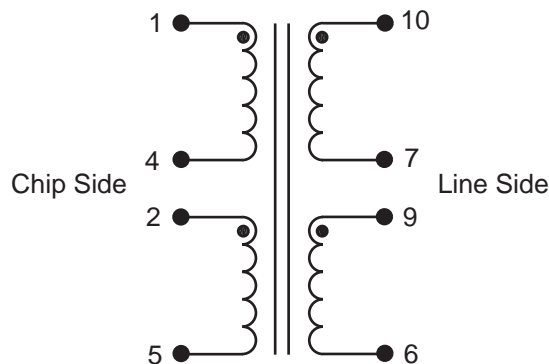
ELECTRICAL SPECIFICATIONS at 25° C

Part Number	Turns Ratio ±2%	Inductance ¹ µH ±5%	Leakage Inductance ² µH max	DCR Ω max		Longitudinal Balance ⁴ dB max	Insertion Loss ⁴ dB max	Frequency Response ⁴ dB max	Harmonic Distortion ⁴ dB max
	(1-5) : (10-6)	(10-6)	(10-6)	(1-4) & (2-5)	(10-7) & (9-6)	20kHz - 500kHz	100kHz	40kHz - 500kHz	100kHz
S560-6600-L3	1 : 2	470	10	0.50	1.25	-55	0.50	±0.30	-80

1. Inductance measured at 10 kHz, 0.1Vac . Connect terminals 7 to 9.
2. Leakage inductance measured at 100 kHz, 0.1 Vac. Connect terminals 2 to 4 and 7 to 9. Short terminals 1, 2, 4 and 5.
3. Interwinding capacitance measured at 1 kHz, 1 Vac.
4. Measurements made with 100 Ω source and 25Ω load impedance.
5. DCR requirements are for each winding.

SCHEMATIC

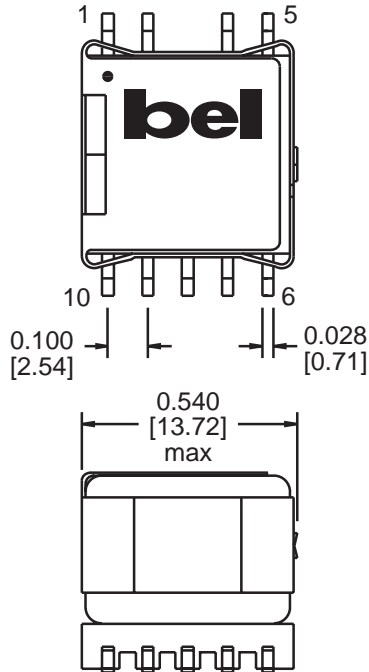
S560-6600-L3



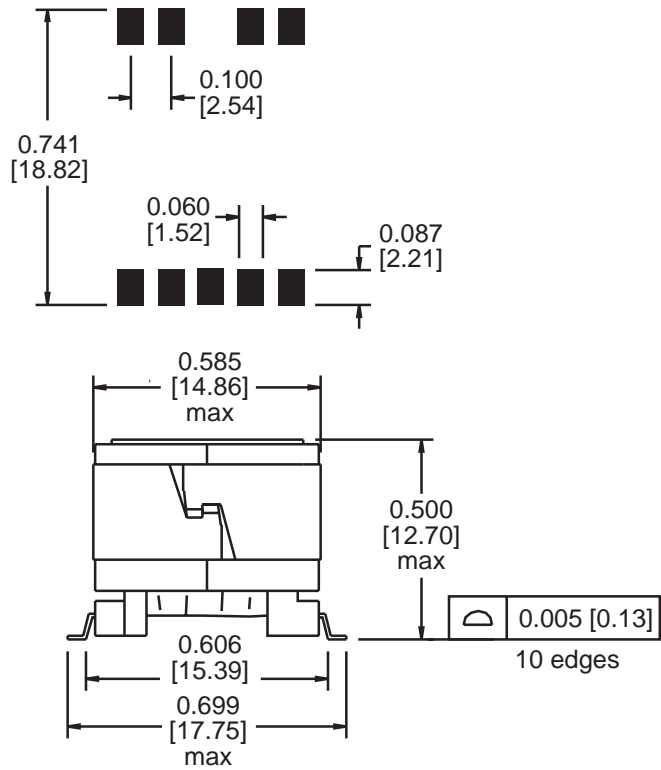
TM01337

MECHANICAL

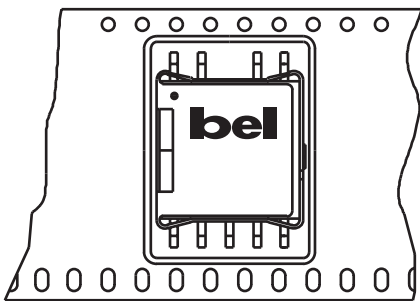
S560-6600-L3



Suggested PCB Pad Layout



Dimensions are in inches [millimeters].
 Standard dimension tolerance is ± 0.005 [0.13] unless otherwise noted.



➔ User Feed Direction

Orientation of Component Inside Pocket

Tape and Reel Packaging

32 mm wide by 24 mm pitch; 13 inch OD, 4 inch ID
 200 components per reel, maximum
 Meets ANSI/EIA 481-2 Carrier Tape Standards

©2001 Bel Fuse Inc. Specifications subject to change without notice. 05.01

CORPORATE

Bel Fuse Inc.
 206 Van Vorst Street
 Jersey City, NJ 07302
 Tel 201-432-0463
 Fax 201-432-9542
 www.belfuse.com

FAR EAST

Bel Fuse Ltd.
 8F / 8 Luk Hop Street
 San Po Kong
 Kowloon, Hong Kong
 Tel 852-2328-5515
 Fax 852-2352-3706
 www.belfuse.com

EUROPE

Bel Fuse Europe Ltd.
 Preston Technology Management Centre
 Marsh Lane, Suite G7, Preston
 Lancashire, PR1 8UD, U.K.
 Tel 44-1772-556601
 Fax 44-1772-888366
 www.belfuse.com