

PROPER USE GUIDELINES

Cumulative Trauma Disorders can result from the prolonged use of manually powered hand tools. Hand tools are intended for occasional use and low volume applications. A wide selection of powered application equipment for extended-use, production operations is available.

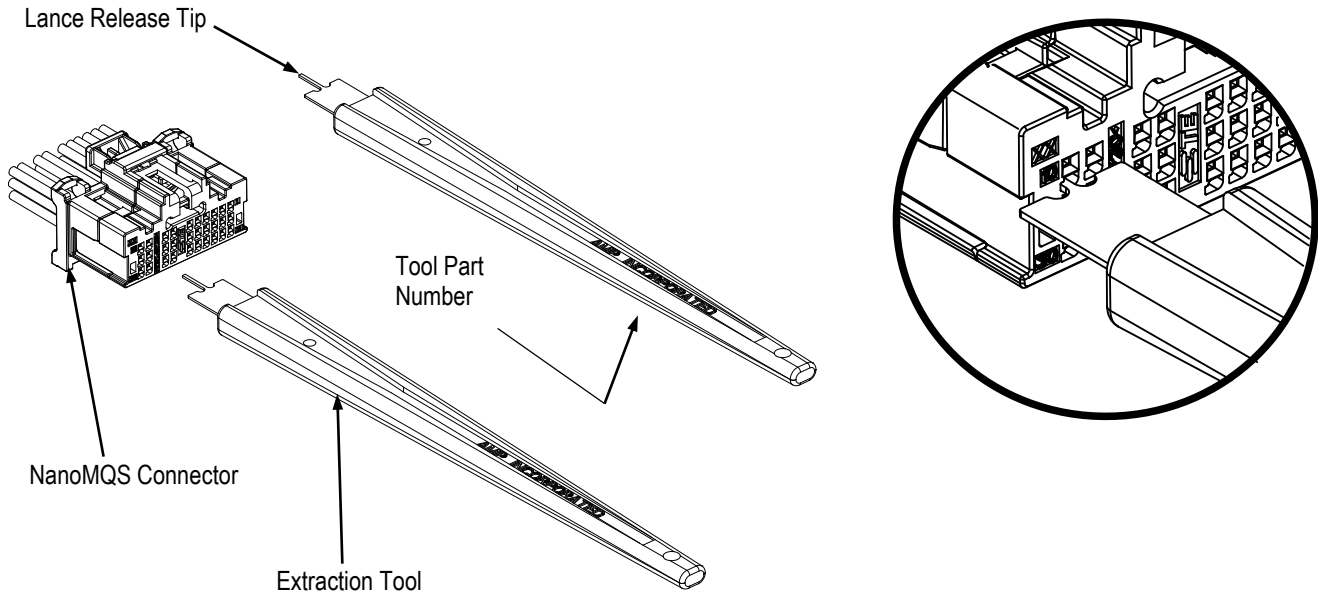


Figure 1

1. INTRODUCTION

This instruction sheet describes the use of Extraction Tool 2280687-1. This tool is designed to remove NanoMQS contacts (1703930-[] and 2272196-[]) from NanoMQS plug assemblies.

Read these instructions thoroughly before attempting to remove any contacts.



NOTE

All dimensions are in millimeters [followed by inches in brackets]. Figures and illustrations are for reference only and are not drawn to scale.

2. DESCRIPTION

Each tool features a handle marked with the specific part number and a contact lance release tip. The contact lance release tip depresses the contact locking lance to allow extraction of the contact.

3. EXTRACTION PROCEDURE

These steps are recommended: see Figure 2.

1. Orient the tool as shown with respect to the connector and wire being extracted.
2. Insert tool tip into BACK of lance cavity until tool stops. The tip of the tool will bottom in the back of the housing. See detail for correct placement.
3. Holding tool in position, grip wire and pull contact out of housing.
4. Remove tool from housing.
5. Repeat as required.

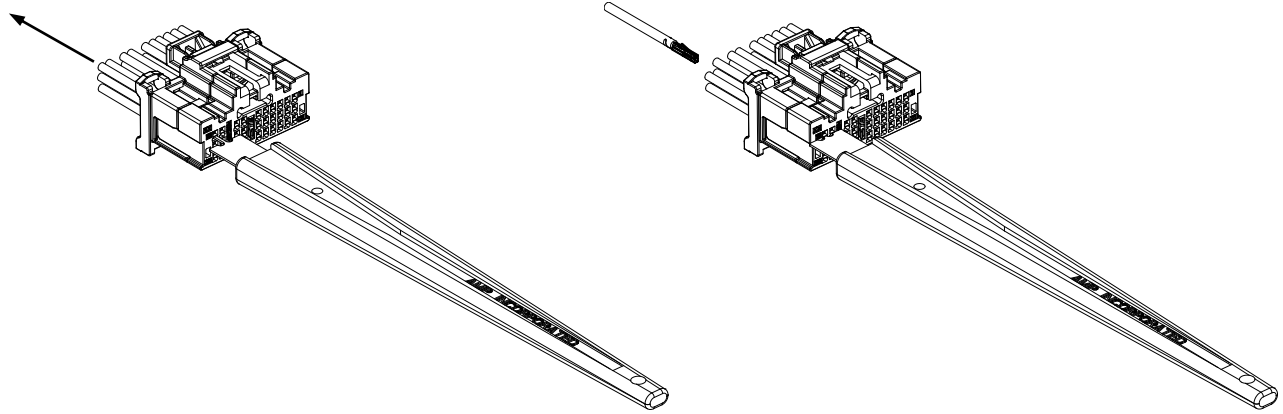


Figure 2

4. TOOL INSPECTION/MAINTENANCE

It is recommended that each tool be inspected upon its arrival to be sure it has not been damaged in transit, and at regularly scheduled intervals to be sure it remains functional.

5. REVISION SUMMARY

- Initial release of document