

# MC-7200-DC-CP-T Series

Intel® 3rd Gen Core™ CPU marine computer with DNV GL certification, 4 serial ports, 4 Gigabit Ethernet ports, and 6 USB ports



## Features and Benefits

- Intel® Core™ processor: i7 3555LE, i3 3120ME, or Celeron 1047UE
- Compact size with fanless design
- 3 independent displays (DVI-D x 2 + VGA x1)
- 4 Gigabit Ethernet ports for network redundancy
- 2 SATA drive slots for greater storage capacity
- -40 to 70°C operating temperature range
- Supports Moxa Proactive Monitoring software

## Certifications



## Introduction

The MC-7200-DC-CP-T computer features the Intel® Core™ i7 3555LE processor and comes with 4 serial ports, 4 Gigabit Ethernet ports, and 6 USB hosts. The computer offers high-performance and versatile peripherals for marine applications.

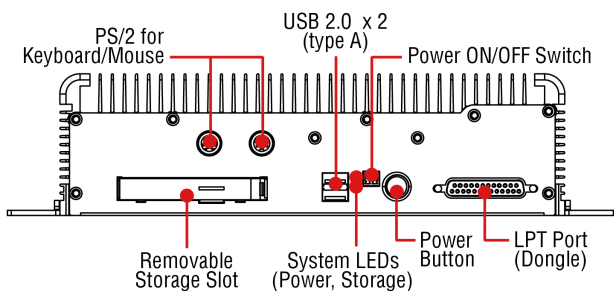
Designed with high quality and durability in mind, the marine-grade MC-7200-DC-CP-T computer features a rugged chassis proven against 1G vibrations, providing a reliable platform even in harsh environments. In addition, the compact size, fanless design, and low power consumption deliver an optimal thermal solution and make installation easy for bridge systems in marine applications.

Users can easily install Windows XP Embedded, Windows XP Professional, or Windows 7 to provide a flexible and friendly environment for system development and application implementation.

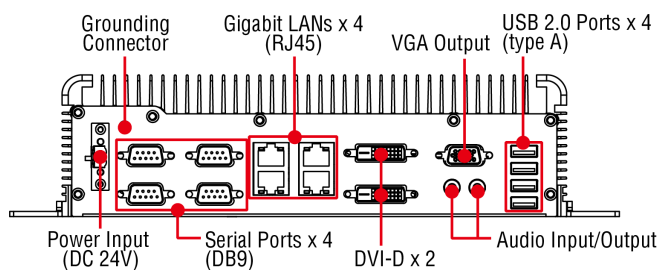
The MC-7200-DC-CP-T supports the Moxa Proactive Monitoring software, which is a small-footprint, resource-friendly, easy-to-use utility that allows users to track a number of system parameters. Users can view the current parameter values for these key parts by simply clicking on the icons corresponding to the parameters in the user interface. User-defined key part indicators (KPIs) are used to monitor the computer's key parts. Visible and/or audio alerts are triggered automatically via relay and SNMP traps when these KPIs exceed their preset threshold values, making it extremely convenient for operators to avoid system downtime by setting up predictive maintenance tasks well in advance.

## Appearance

### Front View



### Rear View



## Specifications

### Computer

CPU	Intel® Celeron® Processor 1047UE (2M Cache, 1.40 GHz) Intel® Core™ i3-3210 Processor (3M Cache, 3.20 GHz) Intel® Core™ i7-3555LE Processor (4M Cache, up to 3.20 GHz)
System Chipset	Mobile Intel® QM77 Express Chipset

Graphics Controller	Intel® HD Graphics 4000 (integrated)
System Memory Pre-installed	4 GB DDR3/DDR3L
System Memory Slot	SODIMM DDR3/DDR3L slot x 2
Supported OS	Windows Embedded Standard 7 (WS7E) 32-bit Windows Embedded Standard 7 (WS7E) 64-bit Windows 10 Embedded IOT Ent 2016 LTSB High End EPKEA Windows 10 Embedded IOT Ent 2016 LTSB Value EPKEA

#### Computer Interface

Ethernet Ports	Auto-sensing 10/100/1000 Mbps ports (RJ45 connector) x 4
Serial Ports	RS-232 ports x 2 (DB9 male) RS-232/422/485 ports x 2, software selectable (DB9 male)
USB 2.0	USB 2.0 hosts x 6, type-A connectors
Audio Input/Output	Line in x 1, Line out x 1, 3.5 mm phone jack
LPT port	1, 25-pin D-sub
PS/2	Keyboard PS/2 x 1, Mouse PS/2 x 1
Video Output	DVI-D x 2, 29-pin DVI-D connectors (female) VGA x 1, 15-pin D-sub connector (female)

#### LED Indicators

System	Power x 1 Storage x 1
LAN	2 per port (10/100/1000 Mbps)

#### Serial Interface

Baudrate	50 bps to 115.2 kbps
Connector	DB9 male
Data Bits	5, 6, 7, 8
Flow Control	ADDC® (automatic data direction control) for RS-485 RTS/CTS, XON/XOFF
Isolation	N/A
Parity	None, Even, Odd, Space, Mark

#### Serial Signals

RS-232	TxD, RxD, RTS, CTS, DTR, DSR, DCD, GND
RS-422	Tx+, Tx-, Rx+, Rx-, GND
RS-485-2w	Data+, Data-, GND
RS-485-4w	Tx+, Tx-, Rx+, Rx-, GND

#### Power Parameters

Input Voltage	24 VDC (with tolerance from 18 to 30 VDC)
Power Connector	Terminal block (for DC models)
Power Consumption (Max.)	100 W

## Reliability

Automatic Reboot Trigger	Built-in WDT
--------------------------	--------------

## Environmental Limits

Ambient Relative Humidity	5 to 95% (non-condensing)
Operating Temperature	-40 to 70°C (-40 to 158°F)
Storage Temperature	-50 to 80°C (-58 to 176°F)

## Physical Characteristics

Housing	Metal
Dimensions (with ears)	287 x 250 x 70 mm (11.3 x 9.84 x 2.76 in)
Weight	4,497 g (9.91 lb)

## Standards and Certifications

Safety	CE FCC UL 60950-1
EMC	EN 55022 Class B ENV 50204
EMI	CISPR 22, FCC Part 15B Class A
Vibration	IEC 60068-2-64, DNVGL-CG-0339
Maritime	DNV IEC 60945 CCS

## Warranty

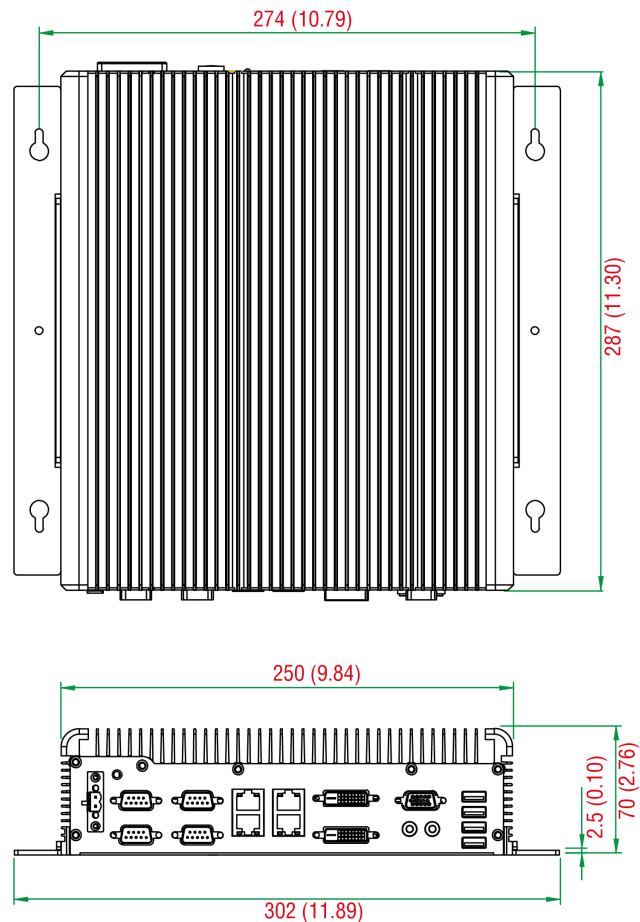
Warranty Period	3 years
Details	See <a href="http://www.moxa.com/warranty">www.moxa.com/warranty</a>

## Package Contents

Device	1 x MC-7200 Computer
Installation Kit	1 x wall-mounting kit
Documentation	1 x document and software CD 1 x quick installation guide 1 x warranty card
Accessory	1 x terminal block for power jack connector

## Dimensions

Unit: mm (inch)



## Ordering Information

Model Name	CPU	RAM	Storage	OS Preinstalled	LAN/Serial	USB 2.0	Video Outputs
MC-7210-DC-CP-T	Celeron 1047UE	4 GB	2 x SSD tray	-	4/4	6	1 x VGA, 2 x DVI-D
MC-7230-DC-CP-T	i3-3120ME	4 GB	2 x SSD tray	-	4/4	6	1 x VGA, 2 x DVI-D
MC-7270-DC-CP-T	i7-3555LE	4 GB	2 x SSD tray	-	4/4	6	1 x VGA, 2 x DVI-D
MC-7270-DC-CP-T-W7E	i7-3555LE	4 GB	2 x SSD tray (32 GB preinstalled)	WS7E	4/4	6	1 x VGA, 2 x DVI-D

© Moxa Inc. All rights reserved. Updated Jan 21, 2020.

This document and any portion thereof may not be reproduced or used in any manner whatsoever without the express written permission of Moxa Inc. Product specifications subject to change without notice. Visit our website for the most up-to-date product information.