

SERIES AS-4PD



FEATURES

- EXCELLENT CLOCK SIGNAL GENERATOR FOR CPU'S
- AVAILABLE IN EXTENDED TEMPERATURE RANGE
- LOW PROFILE SURFACE MOUNT
- EPSON MA506 PIN OUT COMPATIBLE

SPECIFICATIONS

FREQUENCY RANGE		3.20 MHz TO 70.00 MHz
MODE OF OSCILLATION	FUNDAMENTAL	3.20 MHz TO 40.320 MHz
	THIRD OVERTONE	24.576 MHz TO 70.00 MHz
FREQUENCY TOLERANCE AT 25°C		±30 PPM TYPICAL ±50 PPM MAXIMUM
FREQUENCY STABILITY OVER TEMPERATURE RANGE		±50 PPM TYPICAL ±100 PPM MAXIMUM
OPERATING TEMPERATURE RANGE		-20° C TO +70° C STANDARD
		-40° C TO +85° C EXTENDED
STORAGE TEMPERATURE RANGE		-55° C TO +125° C
AGING		±5 PPM PER YEAR MAXIMUM
LOAD CAPACITANCE		10 pF TO 32 pF OR SERIES
EQUIVALENT SERIES RESISTANCE (ESR)		SEE TABLE
DRIVE LEVEL		0.1 mW TYPICAL
CRYSTAL CUT		AT STRIP



TYPICAL FREQUENCIES AND ESR CHARACTERISTICS*

FREQUENCY (MHz)	OHMS MAX	MODE
3.579 TO 3.999	150	FUND
4.000 TO 4.999	130	FUND
5.000 TO 5.999	100	FUND
6.000 TO 6.999	80	FUND
7.000 TO 7.999	70	FUND
8.000 TO 9.999	60	FUND
10.000 TO 14.999	50	FUND
15.000 TO 40.320	40	FUND
24.000 TO 28.999	80	3rd OT
29.000 TO 70.000	70	3rd OT

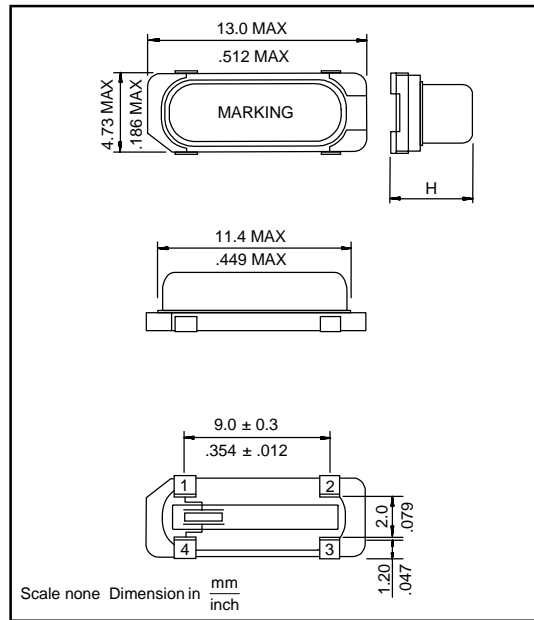
* LOWER RESISTANCIES ARE AVAILABLE ON SPECIAL ORDER

PART NUMBERING SYSTEM

HOLDER TYPE		FREQUENCY	LOAD CAPACITANCE	MODE		EXTENDED TEMPERATURE	CONFIGURATION	
AS	HC-49/S SMD	IN MHz	10 TO 32pF FOR PARALLELS FOR SERIES	F 3OT	FUNDAMENTAL THIRD OVERTONE	EXT	4PD	4 PAD SMD TYPE

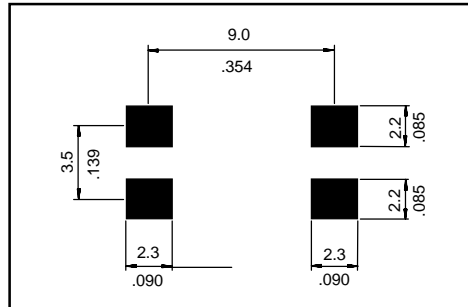
HEIGHT	TAPE AND REEL
5.6 mm: STD 5.1 mm: H51 4.6 mm: H46	TR

● **OUTLINE DRAWING**



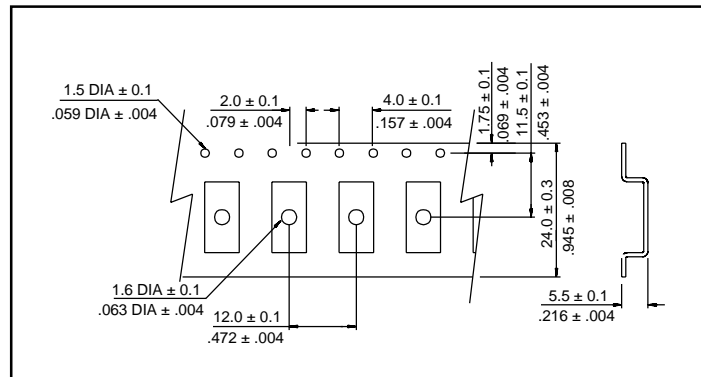
FREQUENCY RANGE VS. MAX HEIGHT		
FREQUENCY	ht. / mm	TYPE
> 20.000 MHz	4.6	H46
> 3.579 MHz	5.1	H51
> 3.579 MHz	5.6	STD

● **RECOMMENDED SOLDER PATTERN**



● **CARRIER TAPE DIMENSIONS**

330 mm REEL DIAMETER
24 mm TAPE WIDTH
12 mm PITCH
1000 PIECES PER REEL



● **REFLOW SOLDERING PROFILE**

