

IEC Appliance Inlet C20, Screw-on Mounting, Rear Side, PCB Terminal



C20



70 °C



Description

- Panel Mount:
- Screw-on mounting, from rear-side
- Appliance Inlet, Pin temperature 70 °C, Protection class I
- For PCB mounting

Approvals

- UL License Number: E96454
- CSA License Number: 27324

Technical Data

Ratings IEC	16A / 250VAC; 50Hz
Ratings UL/CSA	21A / 250VAC; 60Hz
Dielectric Strength	> 3 kVAC between L-N > 1.5 kVAC between L/N-PE (1 min/50Hz)
Allowable Operation Temp.	-25 °C to 70 °C
Degree of Protection	from front side IP 20 acc. to IEC 60529
Protection Class	Suitable for appliances with protection class 1 acc. to IEC 61140
Terminal	For PCB mounting Solder terminal straight

References

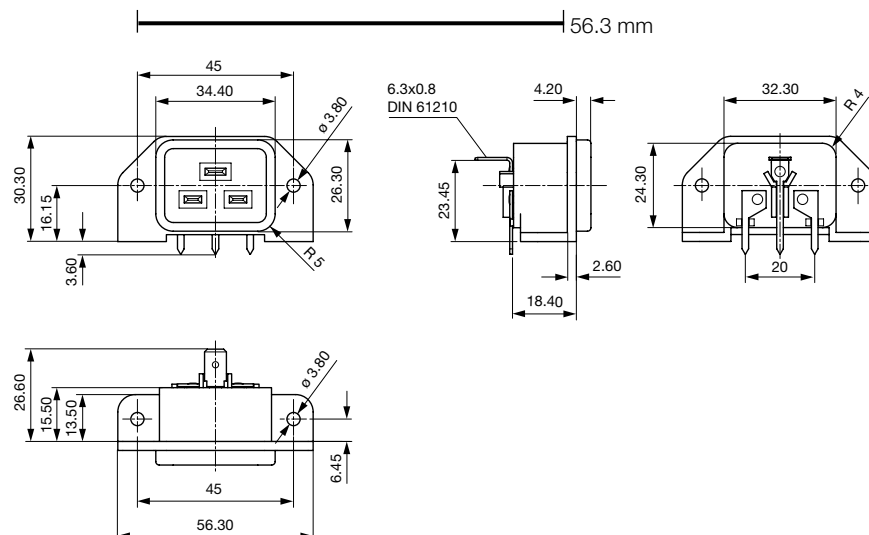
[General Product Information](#)

Weblinks

[Approvals](#), [RoHS](#), [CHINA-RoHS](#), [Mating Connectors](#), [Distributor-Stock-Check](#), [Accessories](#)

Appliance Inlet	C20 acc. to IEC/EN 60320-1 UL 498, CSA C22.2 no. 42 (for cold conditions) pin-temperature 70 °C, 16A, Protection Class 1
-----------------	---

Dimensions



Length of the terminal please find at the order code configuration table

Config. Code

Product Configurator

1601 - H - A B C 0 - D - E I

The characters are placeholders for the correspondingly keys of selections from the key tables.

1601 - H - A B C 0 - D - E I = Type

Type	Configuration key
protection class 1	X

1601 - H - A B C 0 - D - E I = Terminals

Terminal L	Configuration key
PCB-terminal (standard)	4



1601 - H - A B C 0 - D - E I = Terminals

Terminal N	Configuration key
PCB-terminal (standard)	4

Symbols similar as in table A

1601 - H - A B C 0 - D - E I = Terminals

Terminal Ground	Configuration key
PCB-terminal (long)	6

Symbols similar as in table A

1601 - H - A B C 0 - D - E I = Color

Color	Configuration key
jet black; RAL9005	A
silver grey; RAL7001	B
pure white; RAL9010	D
standard color: black	

1601 - H - A B C 0 - D - E I = Style

Style	Configuration key
flange with through holes	2
flange with through holes (special type)	7

1601 - H - A B C 0 - D - E I = Additional Terminals

Additional Terminals	Configuration key
without terminal	0
blade terminal (6,3x0,8mm)	9

Variants

Config. Code	Description	Order Number
1601-X-4460-A-29	1601, IEC Appliance Inlet C20, 70°C1, L: PCB-terminal (standard), N: PCB-terminal (standard), ground: PCB-terminal (long), color: jet black; RAL9005, design: flange with through holes, additional terminal L: blade terminal (6,3x0,8mm)	6163.0018
1601-X-4460-A-20	1601, IEC Appliance Inlet C20, 70°C1, L: PCB-terminal (standard), N: PCB-terminal (standard), ground: PCB-terminal (long), color: jet black; RAL9005, design: flange with through holes, additional terminal L: without terminal	6163.0019

The listed variants should be available from stock. Other versions on request www.schurter.com/contact

Packaging unit

50 Pcs

Mating Outlets/Connectors

Category / Description

Connector Overview complete



IEC Connector C19, Rewireable, Straight	0104
IEC Connector C19, Rewireable, Angled	1651
IEC Connector C19, Rewireable, Straight	1652
IEC Connector C19, Rewireable, Angled	4790
IEC Connector C19, Rewireable, Straight	4795

Connector further types to 1601



[Power Cord Overview complete](#)

[Power Cord with IEC Connector C19, Straight](#)

1654

[Power Cord further types to 1601](#)

[Power Supply or Interconnection Cord Overview complete](#)

[Divers Power Supply and Interconnection Cords 16 A](#)

6003.0395

[Divers Power Supply and Interconnection Cords 16 A](#)

6009.5195

[Power Supply or Interconnection Cord further types to 1601](#)