

**PLEASE CHECK WWW.MOLEX.COM FOR LATEST PART INFORMATION**

**Part Number:** [0443800012](#)  
**Status:** **Active**  
**Overview:** [modular\\_plugs\\_jacks](#)  
**Description:** Modular Jack, Right Angle, Low Profile, Inverted, 6/4, Shielded, with All Panel Grounding Tabs

**Documents:**

<a href="#">3D Model</a>	<a href="#">Application Specification (PDF)</a>
<a href="#">Drawing (PDF)</a>	<a href="#">Product Specification PS-43860-003 (PDF)</a>
<a href="#">Packaging Specification (PDF)</a>	<a href="#">RoHS Certificate of Compliance (PDF)</a>

**Agency Certification**

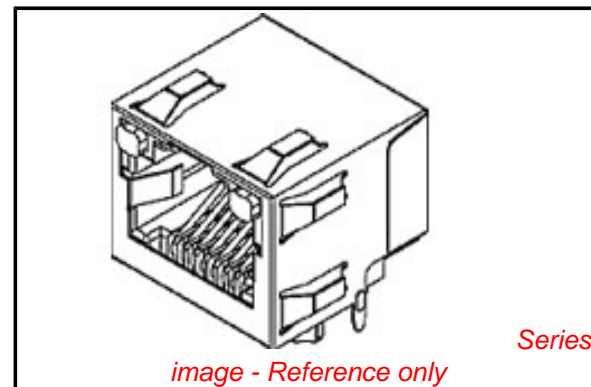
CSA	LR19980
UL	E107635

**General**

Product Family	Modular Jacks/Plugs
Series	<a href="#">44380</a>
Component Type	PCB Jack
Magnetic	No
Overview	<a href="#">modular_plugs_jacks</a>
Performance Category	3
Power over Ethernet (PoE)	N/A
Product Name	RJ11

**Physical**

Boot Color	N/A
Color - Resin	Black, Clear
Durability (mating cycles max)	500
Inverted / Top Latch	Yes
Keying to Mating Part	None
Lightpipes/LEDs	Lightpipes
Material - Metal	Brass, Phosphor Bronze
Material - Plating Mating	Gold
Material - Plating Termination	Tin
Material - Resin	High Temperature Thermoplastic, Polycarbonate
Orientation	Right Angle (Side Entry)
PCB Locator	Yes
PCB Retention	Yes
PCB Thickness Recommended (in)	0.039 In
PCB Thickness Recommended (mm)	1.00 mm
Packaging Type	Tray
Panel Mount	Without Flange
Pitch - Mating Interface (in)	0.040 In
Pitch - Mating Interface (mm)	1.02 mm
Pitch - Term. Interface (in)	0.040 In
Pitch - Term. Interface (mm)	1.02 mm
Plating min: Mating (µin)	50
Plating min: Mating (µm)	1.25
Plating min: Termination (µin)	100
Plating min: Termination (µm)	2.5
Ports	1
Positions / Loaded Contacts	6/4
Surface Mount Compatible (SMC)	Yes
Temperature Range - Operating	-40°C to +85°C
Termination Interface: Style	Through Hole



**EU RoHS**

**ELV and RoHS  
Compliant**  
**REACH SVHC**  
 Not Reviewed  
**Halogen-Free  
Status**  
**Not Reviewed**

**China RoHS**



**Need more information on product environmental compliance?**

Email [productcompliance@molex.com](mailto:productcompliance@molex.com)  
 For a multiple part number RoHS Certificate of Compliance, [click here](#)

Please visit the [Contact Us](#) section for any non-product compliance questions.

**Search Parts in this Series**

[44380Series](#)

**Mates With**

FCC 68 Plugs

Waterproof / Dustproof	No
Wire/Cable Type	N/A
<b>Electrical</b>	
Current - Maximum per Contact	1.5A
Grounding to PCB	No
Grounding to Panel	With All Panel Grounding Tab
Shielded	Yes
Voltage - Maximum	150V AC (RMS)

#### **Solder Process Data**

Lead-free Process Capability	Wave Capable (TH only)
------------------------------	------------------------

#### **Material Info**

#### **Reference - Drawing Numbers**

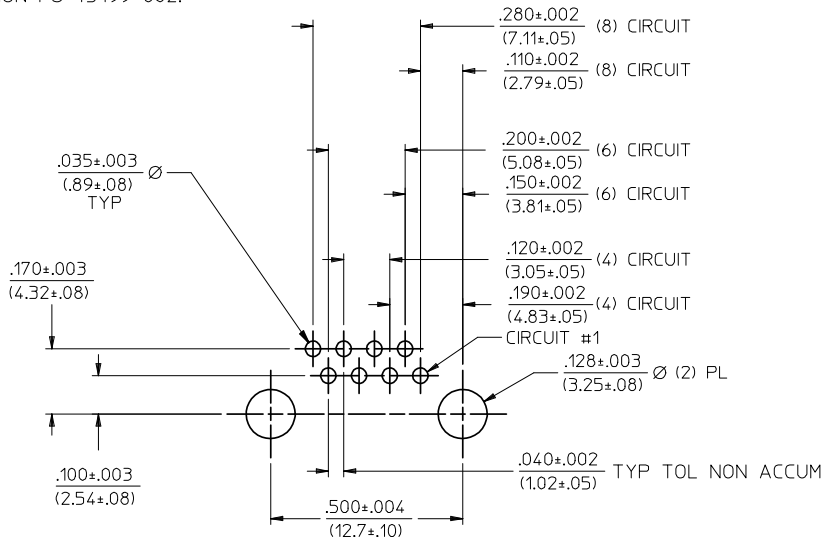
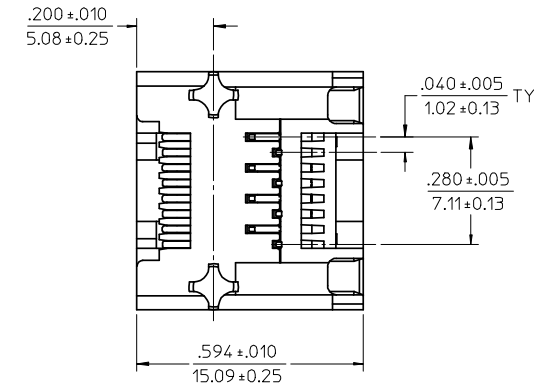
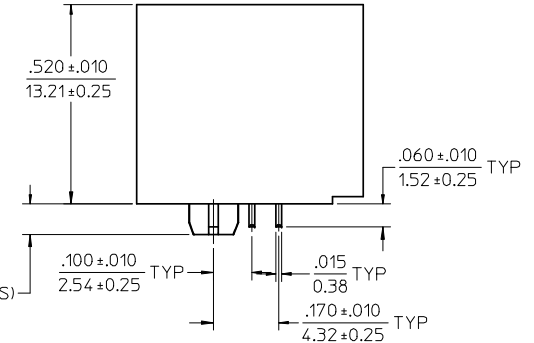
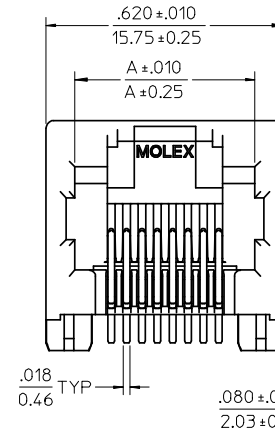
Application Specification	AS-43860-001
Packaging Specification	PK-44380-005
Product Specification	PS-43860-003, RPS-43860-004, RPS-43860-007, RPS-43860-008, RPS-43860-013
Sales Drawing	SD-44380-001

This document was generated on 06/08/2010

**PLEASE CHECK [WWW.MOLEX.COM](http://WWW.MOLEX.COM) FOR LATEST PART INFORMATION**

NOTES

- 1) MATERIAL:  
HOUSING: GLASS FILLED NYLON, 94V-0 COLOR: BLACK  
TERMINALS: PHOSPHOR BRONZE, .015/(0.38) THICK  
SHIELD: BRASS
- 2) PLATING:  
TERMINALS:  
SELECT GOLD IN CONTACT AREA: 50 MICROINCHES (1.27 MICROMETERS) MIN.,  
\*SELECT TIN IN PC TAIL AREA: 100 MICROINCHES (2.54 MICROMETERS) MIN.,  
WITH OVERALL NICKEL UNDERPLATE: 50 MICROINCHES (1.27 MICROMETERS) MIN.  
\*THE PRIMARY SHIPPING CARTON WILL BE LABELED "COMPLIANT TO RoHS DIRECTIVE 2002/95/EC AND ELV ANNEX II OF DIRECTIVE 2000/53/EC". CARTONS WITHOUT THIS LABEL MAY CONTAIN PRODUCT WITH TIN-LEAD IN THE PC TAIL AREA.
- 3) PRODUCT SPECIFICATION:  
CONNECTOR PERFORMANCE SPECIFICATIONS PER MOLEX  
PRODUCT SPECIFICATION PS-43860-003
- 4) PACKAGING OPTIONS:  
CONNECTOR ASSEMBLIES IN EXTRUDED TUBES  
PER PACKAGING SPECIFICATION PK-43860-004
- 5) ALL UNTOLERANCED DIMENSIONS ARE SHOWN FOR REFERENCE ONLY
- 6) CONFORMS TO F.C.C. REGULATION PART 68.5 FOR MODULAR JACKS.
- 7) THIS PART CONFORMS TO CLASS B REQUIREMENTS OF COSMETIC SPECIFICATION PS-45499-002.



PC BOARD LAYOUT  
COMPONENT SIDE OF BOARD  
RECOMMENDED PC BOARD THICKNESS .039/1.00

MATERIAL NUMBER	CONNECTOR SIZE	DIM. "A"	CIRCUITS
44380-0001	8	.470/11.94	8
44380-0002	6	.389/9.88	6
44380-0003	6	.389/9.88	4
44380-0019	8	.470/11.94	4

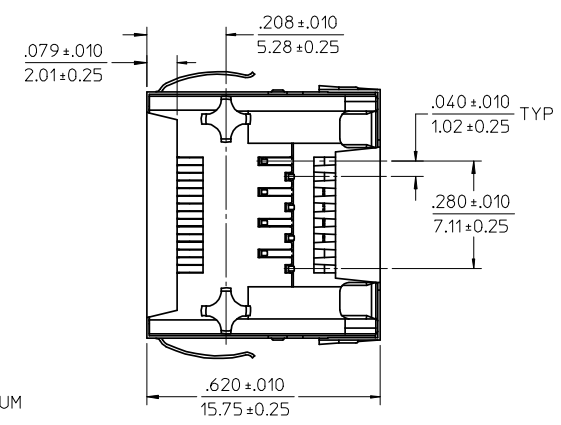
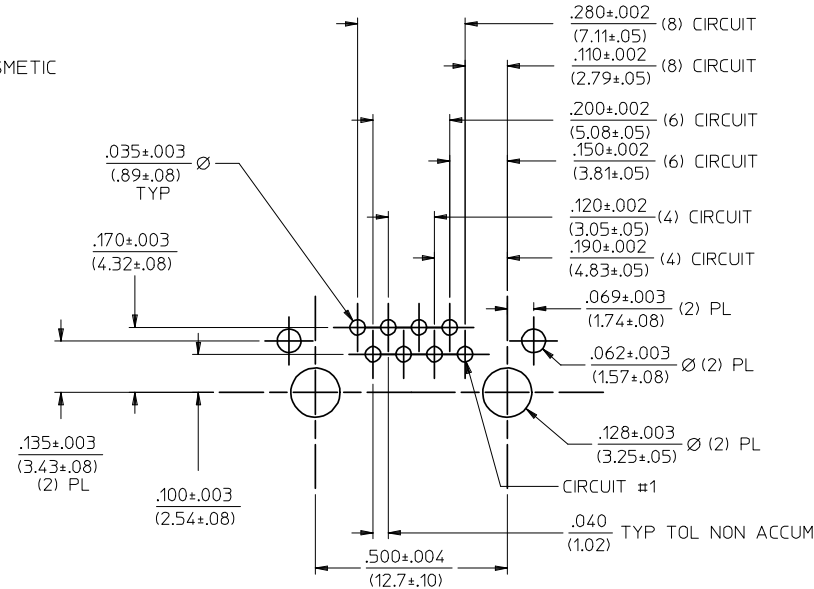
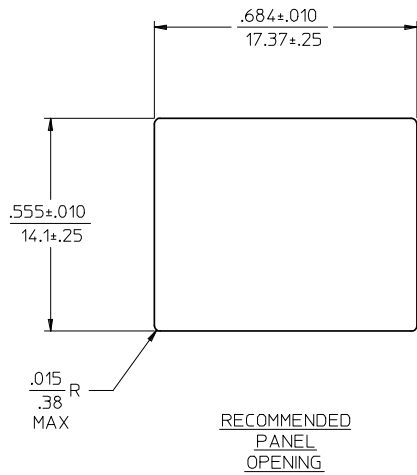
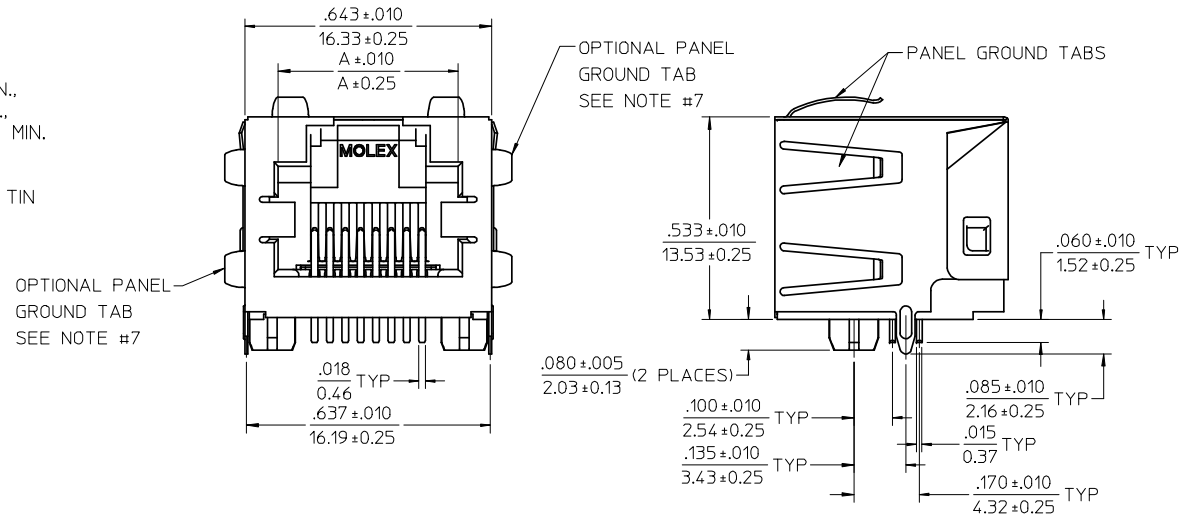
RECREATED IN 3D EC NO: UCP2008-0965 DRWN:JBELL 2007/11/08 CHKD:LSCHMIDT 2007/12/04 APPR:FSMITH 2007/12/05	QUALITY SYMBOLS ▽=0 ▽=0
---	-------------------------------

GENERAL TOLERANCES (UNLESS SPECIFIED)	DIMENSION STYLE IN/MM
4 PLACES ± --- ± ---	DRAWN BY DATE
3 PLACES ± --- ± ---	MAYO 1999/04/09
2 PLACES ± --- ± ---	CHECKED BY DATE
1 PLACE ± --- ± ---	ROBERTS 1999/04/09
ANGULAR ±1/2°	APPROVED BY DATE
	ROBERTS 1999/04/09
DRAFT WHERE APPLICABLE MUST REMAIN WITHIN DIMENSIONS	MATERIAL NO. SEE CHART
	SIZE THIS DRAWING CONTAINS INFORMATION THAT IS PROPRIETARY TO MOLEX INCORPORATED AND SHOULD NOT BE USED WITHOUT WRITTEN PERMISSION

SCALE 4:1	DESIGN UNITS INCH	THIRD ANGLE PROJECTION
TITLE INVERTED MODULAR JACK ASSEMBLY (MINI-PCI COMPLIANT)		
MOLEX MOLEX INCORPORATED		
DOCUMENT NO. SD-44380-001	SHEET NO. 1 OF 5	

- NOTES
- MATERIAL:
    - HOUSING: GLASS FILLED NYLON, 94V-0 COLOR: BLACK
    - TERMINALS: PHOSPHOR BRONZE, .015/(0.38) THICK
    - SHIELD: BRASS
  - PLATING:
    - TERMINALS:
      - SELECT GOLD IN CONTACT AREA: 50 MICROINCHES (1.27 MICROMETERS) MIN.,
      - \*SELECT TIN IN PC TAIL AREA: 100 MICROINCHES (2.54 MICROMETERS) MIN.,
      - WITH OVERALL NICKEL UNDERPLATE: 50 MICROINCHES (1.27 MICROMETERS) MIN.
    - SHIELD:
      - \*100 MICROINCHES (2.54 MICROMETERS) NICKEL OVER 50 MICROINCHES (1.27 MICROMETERS) COPPER UNDERPLATE, PCB GROUND TABS DIPPED IN TIN
      - \*THE PRIMARY SHIPPING CARTON WILL BE LABELED "COMPLIANT TO RoHS DIRECTIVE 2002/95/EC AND ELV ANNEX II OF DIRECTIVE 2000/53/EC". CARTONS WITHOUT THIS LABEL MAY CONTAIN PRODUCT WITH TIN-LEAD IN THE PC TAIL AREA.

- PRODUCT SPECIFICATION:
  - CONNECTOR PERFORMANCE SPECIFICATIONS PER MOLEX PRODUCT SPECIFICATION PS-43860-003
- PACKAGING OPTIONS:
  - CONNECTOR ASSEMBLIES IN THERMOFORMED TRAYS PER PACKAGING SPECIFICATION PK-44380-005
  - OPTION (44380-2004) PACKAGED IN TAPE AND REEL
- ALL UNTOLERANCED DIMENSIONS ARE SHOWN FOR REFERENCE ONLY
- CONFORMS TO F.C.C. REGULATION PART 68.5 FOR MODULAR JACKS
- AVAILABLE WITH THE (2) SPECIFIED PANEL GROUND TABS OMITTED FOR SIDE TO SIDE STACKABILITY, PER THE ASSEMBLY MATERIAL NUMBER TABLE.
- THIS PART CONFORMS TO CLASS B REQUIREMENTS OF COSMETIC SPECIFICATION PS-45499-002.



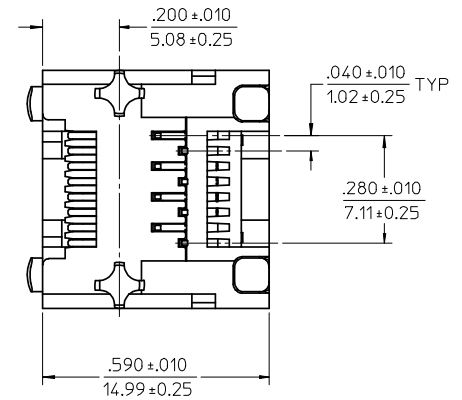
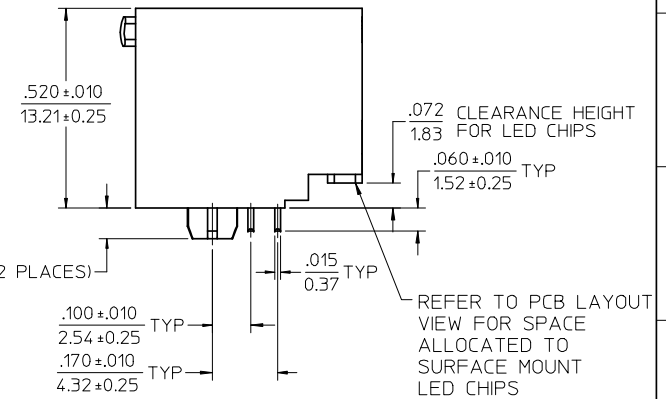
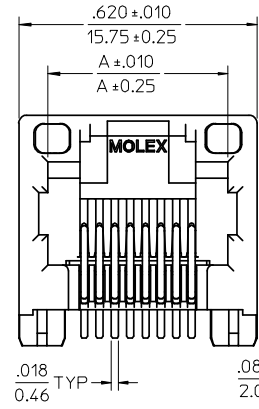
PC BOARD LAYOUT  
COMPONENT SIDE OF BOARD  
RECOMMENDED PC BOARD THICKNESS: .039/1.00

MATERIAL NUMBER	CONNECTOR SIZE	DIM. "A"	CIRCUITS	PANEL GROUND TABS
44380-0004	8	.470/11.94	8	ALL
44380-0005	6	.389/9.88	6	ALL
44380-0006	6	.389/9.88	4	ALL
44380-0013	8	.470/11.94	8	SEE NOTE #7
44380-0014	6	.389/9.88	6	SEE NOTE #7
44380-0015	6	.389/9.88	4	SEE NOTE #7
44380-2004	8	.470/11.94	8	ALL

SEE SHEET 1 EC NO: UCP2008-0965 DRWN:JBELL 2007/11/08 CHKD:LSCHMIDT 2007/12/04 APPR:FSM/TH 2007/12/05	QUALITY SYMBOLS ▽=0 ▽=0	GENERAL TOLERANCES (UNLESS SPECIFIED)	DIMENSION STYLE IN/MM	SCALE 4:1	DESIGN UNITS INCH	THIRD ANGLE PROJECTION																								
		<table border="1"> <tr> <th></th> <th>mm</th> <th>INCH</th> </tr> <tr> <td>4 PLACES ±</td> <td>---</td> <td>---</td> </tr> <tr> <td>3 PLACES ±</td> <td>---</td> <td>---</td> </tr> <tr> <td>2 PLACES ±</td> <td>---</td> <td>---</td> </tr> <tr> <td>1 PLACE ±</td> <td>---</td> <td>---</td> </tr> </table>		mm	INCH	4 PLACES ±	---	---	3 PLACES ±	---	---	2 PLACES ±	---	---	1 PLACE ±	---	---	<table border="1"> <tr> <th>DRAWN BY</th> <th>DATE</th> </tr> <tr> <td>MAYO</td> <td>1999/04/09</td> </tr> <tr> <th>CHECKED BY</th> <th>DATE</th> </tr> <tr> <td>ROBERTS</td> <td>1999/04/09</td> </tr> <tr> <th>APPROVED BY</th> <th>DATE</th> </tr> <tr> <td>ROBERTS</td> <td>1999/04/09</td> </tr> </table>	DRAWN BY	DATE	MAYO	1999/04/09	CHECKED BY	DATE	ROBERTS	1999/04/09	APPROVED BY	DATE	ROBERTS	1999/04/09
	mm	INCH																												
4 PLACES ±	---	---																												
3 PLACES ±	---	---																												
2 PLACES ±	---	---																												
1 PLACE ±	---	---																												
DRAWN BY	DATE																													
MAYO	1999/04/09																													
CHECKED BY	DATE																													
ROBERTS	1999/04/09																													
APPROVED BY	DATE																													
ROBERTS	1999/04/09																													
DRAFT WHERE APPLICABLE MUST REMAIN WITHIN DIMENSIONS		MATERIAL NO. <b>SEE CHART</b>	DOCUMENT NO. <b>SD-44380-001</b>	SHEET NO. <b>2 OF 5</b>																										
THIS DRAWING CONTAINS INFORMATION THAT IS PROPRIETARY TO MOLEX INCORPORATED AND SHOULD NOT BE USED WITHOUT WRITTEN PERMISSION																														

NOTES

- 1) MATERIAL:
  - HOUSING: GLASS FILLED NYLON, 94V-0, COLOR: BLACK
  - TERMINALS: PHOSPHOR BRONZE, .015/(0.38) THK
  - LIGHTPIPE: POLYCARBONATE- WAVE OR HAND SOLDER ONLY (NOT DESIGNED FOR I/R REFLOW OR CONVECTION REFLOW SOLDER PROCESSES)
  - POLYSULFONE - MAXIMUM REFLOW TEMPERATURE: 400°F (205°C)
- 2) PLATING:
  - TERMINAL:
    - SELECT GOLD IN CONTACT AREA: 50 MICROINCHES (1.27 MICROMETERS) MIN.,
    - \*SELECT TIN IN PC TAIL AREA: 100 MICROINCHES (2.54 MICROMETERS) MIN.,
    - WITH OVERALL NICKEL UNDERPLATE: 50 MICROINCHES (1.27 MICROMETERS) MIN.
    - \*THE PRIMARY SHIPPING CARTON WILL BE LABELED "COMPLIANT TO RoHS DIRECTIVE 2002/95/EC AND ELV ANNEX II OF DIRECTIVE 2000/53/EC". CARTONS WITHOUT THIS LABEL MAY CONTAIN PRODUCT WITH TIN-LEAD IN THE PC TAIL AND/OR SHIELD.
- 3) PRODUCT SPECIFICATION:
  - CONNECTOR PERFORMANCE SPECIFICATIONS PER MOLEX PRODUCT SPECIFICATION PS-43860-003
- 4) PACKAGING:
  - PER PACKAGING SPECIFICATION PK-43860-004
- 5) APPLICATION SPECIFICATION: AS-43860-001.
- 6) ALL UNTOLERANCED DIMENSIONS ARE SHOWN FOR REFERENCE ONLY.
- 7) CONFORMS TO F.C.C. REGULATION PART 68.5 FOR MODULAR JACKS.
- 8) REFER TO PAGE (5) OF (5) FOR RECOMMENDED PCB LAYOUT.
- 9) THIS PART CONFORMS TO CLASS B REQUIREMENTS OF COSMETIC SPECIFICATION PS-45499-002.



MATERIAL NUMBER	LIGHTPIPE MATERIAL	CONNECTOR SIZE	DIM. "A"	CIRCUITS
44380-0007	POLYCARBONATE	8	.470/11.94	8
44380-0008	POLYCARBONATE	6	.389/9.88	6
44380-0009	POLYCARBONATE	6	.389/9.88	4
44380-0020	POLYSULFONE	8	.470/11.94	8
44380-0021	POLYSULFONE	6	.389/9.88	6
44380-0022	POLYSULFONE	6	.389/9.88	4

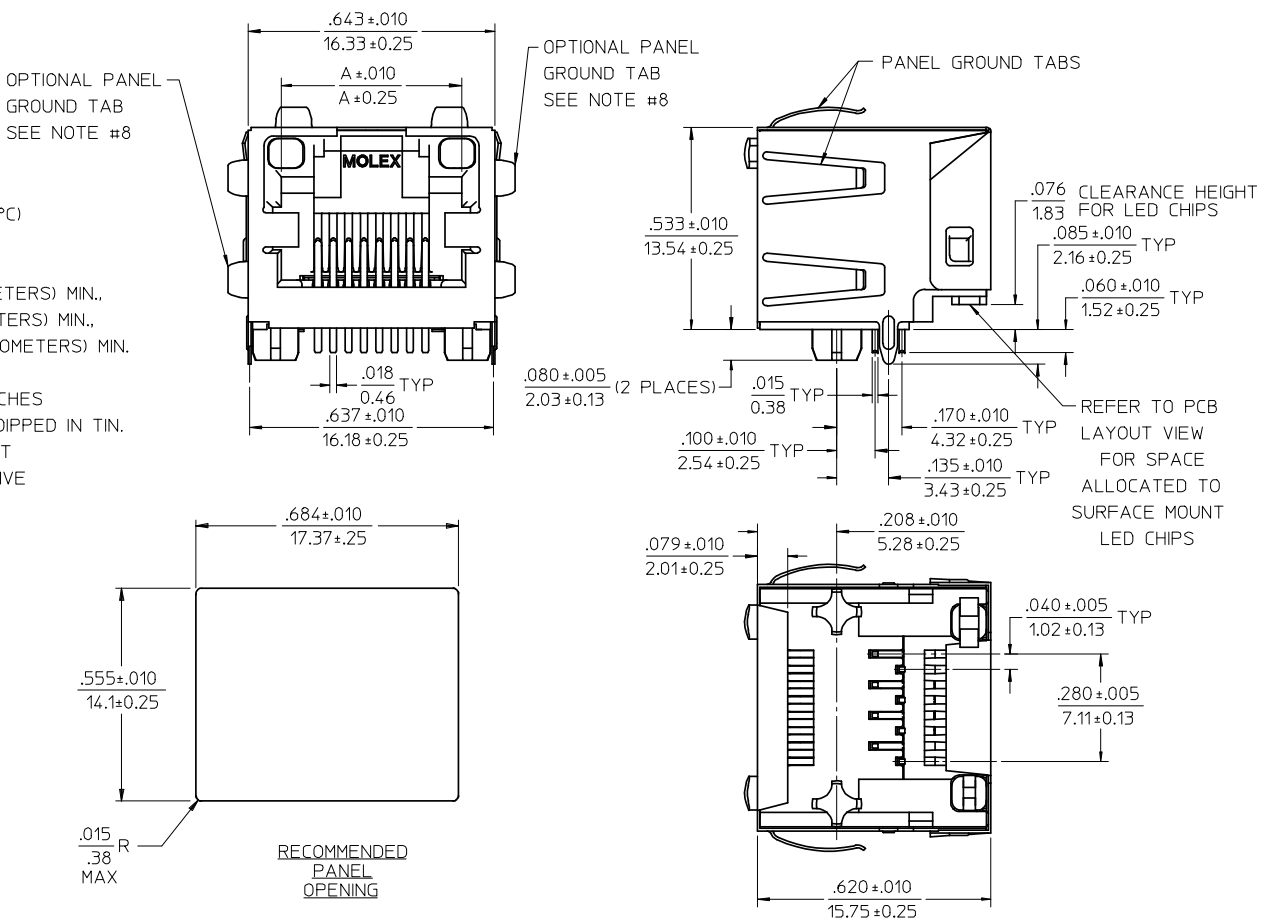
SEE SHEET 1 EC NO: UCP2008-0965 DRWN:JBELL 2007/11/08 CHKD:LSCHMIDT 2007/12/04 APPR:FSM/TH 2007/12/05	QUALITY SYMBOLS ▽=0 ▽=0
---	-------------------------------

GENERAL TOLERANCES (UNLESS SPECIFIED)	
mm	INCH
4 PLACES ± .005	± .0005
3 PLACES ± .005	± .0005
2 PLACES ± .005	± .0005
1 PLACE ± .005	± .0005
ANGULAR ± 1/2°	
DRAFT WHERE APPLICABLE MUST REMAIN WITHIN DIMENSIONS	

DIMENSION STYLE	
IN/MM	
DRAWN BY	DATE
MAYO	1999/04/09
CHECKED BY	DATE
ROBERTS	1999/04/09
APPROVED BY	DATE
ROBERTS	1999/04/09
MATERIAL NO.	DOCUMENT NO.
SEE CHART	SD-44380-001
SIZE	THIS DRAWING CONTAINS INFORMATION THAT IS PROPRIETARY TO MOLEX INCORPORATED AND SHOULD NOT BE USED WITHOUT WRITTEN PERMISSION

SCALE 4:1	DESIGN UNITS INCH	THIRD ANGLE PROJECTION
INVERTED MODULAR JACK ASSEMBLY (MINI-PCI COMPLIANT)		
MOLEX INCORPORATED		
SHEET NO. 3 OF 5		

- NOTES
- MATERIAL:
    - HOUSING: GLASS FILLED NYLON, 94V-0, COLOR: BLACK
    - TERMINALS: PHOSPHOR BRONZE, .015/(0.38) THK
    - SHIELD: BRASS
    - LIGHTPIPE: POLYCARBONATE - WAVE OR HAND SOLDER ONLY (NOT DESIGNED FOR I/R REFLOW OR CONVECTION REFLOW SOLDER PROCESSES)
    - POLYSULFONE - MAXIMUM REFLOW TEMPERATURE: 400°F (205°C)
  - PLATING:
    - TERMINAL: SELECT GOLD IN CONTACT AREA: 50 MICROINCHES (1.27 MICROMETERS) MIN., \*SELECT TIN IN PC TAIL AREA: 100 MICROINCHES (2.54 MICROMETERS) MIN., WITH OVERALL NICKEL UNDERPLATE: 50 MICROINCHES (1.27 MICROMETERS) MIN.
    - SHIELD: \*100 MICROINCHES (2.54 MICROMETERS) NICKEL OVER 50 MICROINCHES (1.27 MICROMETERS) COPPER UNDERPLATE, PCB GROUND TABS DIPPED IN TIN. \*THE PRIMARY SHIPPING CARTON WILL BE LABELED "COMPLIANT TO RoHS DIRECTIVE 2002/95/EC AND ELV ANNEX II OF DIRECTIVE 2002/53/EC". CARTONS WITHOUT THIS LABEL MAY CONTAIN PRODUCT WITH TIN-LEAD IN THE PC TAIL AND/OR SHIELD.
  - PRODUCT SPECIFICATION: CONNECTOR PERFORMANCE SPECIFICATIONS PER MOLEX PRODUCT SPECIFICATION PS-43860-003.
  - PACKAGING: CONNECTOR ASSEMBLIES IN THERMOFORMED TRAYS PER PACKAGING SPECIFICATION PK-44380-005 .
  - APPLICATION SPECIFICATION: AS-43860-001.
  - ALL UNTOLERANCED DIMENSIONS ARE SHOWN FOR REFERENCE ONLY.
  - CONFORMS TO F.C.C. REGULATION PART 68.5 FOR MODULAR JACKS.
  - AVAILABLE WITH THE (2) SPECIFIED PANEL GROUND TABS OMITTED FOR SIDE TO SIDE STACKABILITY, PER THE ASSEMBLY MATERIAL NUMBER TABLE.
  - REFER TO SHEET (5) OF (5) FOR RECOMMENDED PCB LAYOUT.
  - THIS PART CONFORMS TO CLASS B REQUIREMENTS OF COSMETIC SPECIFICATION PS-45499-002.



MATERIAL NUMBER	LIGHTPIPE MATERIAL	CONN SIZE	DIM. "A"	CIRCUITS	PANEL GROUND TABS
44380-0010	POLYCARBONATE	8	.470/11.94	8	ALL
44380-0011	POLYCARBONATE	6	.389/9.88	6	ALL
44380-0012	POLYCARBONATE	6	.389/9.88	4	ALL
44380-0016	POLYCARBONATE	8	.470/11.94	8	SEE NOTE #8
44380-0017	POLYCARBONATE	6	.389/9.88	6	SEE NOTE #8
44380-0018	POLYCARBONATE	6	.389/9.88	4	SEE NOTE #8
44380-1010	POLYSULFONE	8	.470/11.94	8	ALL
44380-1011	POLYSULFONE	6	.389/9.88	6	ALL
44380-1012	POLYSULFONE	6	.389/9.88	4	ALL
44380-1016	POLYSULFONE	8	.470/11.94	8	SEE NOTE #8
44380-1017	POLYSULFONE	6	.389/9.88	6	SEE NOTE #8
44380-1018	POLYSULFONE	6	.389/9.88	4	SEE NOTE #8

SEE SHEET 1  
 EC NO: WGP2008-09665  
 DRWN: J.BELL 2007/11/08  
 CHKD: J.SCHMIDT 2007/12/04  
 APPR: F.SMITH 2007/12/05

QUALITY SYMBOLS  
 ▽=0  
 ▽=0

GENERAL TOLERANCES (UNLESS SPECIFIED)

	mm	INCH
4 PLACES ±	---	---
3 PLACES ±	---	---
2 PLACES ±	---	---
1 PLACE ±	---	---

ANGULAR ±1/2°

DRAFT WHERE APPLICABLE MUST REMAIN WITHIN DIMENSIONS

SEE CHART

THIS DRAWING CONTAINS INFORMATION THAT IS PROPRIETARY TO MOLEX INCORPORATED AND SHOULD NOT BE USED WITHOUT WRITTEN PERMISSION

DIMENSION STYLE IN/MM

SCALE 4:1

DESIGN UNITS INCH

THIRD ANGLE PROJECTION

DRAWN BY MAYO DATE 1999/04/09

CHECKED BY ROBERTS DATE 1999/04/09

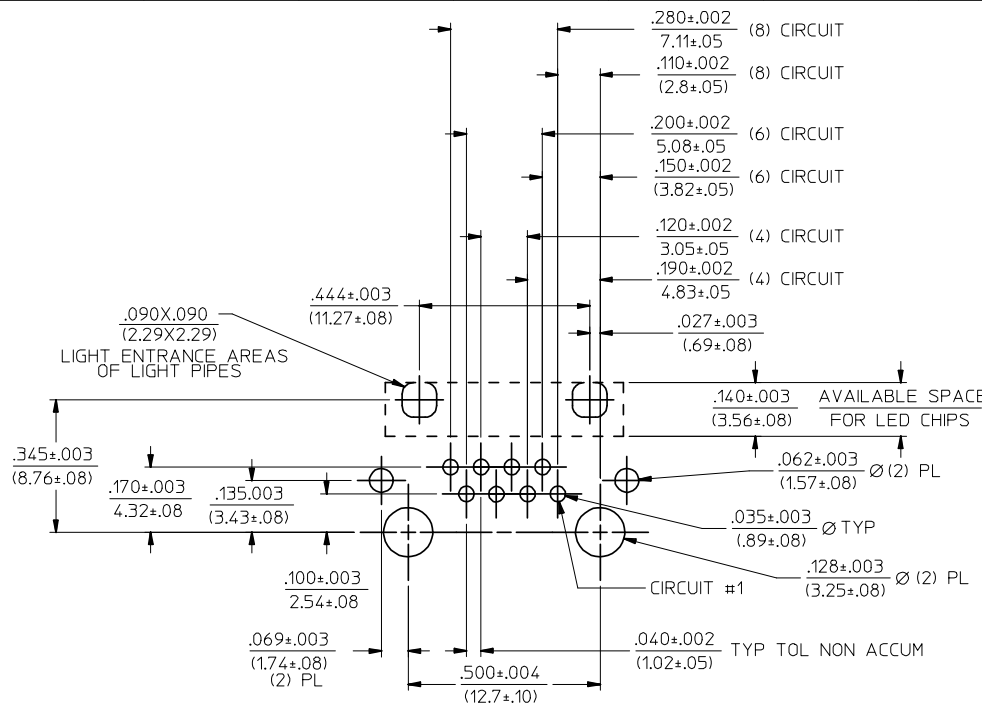
APPROVED BY ROBERTS DATE 1999/04/09

MATERIAL NO. SEE CHART

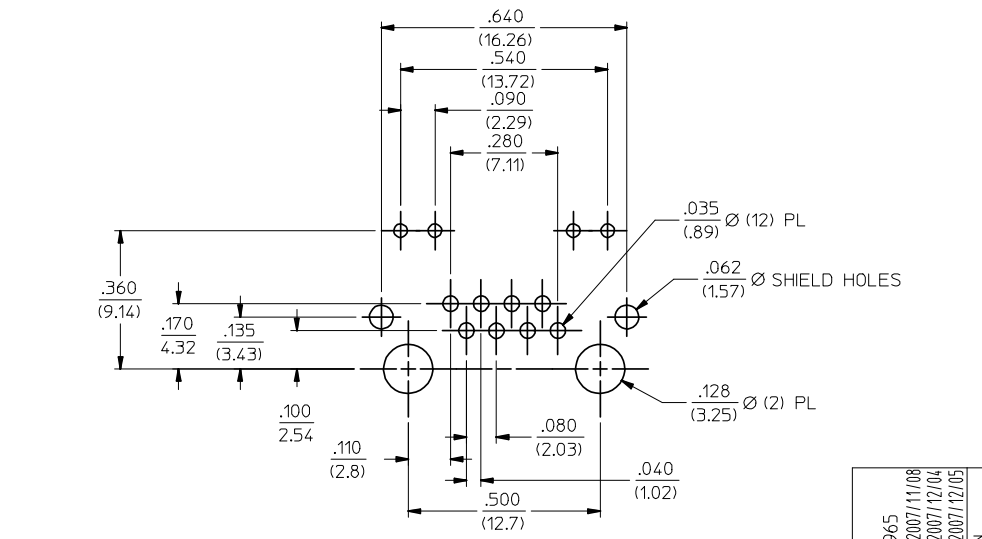
DOCUMENT NO. SD-44380-001

SHEET NO. 4 OF 5

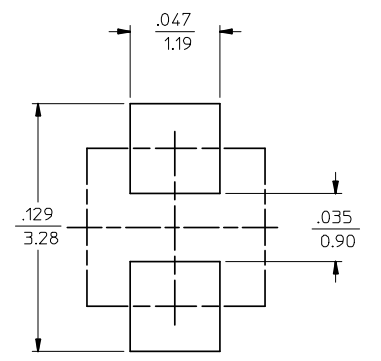
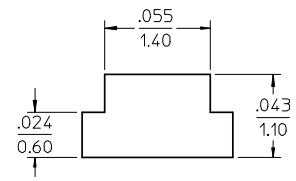
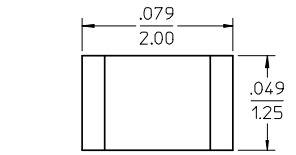
MOLEX MOLEX INCORPORATED



MOLEX RECOMMENDED  
PC BOARD LAYOUT  
COMPONENT SIDE OF BOARD  
RECOMMENDED PC BOARD THICKNESS: .039/1.00



TYPICAL COMPETITION  
PCB LAYOUT WITH  
INTEGRAL LED'S  
(SHOWN FOR REFERENCE ONLY)  
RECOMMENDED PC BOARD THICKNESS: .039/1.00



RECOMMENDED SMT  
LED DIMENSIONS  
SCALE 20:1  
(SEE NOTE 1)

RECOMMENDED SMT  
LED SOLDER PATTERN  
SCALE 20:1  
(SEE NOTE 1)

NOTES:  
1. FOR CROSS REFERENCE OF RECOMMENDED LEDS SEE MOLEX WEB SITE.

SEE SHEET 1 EC NO: UCP2008-0965 DRWN:JBELL 2007/11/08 CHKD:LSCHMIDT 2007/12/04 APPR:FSMITH 2007/12/05	QUALITY SYMBOLS ▽=0 ▽=0	GENERAL TOLERANCES (UNLESS SPECIFIED)	DIMENSION STYLE IN/MM	SCALE 4:1	DESIGN UNITS INCH	THIRD ANGLE PROJECTION													
		<table border="1"> <tr> <th></th> <th>mm</th> <th>INCH</th> </tr> <tr> <td>4 PLACES ±</td> <td>---</td> <td>±---</td> </tr> <tr> <td>3 PLACES ±</td> <td>---</td> <td>±---</td> </tr> <tr> <td>2 PLACES ±</td> <td>---</td> <td>±---</td> </tr> <tr> <td>1 PLACE ±</td> <td>---</td> <td>±---</td> </tr> </table>		mm	INCH	4 PLACES ±	---	±---	3 PLACES ±	---	±---	2 PLACES ±	---	±---	1 PLACE ±	---	±---	DRAWN BY MAYO	DATE 1999/04/09
	mm	INCH																	
4 PLACES ±	---	±---																	
3 PLACES ±	---	±---																	
2 PLACES ±	---	±---																	
1 PLACE ±	---	±---																	
			CHECKED BY ROBERTS	DATE 1999/04/09	MOLEX MOLEX INCORPORATED														
			APPROVED BY ROBERTS	DATE 1999/04/09	DOCUMENT NO. SD-44380-001														
			MATERIAL NO.		SHEET NO. 5 OF 5														
DRAFT WHERE APPLICABLE MUST REMAIN WITHIN DIMENSIONS		SEE CHART		THIS DRAWING CONTAINS INFORMATION THAT IS PROPRIETARY TO MOLEX INCORPORATED AND SHOULD NOT BE USED WITHOUT WRITTEN PERMISSION															