

Apacer

The Most **Reliable**
Storage For Industries



μSDC Plus-M



μSDC Plus-M

Overview

Apacer ultra-small 16x20mm SSD-μSDC complies with JEDEC MO-276 specification, a maximum sequential read/write speed of 495/175 MB/sec, which integrates key components such as controller, flash and DRAM in a single chip using a single ball grid array package (BGA) technology, breaking the traditional size restrictions, and is a great leap forward in terms of technology. In addition, its characteristics such as wide temperature (-40°C ~+85°C) and surface-mount technology (SMT) provide the most stable storage installation for observation and photography even in high altitude.



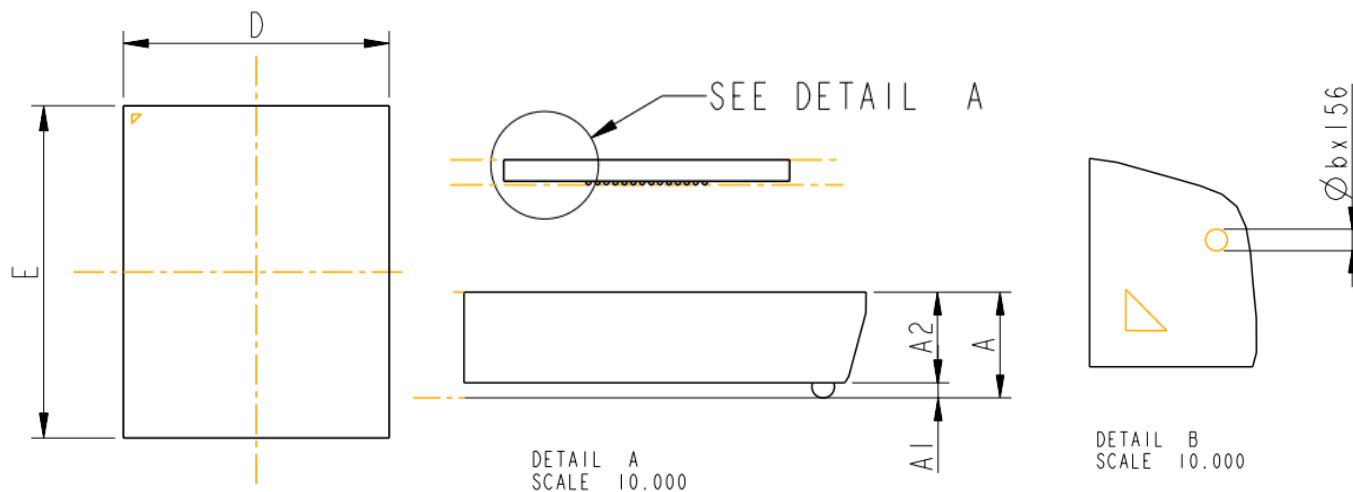
Feature

- Tiny size with outstanding performance
- Compliant with MO-276 standard (16x20x1.4mm)
- SoC (System on chip) /SiP (System in chip) Technology
- Built-in S.M.A.R.T. functions
- TRIM Command Support
- DEVSLP Support

Specifications

Model	μSDC Plus-M
Interface	SATA 3.0 (6Gb/s)
Connector	BGA 156 Ball
Physical Form Factor (Inch)	MO-276
NAND Flash Type	MLC
Capacity	8GB~128GB
External DRAM	
Sustained Read Performance (MB/sec)	Up to 495
Sustained Write Performance (MB/sec)	Up to 175
ECC Engine	Built-in 72-bit per 1K bytes BCH ECC
Standard Operating Temperature (°C)	0 ~ + 70
Extended Operating Temperature (°C)	-40 ~ + 85
Storage Temperature (°C)	-40 ~ + 85
Shock	1500G (complied with MIL-STD810)
Vibration	15G (complied with MIL-STD810)
Operating Voltage	5.0 V ± 5%
Low Power Consumption	Active mode: 440 mA & Idle mode: 135 mA
Dimension (L x W x H)	16 x 20 x 1.4 (mm)
MTBF (hours)	>1,000,000

Mechanical Specification



Unit: mm

Ordering Info

Operation Temp.	8GB	16GB	32GB	64GB
Standard	AP-USDC08GC149-KTM1	AP-USDC16GC249-KTM1	AP-USDC32GC449-KTM1	AP-USDC64GC449-KTM1
Extended	AP-USDC08GE149-KTM1	AP-USDC16GE249-KTM1	AP-USDC32GE449-KTM1	AP-USDC64GE449-KTM1

Operation Temp.	128GB
Standard	AP-USDC128C849-KTM1
Extended	AP-USDC128E849-KTM1

Global Presence

Taiwan (Headquarters)
Apacer Technology Inc.
Tel: +886-2-2267-8000
Fax: +886-2-2267-2261

Europe
Apacer Technology B.V.
Tel: +31-40-267-0000
Fax: +31-40-290-0686

U.S.A.
Apacer Memory America, Inc.
Tel: +1-408-518-8699
Fax: 1-510-249-9551

China
Apacer Electronic(Shanghai)
Co., Ltd.
Tel: +86-21-6228-9939

Japan
Apacer Technology Corp.
Tel: +81-3-5419-2668
Fax: +81-3-5419-0018

India
Apacer Technologies Pvt. Ltd.
Tel: +91-80-41529061~3
Fax: +91-80-41700215