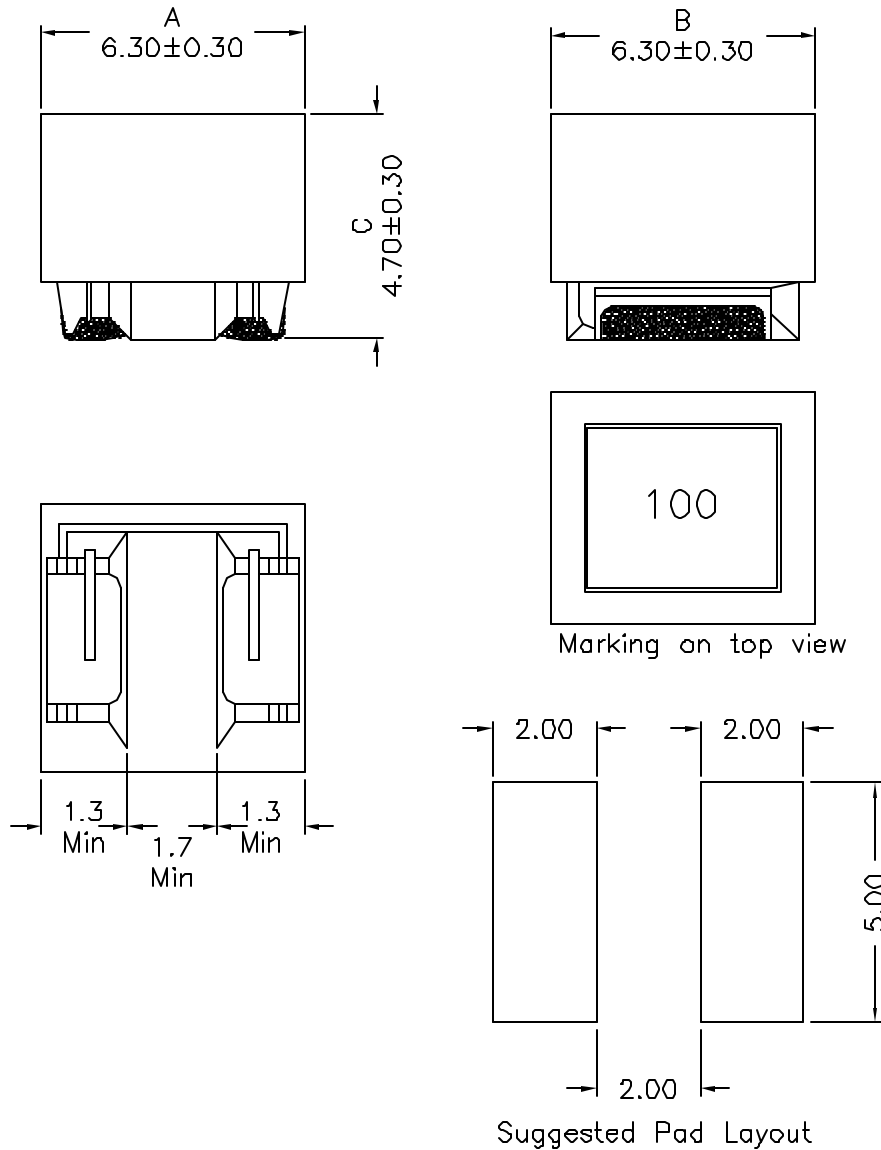
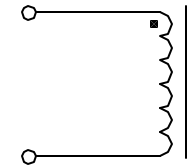


1. Mechanical Dimensions:



2. Schematic:



3. Electrical Specifications:

OCL: $10\mu\text{H} \pm 20\%$ @1MHz 1V, 1600mA
 DCR: 0.036 Ohms $\pm 40\%$
 SRF: 20MHz Min

Notes:

1. Solderability: Leads shall meet MIL-STD-202, Method 208D for solderability.
2. Flammability: UL94V-D
3. ASTM oxygen index: $> 28\%$
4. Insulation System: Class F 155°C. UL file E151556
5. Operating Temperature Range: -25°C to $+80^\circ\text{C}$

XFMRs Inc	Title: INDUCTOR		
UNLESS OTHERWISE SPECIFIED TOLERANCES: .xx ± 0.25 . Dimensions in MM	P/N: XFWIC575047SH-100M		REV. A
	DWN.	Juan Mao	May-03-04
	CHK.	YK Liao	May-03-04
Scale 2.5:1 SHT 1 OF 1	APP.	MS	May-03-04

DOC REV: A/3