



Plenum 4.3-10 Male to 4.3-10 Male Low PIM Cable
200 CM Length Using SPP-250-LLPL Coax, RoHS

RF Cable Assemblies Technical Data Sheet

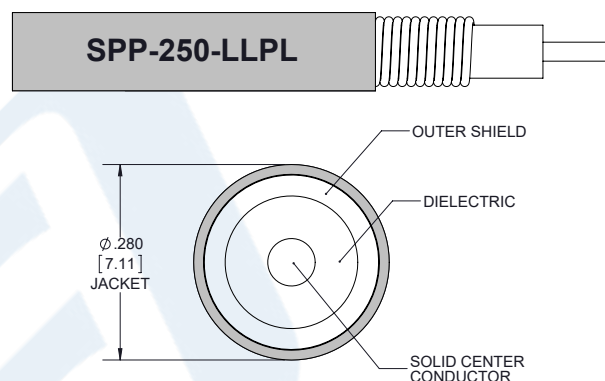
PE3C4142-200CM

Configuration

- Connector 1: 4.3-10 Male
- Connector 2: 4.3-10 Male
- Cable Type: SPP-250-LLPL

Features

- PIM < -160 dBc
- 100% Tested with PIM Test Results Marked on Cable
- UL910 Plenum Rated Cable
- Lightweight and Extremely Flexible
- Low Loss with Excellent VSWR
- IP67 (when mated)



Applications

- Distributed Antenna Systems (DAS)
- Plenum Installations
- Multi-Carrier Communication Systems
- PIM Testing

Description

Pasternack's low PIM plenum cable assemblies using SPP-250-LLPL coax and 4.3-10 male to 4.3-10 male connections are part of our full line of RF components available for same-day shipping. These 4.3-10 male to 4.3-10 male plenum coax cable assemblies deliver low PIM performance to support Distributed Antenna Systems (DAS) and other complex, multi-carrier communication systems. The SPP-250-LLPL coax cable has been certified in accordance with UL910 for plenum coaxial cable installations. Each 4.3-10 male to 4.3-10 male cable assembly is 100% tested for Passive Intermodulation (PIM) and the tested value is marked directly on the cable.

Our 4.3-10 male to 4.3-10 male cable datasheet specifications and drawing with dimensions are shown below in this PDF. Whether the need is to provide a low PIM jumper connection, low PIM test cable or simply create a custom cable assembly configuration, Pasternack has the right cable assemblies for the job.

Electrical Specifications

Description	Minimum	Typical	Maximum	Units
Frequency Range	DC		6	GHz
VSWR			1.35:1	
Velocity of Propagation		76		%
RF Shielding	100			dB
Passive Intermodulation		-165	-160	dBc
Capacitance		26.7 [87.6]		pF/ft [pF/m]
Operating Voltage (AC)			750	Vrms

Click the following link (or enter part number in "SEARCH" on website) to obtain additional part information including price, inventory and certifications: [Plenum 4.3-10 Male to 4.3-10 Male Low PIM Cable 200 CM Length Using SPP-250-LLPL Coax, RoHS PE3C4142-200CM](#)





Plenum 4.3-10 Male to 4.3-10 Male Low PIM Cable
 200 CM Length Using SPP-250-LLPL Coax, RoHS

RF Cable Assemblies Technical Data Sheet

PE3C4142-200CM

Specifications by Frequency

Description	F1	F2	F3	F4	F5	Units
Frequency	0.7	2	6			GHz
Insertion Loss (Max.)	0.42	0.74	1.35			dB
VSWR (Max.)	1.25:1	1.25:1	1.35:1			
Power Handling (Max.)		460	250			Watts

Electrical Specification Notes:
 Values at 25°C, sea level
 PIM test results vary between cables

Mechanical Specifications

Cable Assembly

Length* 78.74 in [200 cm]
 Diameter 0.28 in [7.11 mm]

Cable

Cable Type SPP-250-LLPL
 Impedance 50 Ohms
 Inner Conductor Type Solid
 Inner Conductor Material and Plating Copper, Bare
 Dielectric Type PTFE
 Number of Shields 1
 Shield Layer 1 Helically Corrugated Copper Tube
 Outer Conductor Diameter 0.25 in [6.35 mm]
 Jacket Material FEP
 Jacket Diameter 0.28 in [7.11 mm]

One Time Minimum Bend Radius 1.5 in [38.1 mm]

Click the following link (or enter part number in "SEARCH" on website) to obtain additional part information including price, inventory and certifications: [Plenum 4.3-10 Male to 4.3-10 Male Low PIM Cable 200 CM Length Using SPP-250-LLPL Coax, RoHS PE3C4142-200CM](#)



Plenum 4.3-10 Male to 4.3-10 Male Low PIM Cable
200 CM Length Using SPP-250-LLPL Coax, RoHS

RF Cable Assemblies Technical Data Sheet

PE3C4142-200CM

Connectors

Description	Connector 1	Connector 2
Type	4.3-10 Male	4.3-10 Male
Impedance	50 Ohms	50 Ohms
Contact Material and Plating	Brass, Silver	Brass, Silver
Dielectric Type	PTFE	PTFE
Body Material and Plating	Brass, Tri-Metal	Brass, Tri-Metal
Seal Gasket Material	Silicone Rubber	Silicone Rubber

Mechanical Specification Notes:

*All cable assemblies have a length tolerance of 1.5% or $\pm 3/8$ ", whichever is greater.

Environmental Specifications

Temperature

Operating Range
Plenum Rating

-55 to +125 deg C
UL910

Compliance Certifications (see [product page](#) for current document)

Plotted and Other Data

Notes:

- Values at 25°C, sea level.

Click the following link (or enter part number in "SEARCH" on website) to obtain additional part information including price, inventory and certifications: [Plenum 4.3-10 Male to 4.3-10 Male Low PIM Cable 200 CM Length Using SPP-250-LLPL Coax, RoHS PE3C4142-200CM](#)





Plenum 4.3-10 Male to 4.3-10 Male Low PIM Cable
200 CM Length Using SPP-250-LLPL Coax, RoHS

RF Cable Assemblies Technical Data Sheet

PE3C4142-200CM

Typical Performance Data



Click the following link (or enter part number in "SEARCH" on website) to obtain additional part information including price, inventory and certifications: [Plenum 4.3-10 Male to 4.3-10 Male Low PIM Cable 200 CM Length Using SPP-250-LLPL Coax, RoHS PE3C4142-200CM](#)





Plenum 4.3-10 Male to 4.3-10 Male Low PIM Cable
 200 CM Length Using SPP-250-LLPL Coax, RoHS

RF Cable Assemblies Technical Data Sheet

PE3C4142-200CM

How to Order

Part Number Configuration:

PE3C4142

- **xx**

uu

Unit of Measure:

cm = Centimeters

<blank> = Inches

Length

Base Number

Example: PE3C4142-12 = 12 inches long cable
 PE3C4142-100cm = 100 cm long cable

Plenum 4.3-10 Male to 4.3-10 Male Low PIM Cable 200 CM Length Using SPP-250-LLPL Coax, RoHS from Pasternack Enterprises has same day shipment for domestic and International orders. Our RF, microwave and millimeter wave products maintain a 99.4% availability and are part of the broadest selection in the industry.

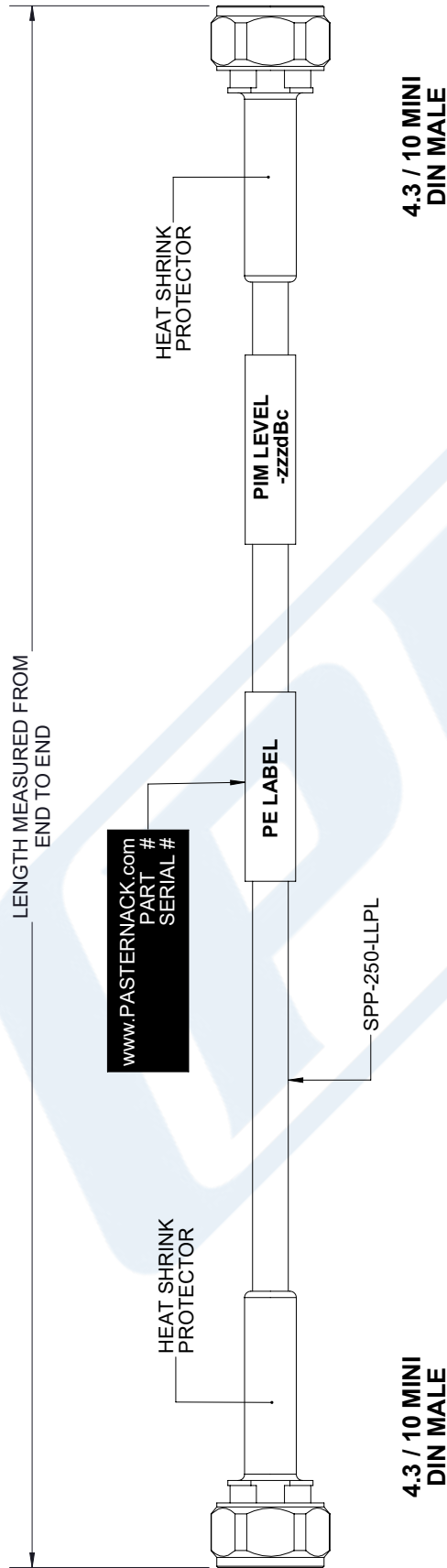
Click the following link (or enter part number in "SEARCH" on website) to obtain additional part information including price, inventory and certifications: [Plenum 4.3-10 Male to 4.3-10 Male Low PIM Cable 200 CM Length Using SPP-250-LLPL Coax, RoHS PE3C4142-200CM](https://www.pasternack.com/4.3-10-male-4.3-10-male-spp250llpl-cable-assembly-pe3c4142-200cm-p.aspx)

URL: <https://www.pasternack.com/4.3-10-male-4.3-10-male-spp250llpl-cable-assembly-pe3c4142-200cm-p.aspx>

The information contained in this document is accurate to the best of our knowledge and representative of the part described herein. It may be necessary to make modifications to the part and/or the documentation of the part, in order to implement improvements. Pasternack reserves the right to make such changes as required. Unless otherwise stated, all specifications are nominal. Pasternack does not make any representation or warranty regarding the suitability of the part described herein for any particular purpose, and Pasternack does not assume any liability arising out of the use of any part or documentation.

PE3C4142-200CM CAD Drawing

Plenum 4.3-10 Male to 4.3-10 Male Low PIM Cable 200 CM
Length Using SPP-250-LLPL Coax, RoHS



STANDARD TOLERANCES	
.X	±0.2
.XX	±0.01
.XXX	±0.005

*STANDARD TOLERANCES APPLY ONLY TO DIMENSIONS IN INCHES

<p>PE PASTERNAK THE ENGINEER'S RF SOURCE Pasternack Enterprises, Inc. P.O. Box 16759 Irvine CA 92623 Phone: (949) 261-1920 Fax: (949) 261-7451 Website: www.pasternack.com E-Mail: sales@pasternack.com</p>		<p>DWG TITLE PE3C4142</p>		<p>NOTES: 1. UNLESS OTHERWISE SPECIFIED ALL DIMENSIONS ARE NOMINAL. 2. ALL SPECIFICATIONS ARE SUBJECT TO CHANGE WITHOUT NOTICE AT ANY TIME 3. DIMENSIONS ARE IN INCHES [mm].</p>	
<p>CAGE CODE 53919</p>		<p>CAD FILE 080417</p>		<p>SCALE N/A</p>	
<p>SIZE A</p>		<p>SIZE A</p>		<p>9999</p>	