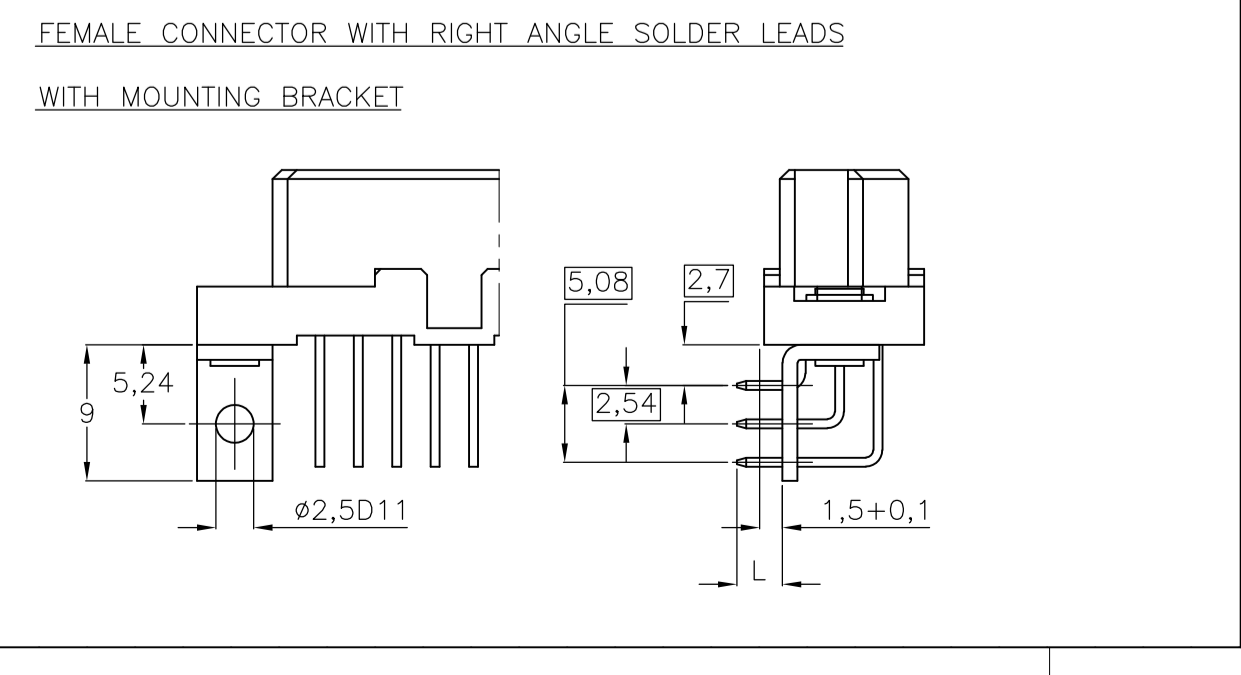
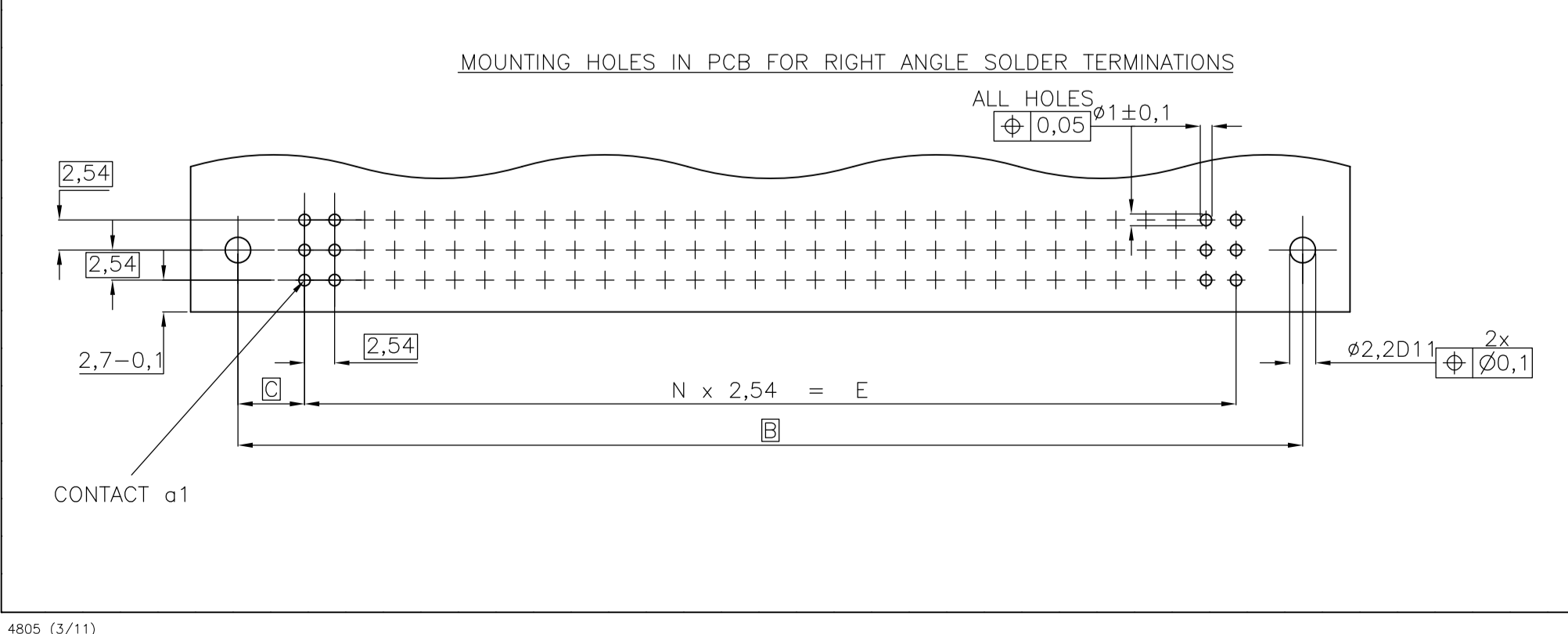
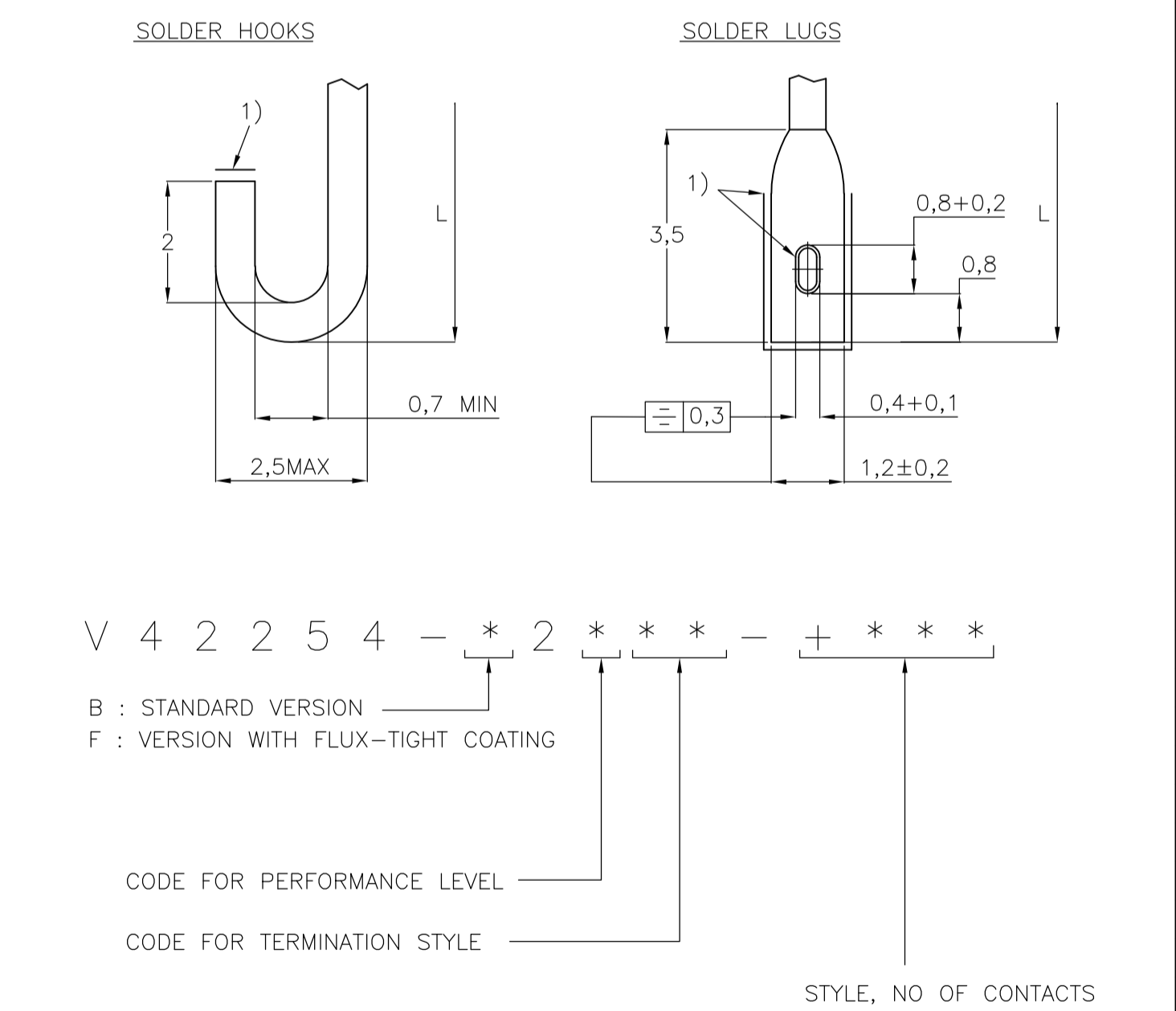
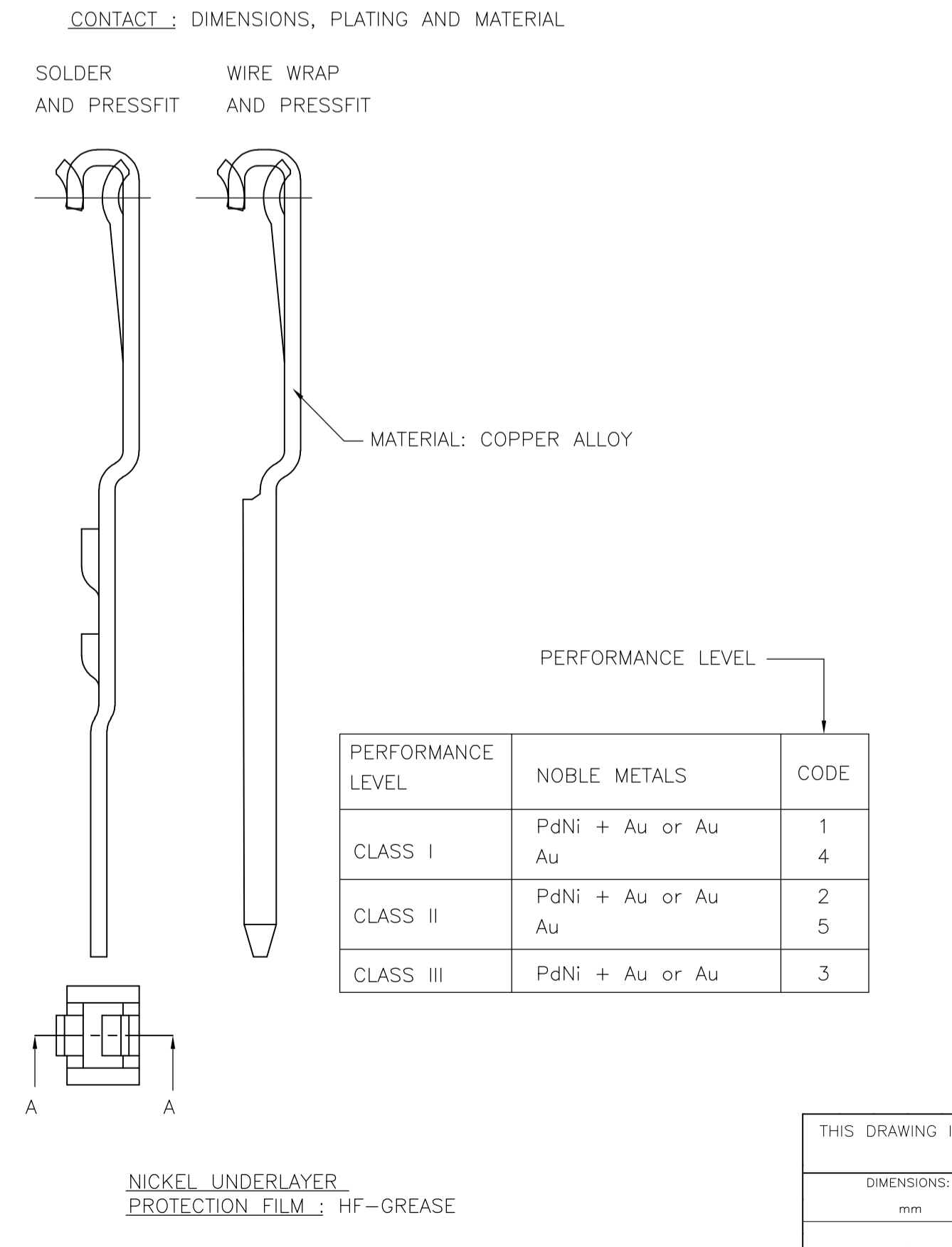
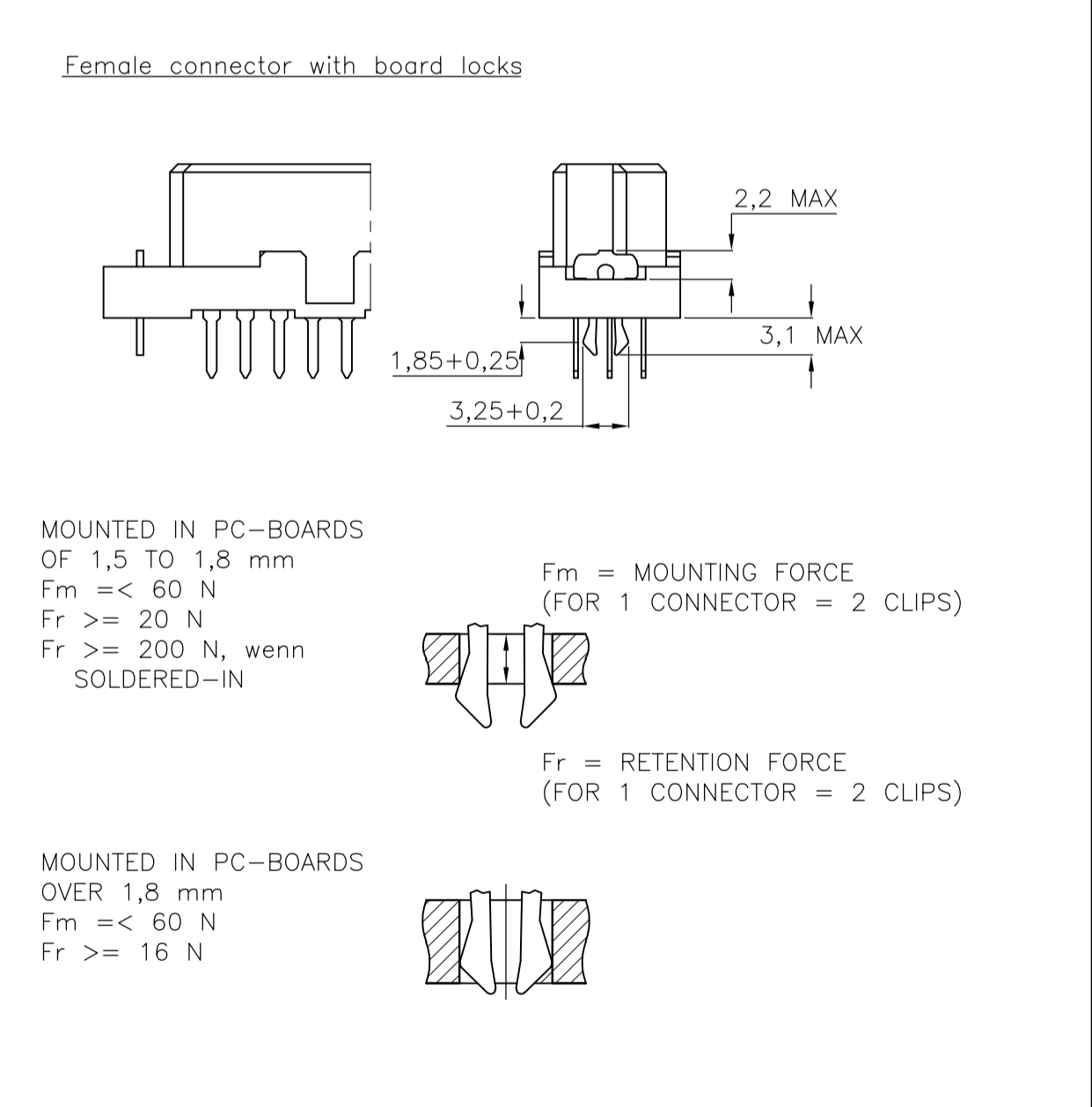
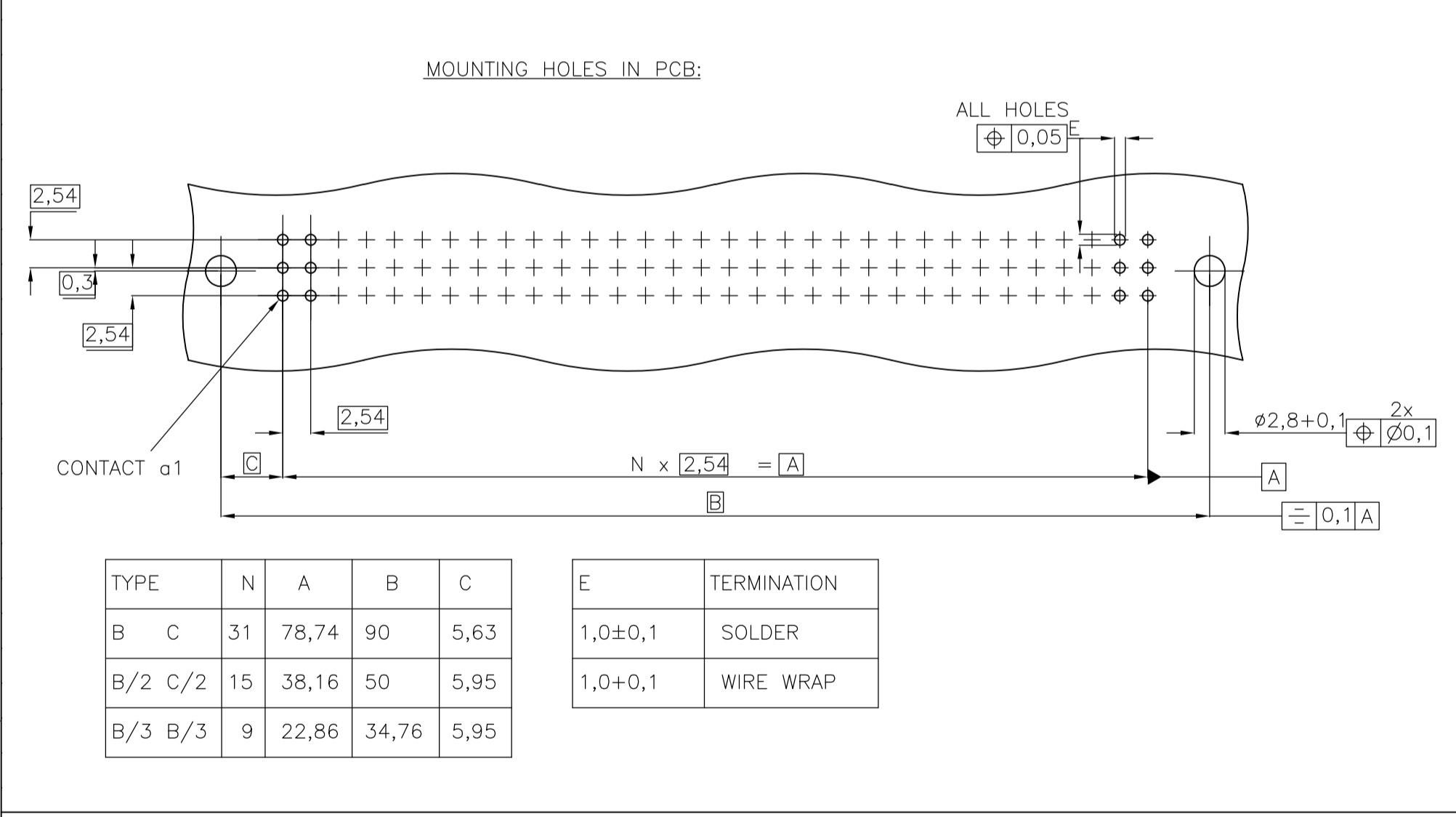


REVISONS		DATE	DN	APVD
AD	00	14JAN2013	BC	RP

SOLDER TERMINATIONS		TERMINATION STYLES	
	SOLDER	L	CODE
	SOLDER	2,9±0,3 3,7±0,3 4,5±0,3 6±0,3	01 05 02 03
	WIRE WRAP	7,3±0,3	04
	WIRE WRAP	13±0,5	40
	SOLDER HOOKS	5,5±0,3 10±0,5	30
	SOLDER LUGS	5,5±0,3 10-0,5	35
	SOLDER RIGHT ANGLE	1,55-0,4	00
	SOLDER RIGHT ANGLE WITH MOUNTING BRACKET	3-0,4	10
	TERMINATION WITH SN	13±0,5 17±0,5 4±0,5 13±0,5 17±0,5 6±0,5 6±0,5	60 61 63 66 67 69 70



THIS DRAWING IS A CONTROLLED DOCUMENT.		DIN CUVIELIER 14FEB89	TE Connectivity	
DIMENSIONS: mm		TOLERANCES UNLESS OTHERWISE SPECIFIED:	RECEPTACLE ASSEMBLY EUROCARD TYPES B,C AND SHORT VERSIONS (PN:V42254-B2***-C***-7626)	
0 PLC ±		1 PLC ±	SIZE A1	
2 PLC ±		2 PLC ±	CAGE CODE DRAWING NO 00779	
3 PLC ±		3 PLC ±	SCALE NTS	
4 PLC ±		4 PLC ±	SHEET 1 of 2	
MATERIAL		FINISH	REV B11	
CUSTOMER DRAWING		RESTRICTED TO		

Table with columns: P, LTR, DESCRIPTION, DATE, DWN, APVO. Row 1: SEE SHEET 1, -, -, -

Main table with columns: PRODUCT DESCRIPTION CODE, TE PN, STYLE & NUMBER OF POSITIONS, TERMINATION POSTS, LOADED ROWS, PERFORMANCE LEVEL, BOARD LOCKS. Contains multiple rows of connector specifications.

3) ACCORDING TO BT 236 LEVEL 2.
2) CONNECTORS HAVE A FLUX-TIGHT COATING.
1) NO COMPANY NAME MARKED ON THE CONNECTOR.

ACTIVE PART NUMBERS.
CONTACT TE FOR OTHER CONFIGURATION AVAILABILITY

Technical drawing header block including: THIS DRAWING IS A CONTROLLED DOCUMENT, DIMENSIONS, TOLERANCES, MATERIAL, FINISH, WEIGHT, CUSTOMER DRAWING, and ST logo with TE Connectivity text.