

4	CONTACTS(TYPE2)	3	COPPER ALLOY/ PLATED GOLD IN CONTACT AREA ; TIN-LEAD ON TAILS
3	CONTACTS(TYPE1)	3	COPPER ALLOY/ PLATED IN CONTACT AREA ; TIN-LEAD ON TAILS
2	HOUSING	1	THERMOPLASTIC, GLASS FILLED, 130°C UL 94V-0 RATED
1	SHELL	1	STEEL/TIN-LEAD PLATED OVER COPPER

REV.	DESCRIPTION	DRWN/DATE	CHECK/DATE	APPROVED/DATE
A	NEW RELEASE PER ECR-01110	PETER 03/20/01'	~	MAX 04/02/01'
B	REV PER SZEGR-01805 Δ X2	FLYING 11/14/01'	TOM 11/15/01'	MAX 11/15/01'
C	REV PER SZEGR-02351 Δ X7	FLYING 08/19/02'	~	TOM 08/19/02'

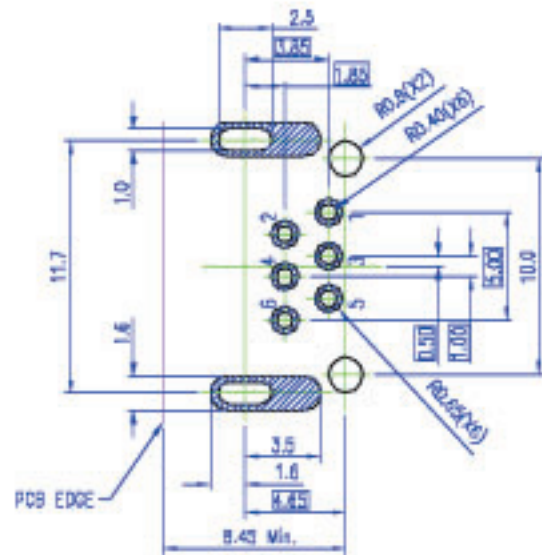
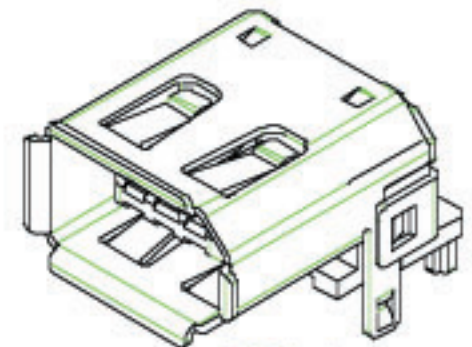
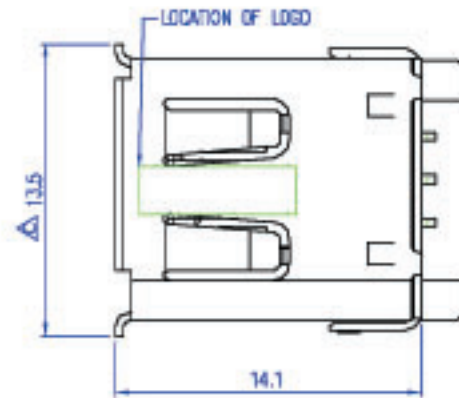


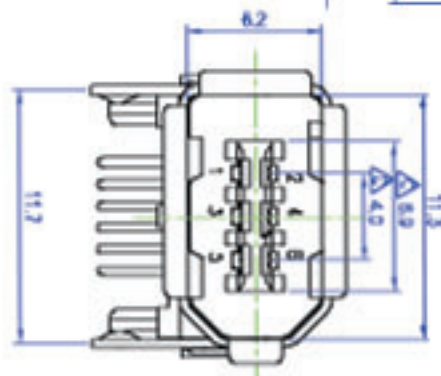
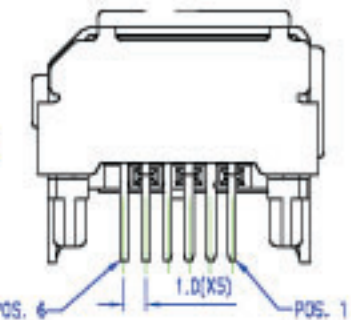
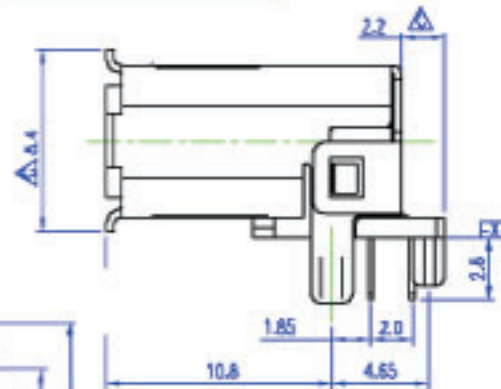
FIGURE A: PCB FOOTPRINT FOR RECEPTACLE (THROUGH-HOLE)

NOTES :

1. RECOMMENDED PC BOARD THICKNESS OF 1.57mm
2. THIS ALLOW FOR A PANEL THICKNESS OF 2.87mm MAXIMUM, IF THE RECEPTACLE CONNECTOR IS MOUNTED BEHIND A PANEL.
3. RECOMMENDED PC BOARD MOUNTING DIMENSION : REFER TO FIGURE A
4. PRODUCT NUMBERING CODE : REFER TO TABLE A
5. DATUM AND BASIC DIMENSIONS ESTABLISHED BY CUSTOMER
6. PRODUCT SPECIFICATION NO. : CSP-FMW10-00-00
- Δ 7. ELECTRICAL CHARACTERISTICS:
 - 7.1. LOW LEVEL CONTACT RESISTANCE: 30 MILLIOHMS Max.
 - 7.2. DIELECTRIC WITHSTANDING VOLTAGE: 500 VAC
 - 7.3. INSULATOR RESISTANCE: 100 MEGAOHMS Min.
 - 7.4. CONTACT CURRENT RATING: 1.0 Ampere Max
- Δ 8. MECHANICAL CHARACTERISTICS:
 - 8.1. CONNECTOR MATING FORCE: 39.2 Newtons Max
 - 8.2. CONNECTOR UNMATING FORCE: 9.8 Newtons Min
 - 8.3. DURABILITY: 1500 CYCLES
 - 8.4. TEMPERATURE RANGE: +15°C TO +85°C



SCALE 4 : 1



GENERAL TOLERANCE		ANGLE TOLERANCE		DRWN	DNTE	ASSMANN ELECTRONICS, INC.	
X	±0.35	K	±5.0°	PETER	12/13/00'	FILE	
X	±0.25	X	±2.0°	OSBEN	DNTE		
JX	±0.15	JX	±1.0°	Max	09/27/00'	A-IE-S-DIP	
J00	±0.05	J00	±1.0°				
MATERIAL: SEE NOTES		CHECKED: DNTE		APPROVED: Max		DNTE	DATE: 04/02/01'
FINISH: SEE NOTES		SCALE 4 : 1		UNIT: mm		SERIES	MAX: A3
SHEET 1 of 2		DRAWING NO. C-FMW20-00-00		REV: C			