

CONNECTOR FRONT EDGE

RECOMMENDED P.C.B. LAYOUT  
TOLERANCE UNSPECIFIED ±0.05mm

NOTE:

1.MATERIAL:

- 1.1 INSULATOR: HIGH TEMPERATURE PLASTIC UL 94 V-0; Color:SEE TABLE
- 1.2 CONTACT: C7025(T=0.12mm)
- 1.3 SHELL:STAINLESS STEEL(T=0.30mm)
- 1.4 MID PLATE:STAINLESS STEEL(T=0.15mm)

2.ELECTRICAL CHARACTERISTICS:

- 2.1 CONTACT RESISTANCE: 40mΩ Max FOR INITIAL. 10mΩ CHANGE AFTER TEST. MEASURE AT 20mV, 100mA.
- 2.2 CONTACT CURRENT RATING: 5A FOR COLLECTIVELY POWER SUPPLY

- PIN(PINA1,A4,A9,A12,B1,B4,B9,B12); 1.25A FOR VCONN PIN; 0.25A FOR OTHER SIGNAL PIN.
- 2.3 DIELECTRIC WITHSTANDING VOLTAGE: 100V AC R.M.S.
- 2.4 INSULATION RESISTANCE 100MΩ Min
- 2.5 OPERATING TEMPERATURE: -40°C ~ 85°C

3 MECHANICAL CHARACTERISTICS:

- 3.1 MATING FORCE: 5-20 N.
- 3.2 UNMATED FORCE: 8-20N INITIAL TEST; 6-20N DURABILITY AFTER TEST
- 3.3 DURABILITY: 10,000 CYCLES

4.PLATING

- 4.1 TERMINAL CONTACT: 3u" GOLD PLATING ON CONTACT AREA, ALL OVER 50u" Min NICKEL AND 1u" Min Matte GOLD ALL OVER 50u" Min NICKEL ON SOLDER AREA
- 4.2 SHELL: 50u" Min. NICKEL ALL OVER,
- 4.3 INNER GROUND COVER SHELL: CLEAN
- 4.4 MID PLATE: CLEAN

6	SHELL	STAINLESS STEEL	NI/SN Plated	1PCS							
5	SHIELDING PLATE	STAINLESS STEEL	---	1PCS							
4	MD	HIGH TEMPERATURE PLASTIC	BLACK	1PCS							
3	CONTACT	COPPER ALLOY	Au/Ni Plated	1SET							
2	CONTACT	COPPER ALLOY	Au/Ni Plated	1SET							
1	HOUSING	HIGH TEMPERATURE PLASTIC	BLACK	1PCS							
NO.	DESCRIPTION	MATERIAL		REMARKS	QTY						
A1		A4	A5	A6	A7	A8	A9			A12	
GND	TX1+	TX1-	VBUS	CC1	D+	D-	SBU1	VBUS	RX2-	RX2+	GND
GND	RX1+	RX1-	VBUS	SBU2	D-	D+	CC2	VBUS	TX2-	TX2+	GND
B12		B9	B8	B7	B6	B5	B4			B1	



Unless otherwise specified, Tolerance:  
X. ±0.30  
X.x ±0.20  
X.xx ±0.15  
X.xxx ±0.10  
Angles ±3°

**Pinzan Electronics (Dongguan) Co., Ltd.**

DESIGN Li Qingqi DATE 2022.03.28

Molde code:

Specifications  
Type-C Receptacle 16pin sinking plate 1.6 integrated 6.50

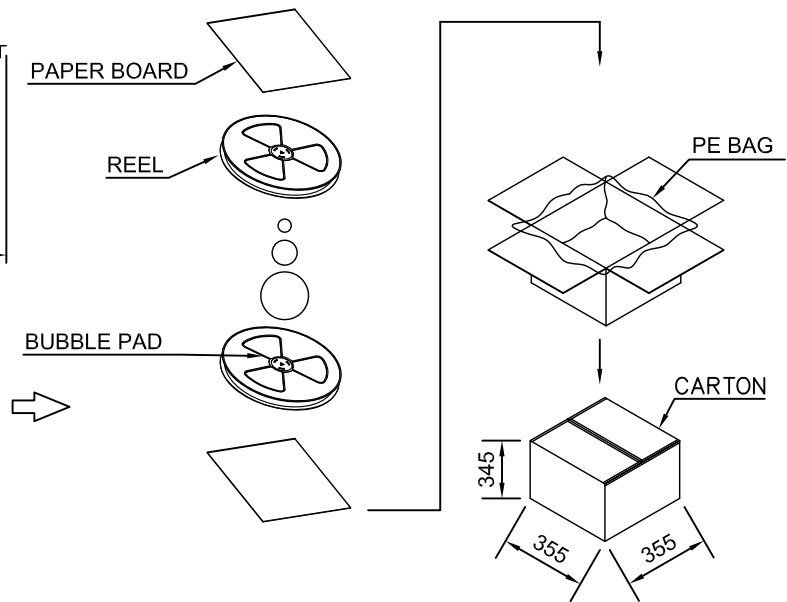
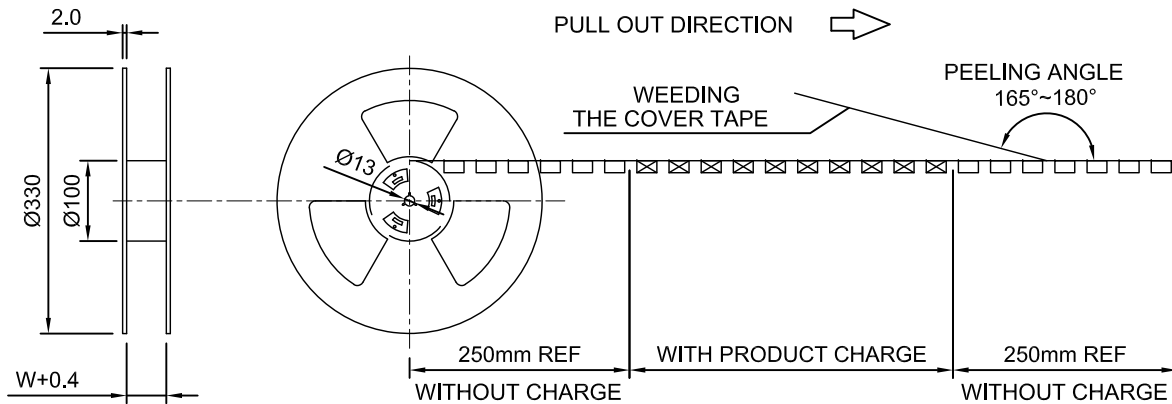
GT-USB-9014C

<http://www.dg-switch.com>

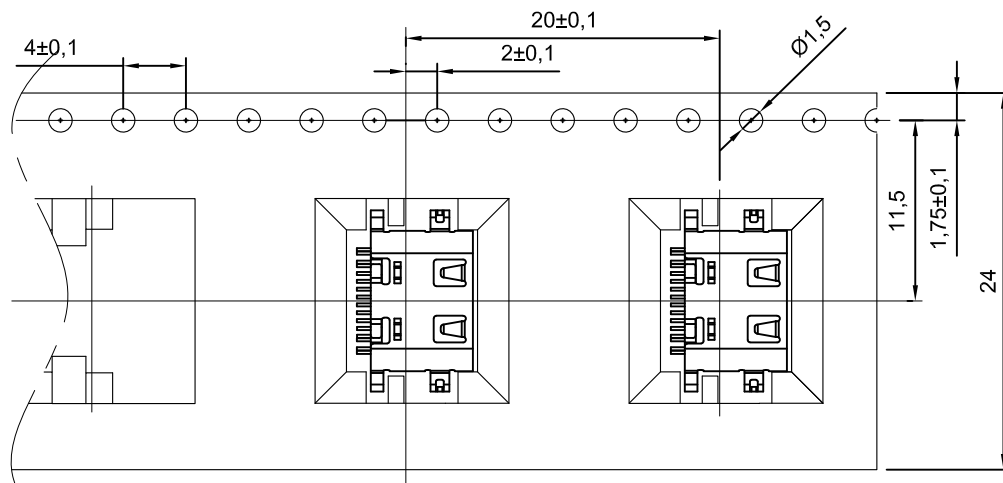
REV.: X1 SCALE: 4:1 UNIT: mm


TEL:0769-82388879

SIZE: A4 SHEET: 1/1



NOTE:  
1. QUANTITY: 1000 PCS/REEL, 10000PCS/CARTON.



	<b>Pinzan Electronics (Dongguan) Co., Ltd.</b>	
	DESIGN Li Qingqi    DATE 2022.03.28	Molde code: <b>GT-USB-9014C</b>
Unless otherwise specified, Tolerance: X.                    ±0.30 X.x                  ±0.20 X.xx                ±0.15 X.xxx               ±0.10 Angles              ±3°	Specifications Type-C Receptacle 16pin slinking plate 1.6 Integrated 6,50 <a href="http://www.dg-switch.com">http://www.dg-switch.com</a>	REV.: X1    SCALE: 4:1    UNIT: mm SIZE: A4    SHEET: 1/1
TEL: 0769-82388879	