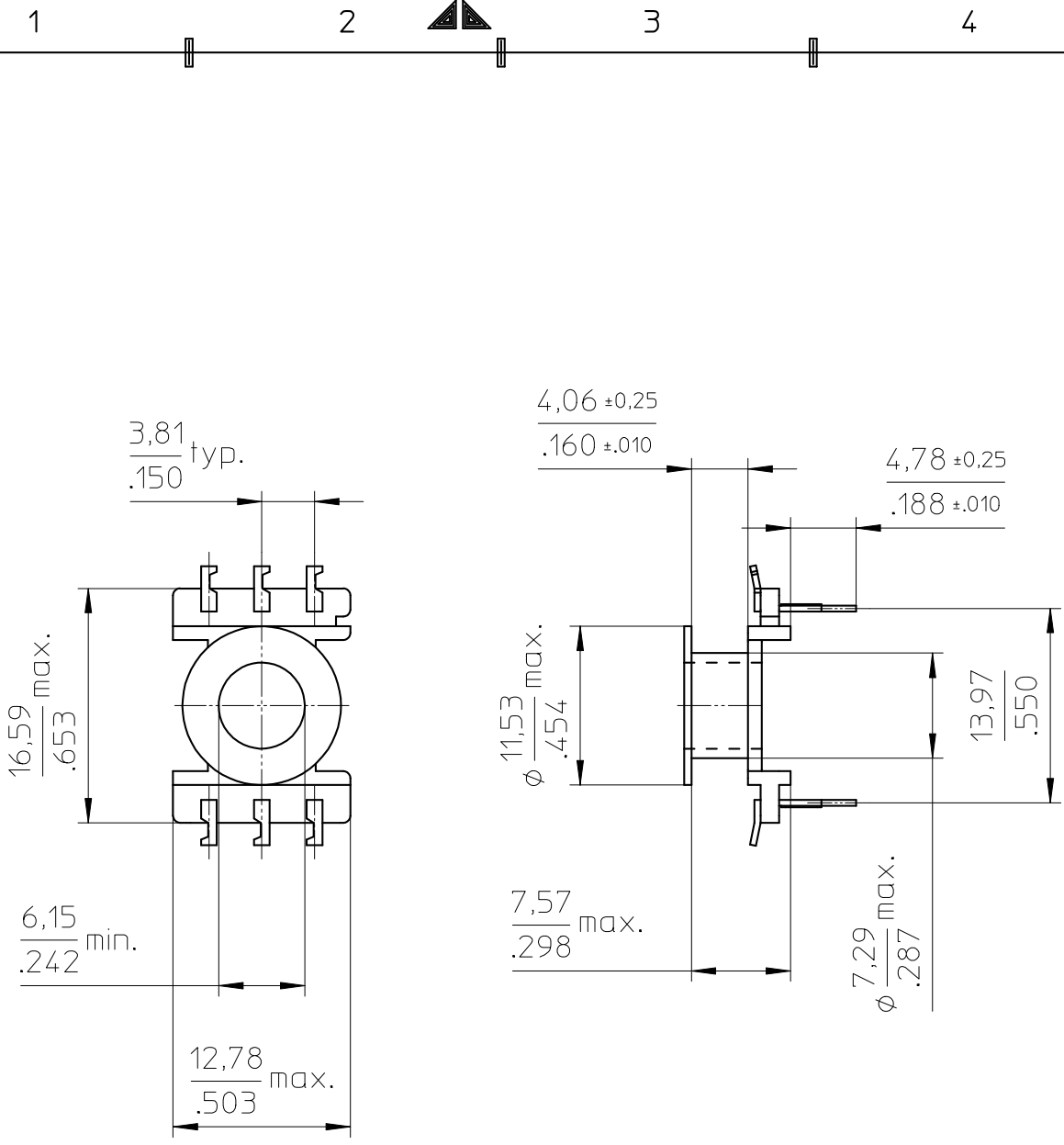


FERROXCUBE



Coil former material: Zytel FR50 (PA), glass-reinforced
 UL file number: E41938 - UL94V-0
 pin material: 70/30 brass, SnPb plated
 solderability: acc. to MIL-STD 202, method 208

CLASS.NO.	CPV-PT14/8-1S-6P		4335 000 26671		01-06-01		
					02-11-25		
NAME NAAM	Tjon	SUPERS. VERV.	001	SH BL.	SH BL.	112 - 01	A4
MPA	CHECK CONTR.	DAT.	Property of Eigendom van		© FERROXCUBE 2002		