

KLB-0315 W

KLB-0315 W is a white color LED, which has a white LED chip and

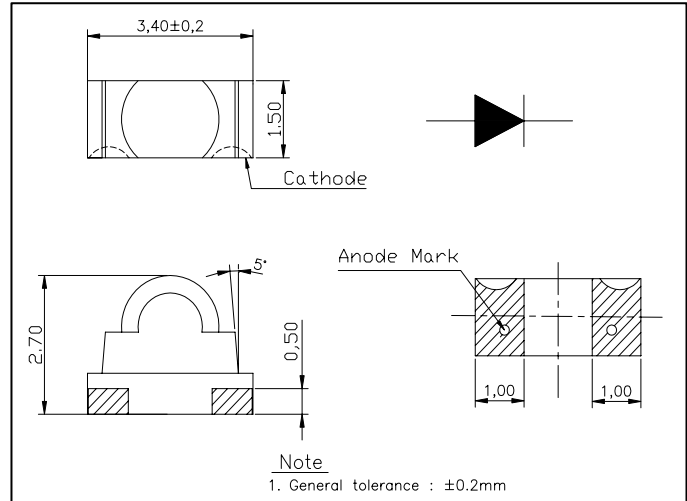
Features

- Color Temperature : 4,000 ~ 10,000K

Applications

- Amusement
- Indicator
- Display

DIMENSIONS



Maximum Ratings

[Ta=25°C]

Parameter	Symbol	Ratings	Unit
Forward current	I_F	20	mA
Pulse forward current ^{*1}	I_{FP}	30	mA
Power dissipation	P_D	100	mW
Operating temperature	$T_{opr.}$	-30 ~ +85	°C
Storage temperature	$T_{stg.}$	-40 ~ +100	°C
Soldering Temperature ^{*2}	$T_{sol.}$	260	°C

*1. I_{FP} Measured under duty $\leq 1/10$ @ 1KHz

*2. Soldering time ≤ 5 Sec

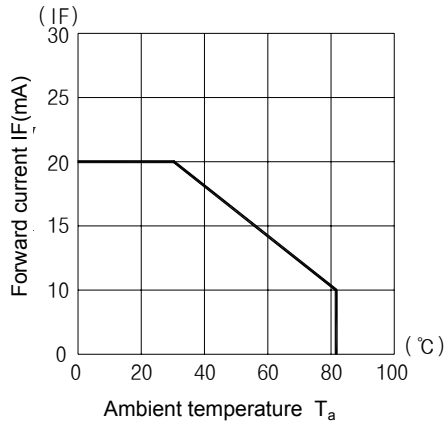
Electro-Optical Characteristics

[Ta=25°C]

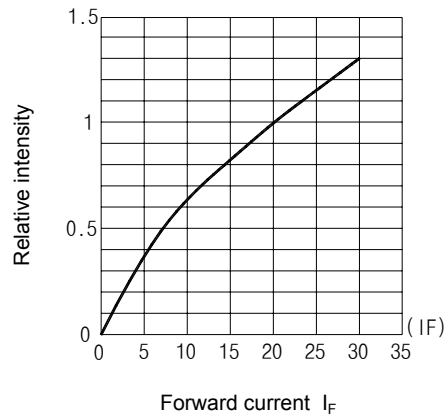
Parameter	Symbol	Conditions	Min	Typ	Max	Unit
Forward voltage	V_F	$I_F = 10$ mA	2.8	3.1	3.5	V
Luminous Intensity	I_v	$I_F = 10$ mA	500	750	1000	mcd
Color Coordinate	x	$I_F = 10$ mA	-	0.310	-	-
	y		-	0.360	-	
Half angle	$2\Delta\theta_{1/2}$	$I_F = 10$ mA	-	40	-	deg.

KLB-0315 W

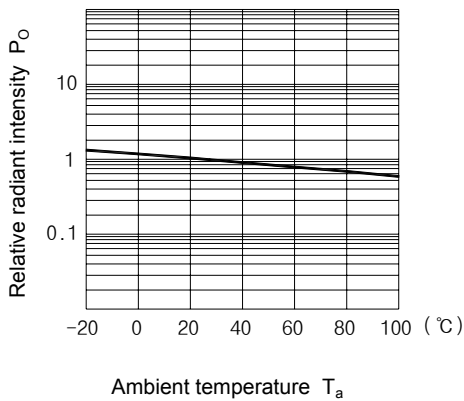
Forward current vs. Ambient temperature



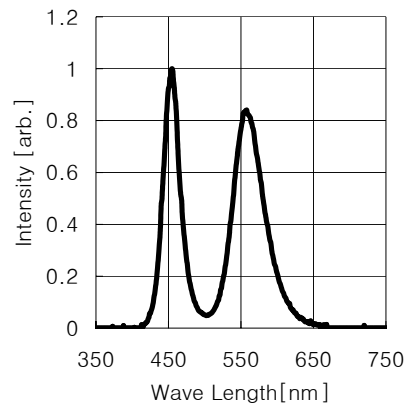
Radiant Intensity vs. Forward current



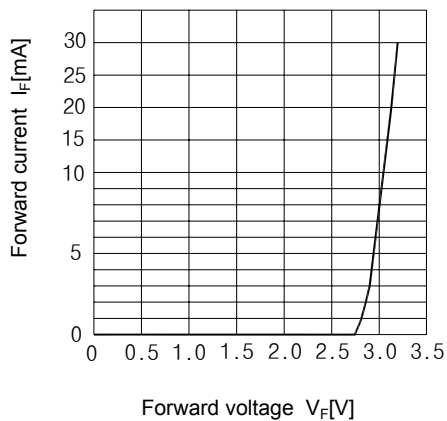
Relative radiant intensity vs. Ambient temperature



Relative intensity vs. Wavelength



Forward current vs. Forward voltage



Radiant Pattern

