

2.50mm (0.098") PITCH CONNECTOR

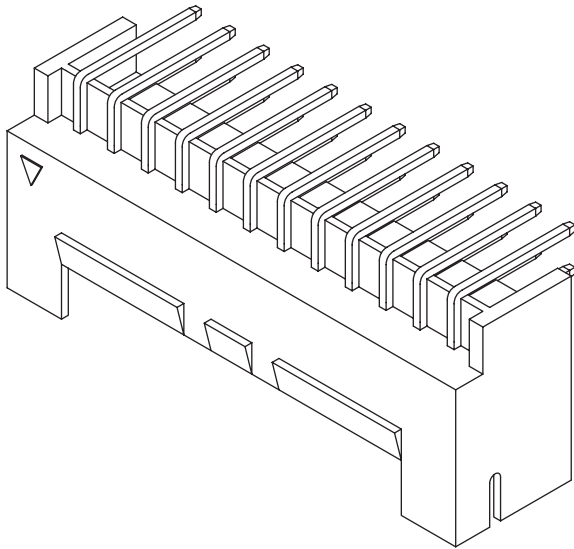


Wire-to-Board
Wafer

SMAW250-NNV Series

DIP

Right Angle

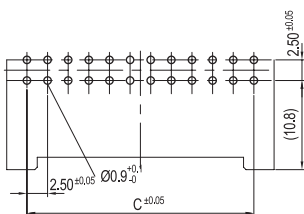
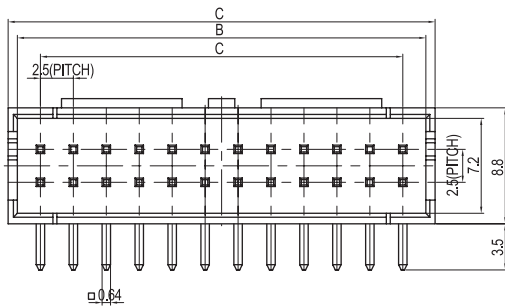
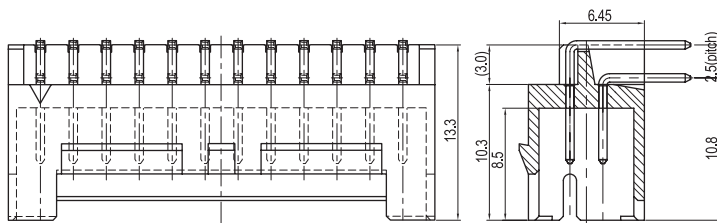


Material

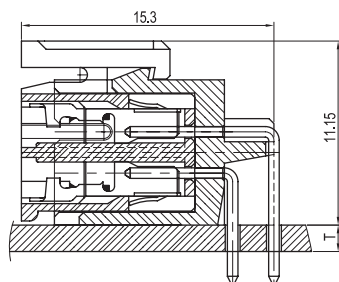
| I/NO | DESCRIPTION | TITLE | MATERIAL |
|------|-------------|----------------|--------------------|
| 1 | WAFER | SMAW250 - NN V | PA66, UL94 V Grade |
| 2 | PIN | | Brass & Tin-Plated |

Available Pin

| PARTS NO. | A | B | C |
|---------------|-------|------|-------|
| SMAW250 - 04V | 7.45 | 5.8 | 2.50 |
| SMAW250 - 06V | 9.95 | 8.3 | 5.00 |
| SMAW250 - 08V | 12.45 | 10.8 | 7.50 |
| SMAW250 - 10V | 14.95 | 13.3 | 10.00 |
| SMAW250 - 12V | 17.45 | 15.8 | 12.50 |
| SMAW250 - 14V | 19.95 | 18.3 | 15.00 |
| SMAW250 - 16V | 22.45 | 20.8 | 17.50 |
| SMAW250 - 18V | 24.95 | 23.3 | 20.00 |
| SMAW250 - 20V | 27.45 | 25.8 | 22.50 |
| SMAW250 - 22V | 29.95 | 28.3 | 25.00 |
| SMAW250 - 24V | 32.45 | 30.8 | 27.50 |
| SMAW250 - 26V | 34.95 | 33.3 | 30.00 |
| SMAW250 - 28V | 37.45 | 35.8 | 32.50 |
| SMAW250 - 30V | 39.95 | 38.3 | 35.00 |



PCB LAYOUT



PCB ASSY

Specification

| ITEM | SPEC |
|------------------------|--------------|
| Voltage Rating | AC/DC 250V |
| Current Rating | AC/DC 3A |
| Operating Temperature | -25°C~+85°C |
| Contact Resistance | 30mΩ MAX |
| Withstanding Voltage | AC1000V/1min |
| Insulation Resistance | 1000MΩ MIN |
| Applicable Wire | - |
| Applicable P.C.B | 1.2~1.6mm |
| Applicable FPC/FFC | - |
| Solder Height | - |
| Crimp Tensile Strength | - |
| UL FILE NO | E108706 |