

**PLEASE CHECK WWW.MOLEX.COM FOR LATEST PART INFORMATION**

**Part Number:** [0942403318](#)  
**Status:** **Active**  
**Description:** 2.54mm (.100") Pitch, MOX Header, 3.50mm (.137") Grid, Through Hole, PBT, Vertical, 18 Circuits, Black

**Documents:**

[3D Model](#) [Product Specification PS-94240-001 \(PDF\)](#)  
[Drawing \(PDF\)](#) [RoHS Certificate of Compliance \(PDF\)](#)

**General**

Product Family	PCB Headers
Series	<a href="#">94240</a>
Application	Wire-to-Board
Product Name	MOX

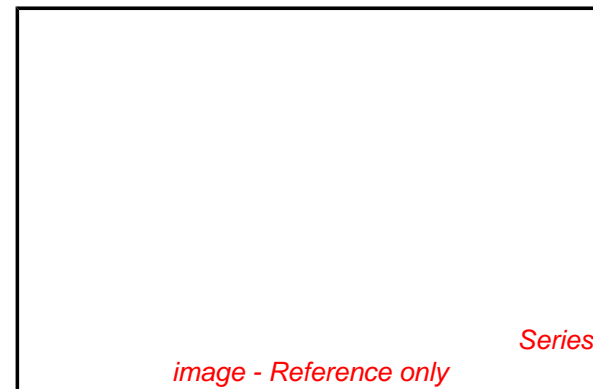
**Physical**

Breakaway	No
Circuits (Loaded)	18
Circuits (maximum)	18
Color - Resin	Black
Durability (mating cycles max)	100
First Mate / Last Break	No
Glow-Wire Compliant	No
Lock to Mating Part	Yes
Material - Metal	Brass
Material - Plating Mating	Tin
Material - Plating Termination	Tin
Material - Resin	Polyester
Number of Rows	2
Orientation	Vertical
PC Tail Length (in)	0.130 In
PC Tail Length (mm)	3.30 mm
PCB Locator	Yes
PCB Retention	Yes
PCB Thickness Recommended (in)	0.062 In
PCB Thickness Recommended (mm)	1.60 mm
Packaging Type	Tray
Pitch - Mating Interface (in)	0.100 In
Pitch - Mating Interface (mm)	2.54 mm
Plating min: Mating (µin)	120
Plating min: Mating (µm)	3
Plating min: Termination (µin)	120
Plating min: Termination (µm)	3
Polarized to Mating Part	Yes
Polarized to PCB	Yes
Shrouded	Partial
Stackable	No
Surface Mount Compatible (SMC)	No
Temperature Range - Operating	-25°C to +105°C
Termination Interface: Style	Through Hole

**Electrical**

Current - Maximum per Contact	6A
Voltage - Maximum	125V

**Solder Process Data**



**EU RoHS**

**ELV and RoHS Compliant**  
**REACH SVHC**  
 Not Reviewed  
**Halogen-Free**  
**Status**  
**Not Reviewed**

**China RoHS**



**Need more information on product environmental compliance?**

Email [productcompliance@molex.com](mailto:productcompliance@molex.com)  
 For a multiple part number RoHS Certificate of Compliance, [click here](#)

Please visit the [Contact Us](#) section for any non-product compliance questions.

**Search Parts in this Series**

[94240Series](#)

**Mates With**

[98695](#)

Duration at Max. Process Temperature (seconds)	10
Lead-free Process Capability	Wave Capable (TH only)
Max. Cycles at Max. Process Temperature	3
Process Temperature max. C	250

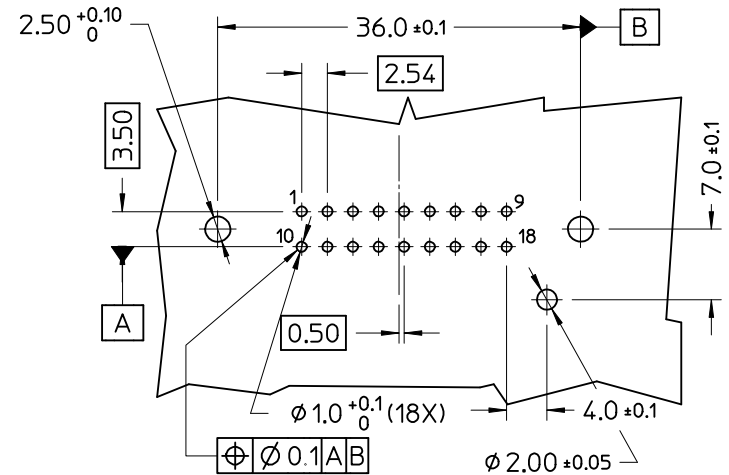
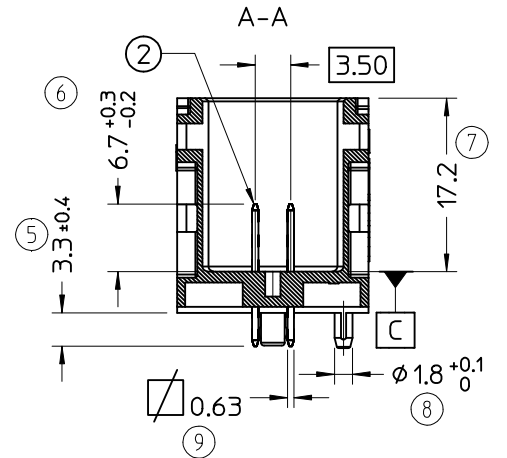
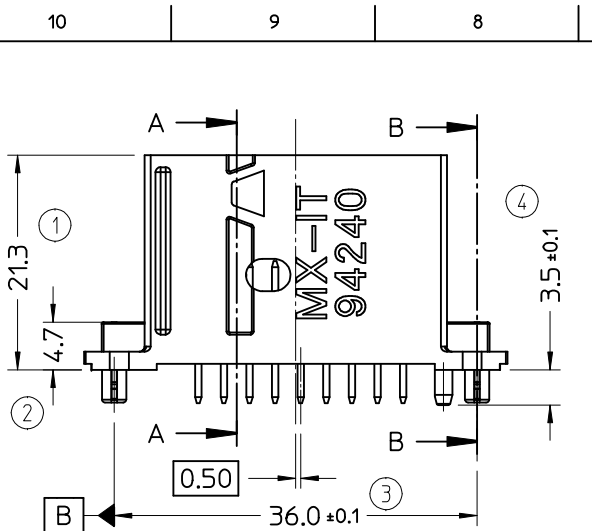
### **Material Info**

### **Reference - Drawing Numbers**

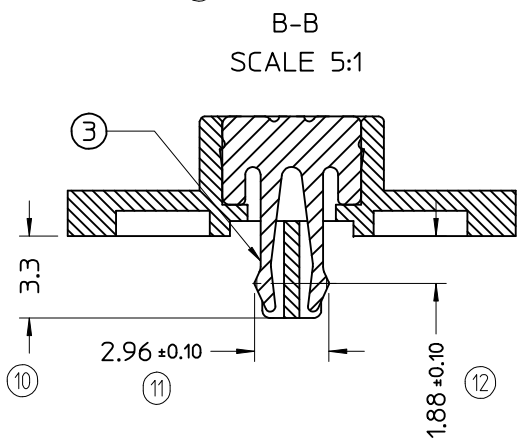
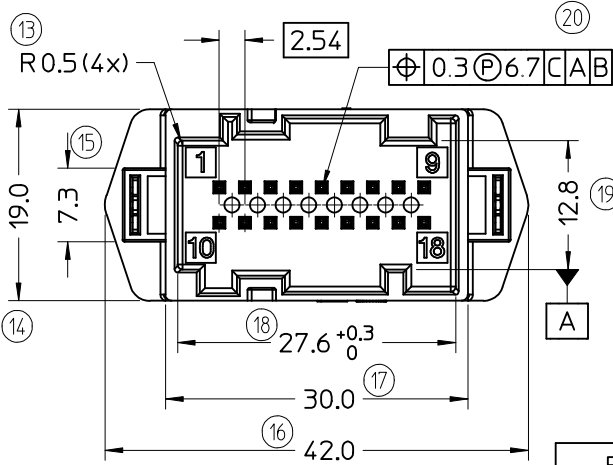
Product Specification	PS-94240-001
Sales Drawing	SD-94240-001

This document was generated on 04/22/2010

**PLEASE CHECK [WWW.MOLEX.COM](http://WWW.MOLEX.COM) FOR LATEST PART INFORMATION**



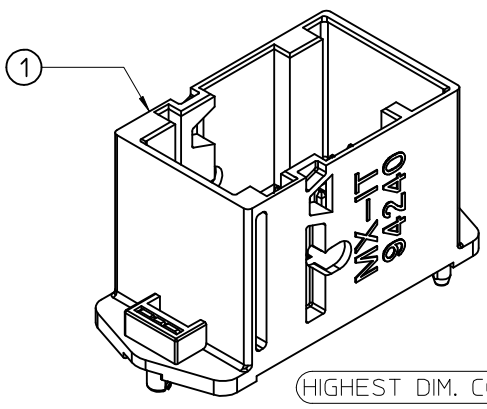
RECOMMENDED PCB LAYOUT (COMPONENT SIDE)  
PCB THICKNESS: 1.6 +/-0.15mm



B-B  
SCALE 5:1

- A) MATERIALS:  
 1) HOUSING: SEE TABLE  
 2) CONTACTS: BRASS, TIN OVER NICKEL PLATED  
 3) BOARD LOCKS: COPPER ALLOY  
 B) NOTES:  
 - RET. FORCE OF BOARD LOCK SYSTEM ON PCB: 15 N MIN.  
 - REF. DOCUMENT: PS-94240-001

P/N	PACKAGING	MATERIAL	S.P.Q.
94240-2318	IN TRAYS	PCT GF 30% BLACK	15120
94240-3318	IN CARTON BOXES	PBT GF 20% BLACK	



HIGHEST DIM. CONTROL No.: 20

Std.Descr.: "HEADER BLACK THRU HOLE W/PEGS 18 CKT"

EC NO: Z2009-0059 DRWN: SBARBER 2009/04/21 CHKD: LSANTISS 2009/04/21 APPR: FBISELLO 2009/04/28	QUALITY SYMBOLS ▽ - 0 ∇ - 0	GENERAL TOLERANCES (UNLESS SPECIFIED)		SCALE 2:1	DESIGN UNITS METRIC	FIRST ANGLE PROJECTION	REVISE ON CAD ONLY
		mm	INCH	DIMENSION STYLE MM ONLY		TITLE	
		4 PLACES ± ---	± ---	DRAWN BY DATE		18 CKT BLACK HEADER WITH BOARD LOCKS MOLEX INCORPORATED	
		3 PLACES ± ---	± ---	FGOTTARD 2002/05/13			
2 PLACES ± 0.3	± ---	CHECKED BY DATE		MTESTAGU 2002/05/13		MATERIAL NO. DOCUMENT NO. SHEET NO.	
1 PLACE ± 0.3	± ---	ANGULAR ± 2 °		APPROVED BY DATE		see table SD-94240-001 1 OF 1	
DRAFT WHERE APPLICABLE		MUST REMAIN WITHIN DIMENSIONS		THIS DRAWING CONTAINS INFORMATION THAT IS PROPRIETARY TO MOLEX INCORPORATED AND SHOULD NOT BE USED WITHOUT WRITTEN PERMISSION			