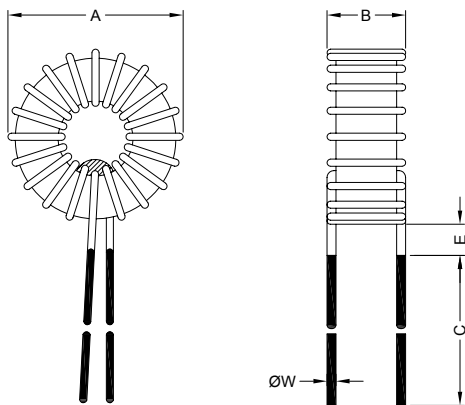


### 1. PART NO. EXPRESSION :

T B C 2 3 1 3 - 4 R 7 M - 2 6  
 (a) (b) (c) (d) (e)

- (a) Series code
- (b) Dimension code
- (c) Inductance code : 4R7 = 4.7uH
- (d) Tolerance code : M = ±20%
- (e) Material code

### 2. CONFIGURATION & DIMENSIONS :



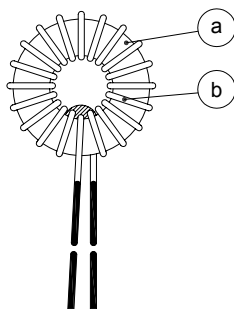
Unit:m/m

A	B	C	E	ØW
23.00 Max.	13.00 Max.	15.00±3.0	1.00 Max.	0.80 Ref.

### 3. SCHEMATIC :



### 4. MATERIALS :



- (a) Core : Iron Powder Core
- (b) Wire : Enamelled Copper Wire



**RoHS Compliant**

NOTE : Specifications subject to change without notice. Please check our website for latest information.

19.06.2008

### 5. GENERAL SPECIFICATION :

- a) Temp. rise : 40°C Max. at Irms
- b) Storage temp. : -40°C to +125°C
- c) Operating temp. : -25°C to +105°C

### 6. ELECTRICAL CHARACTERISTICS :

Part No.	Inductance ( uH ) ±20%	DC Resistance ( mΩ ) Max.	Irms ( A )	Isat ( A )
TBC2313-500M-26	50.0	30	3.60	3.25
TBC2313-500M-52	50.0	30	3.60	3.90
TBC2313-900M-26	90.0	42	3.00	2.40
TBC2313-900M-52	90.0	42	3.00	2.95
TBC2313-141M-26	140.0	57	2.60	1.95
TBC2313-141M-52	140.0	57	2.60	2.35



**RoHS Compliant**

NOTE : Specifications subject to change without notice. Please check our website for latest information.

19.06.2008



**SUPERWORLD ELECTRONICS (S) PTE LTD**