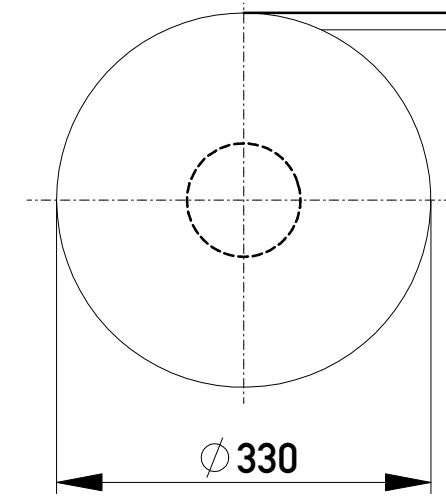
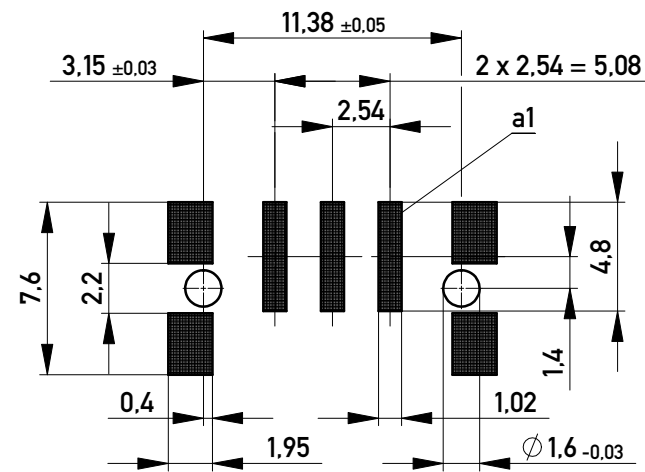


Verpackt im Gurt in Anlehnung an DIN IEC 60286-3  
 Tape on Reel Packaging according to DIN IEC 60286-3  
 Verpackungseinheit: 320 Stück  
 Packaging unit: 320 pcs



Abspulrichtung - Reel off Direction

Leiterplatten-Layout Vorschlag für SMT  
 PCB-Layout Proposal for SMT

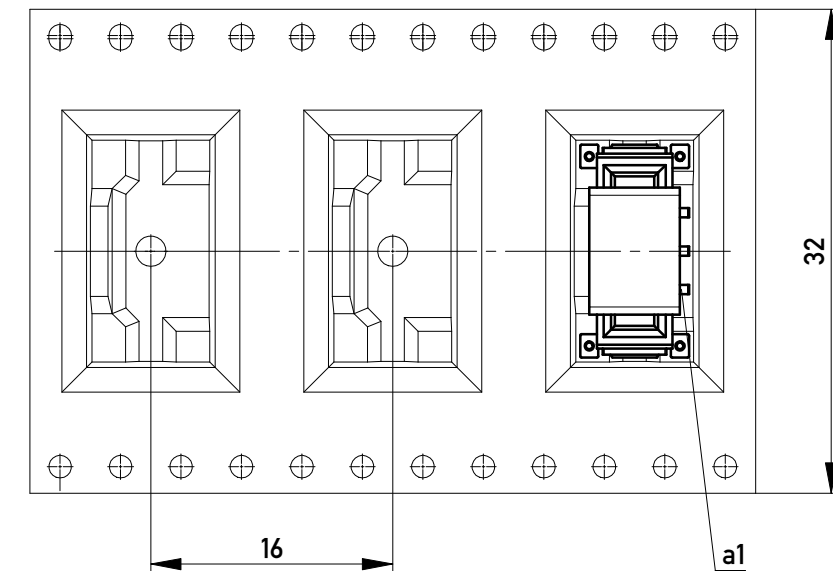


Anforderungsstufe 1  
 Performance Level 1

Kontaktbereich vergoldet  
 Mating Area gold plating

Anschlussbereich verzinkt 4-6 µm  
 Terminal Area 4-6 µm tin plating

Koplanarität der Anschlüsse ≤ 0,1 mm  
 Coplanarity Area of Termination ≤ 0,1 mm



Copyright by ERNI GmbH Proprietary notice pursuant to ISO 16016 to be observed.	Information: Codierung: blau - coding: blue	Tolerances  All Dimensions in mm	Scale <b>3:1</b>	
	All rights reserved. Only for Information. To ensure that this is the latest version of this drawing, please contact one of the ERNI companies before using.	Subject to modification without prior notice. Drawing will not be updated.	Designation <b>M 2,54 SRC-P, 3-polig</b>	
g Index	19.02.2016 Date	www.ERNI.com	<b>101804240001</b>	K <b>A3</b>
		Class SRCP		