


02 0252

Quicklock circular connectors, IP67

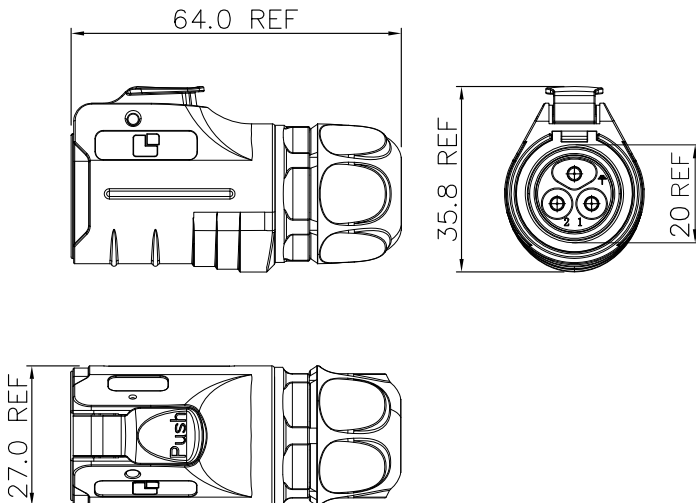


Quicklock plug with locking latch, IP67, size 20, straight version, with plastic housing and solder terminals

Approvals: 

02 0252

Pin configurations, mating side view



Environmental conditions

Temperature range -40 °C/+80 °C

Materials

Insulating body	PBT, V-0 according to UL94
Contact pin	CuZn, gold-plated
Housing	PBT, V-0 according to UL94 F1 according to UL 746C, outdoor suitability (UV-light, immersion)
Locking	Zn-alloy, chrome-plated
Cap nut	PBT, V-0 according to UL94, F1 according to UL 746C

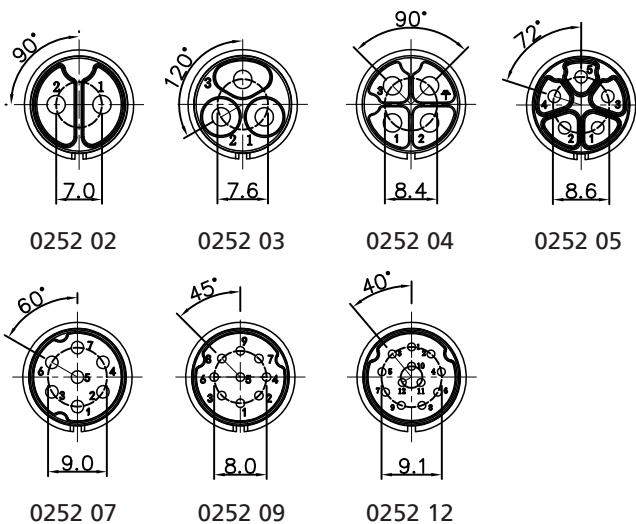
Mechanical data

Protection class IP67¹

¹ only in locked condition with an appropriate counterpart

Connectable conductors for solder area



Section	2.5–4.0 mm ² /AWG 14–12 (2–4 poles) 1.0–1.5 mm ² /AWG 18–16 (5–7 poles) 0.34–0.75 mm ² /AWG 22–20 (9–12 poles)
Cable diameter	7.0–13.0 mm




Electrical data (at T_{amb} 20 °C)

Contact resistance	≤ 5 mΩ
Rated current	20 A (2–4 poles) 12 A (5–7 poles) 5 A (9–12 poles)
Rated voltage	500 V
Rated impulse voltage	2500 V AC (2–7 poles) 1500 V AC (9–12 poles)
Creepage distance	≥ 2 mm
Clearance	≥ 2 mm
Insulation resistance	> 500 MΩ

Associated products

Counterparts
 0262  0272

Accessories
 029020

02

0252



02 0252

Designation	Pole Number	PU (Pieces)	MDQ (Pieces)
0252 02	2	10	40
0252 03	3	10	40
0252 04	4	10	40
0252 05	5	10	40
0252 07	7	10	40
0252 09	9	10	40
0252 12	12	10	40

Packaging:

in individual plastic bags, in a cardboard box