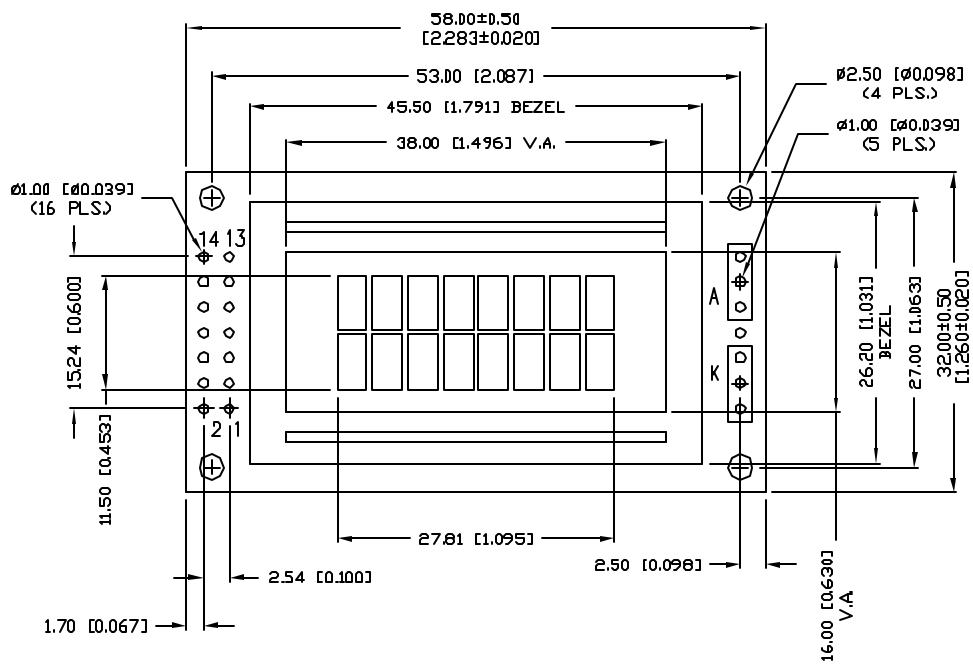


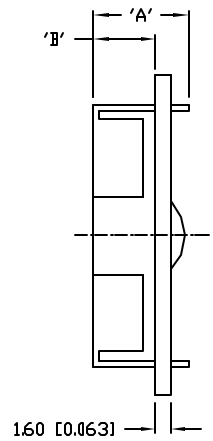
PART NUMBER		REV.
LCM-X00802DXX		B
REV.	E.C.N. NUMBER AND REVISION COMMENTS	DATE
A	E.C.N. #10464.	10.9.98
B	E.C.N. #11031.	9.5.03

LCM-X	DXX	DESCRIPTION
STANDARD	\$	SR STN, REFLECTIVE
	SF	STN, TRANSFLECTIVE(W/ BACKLIGHT)
HIGH TEMP.	H	TR TN, REFLECTIVE
	TF	TN, TRANSFLECTIVE(W/ BACKLIGHT)

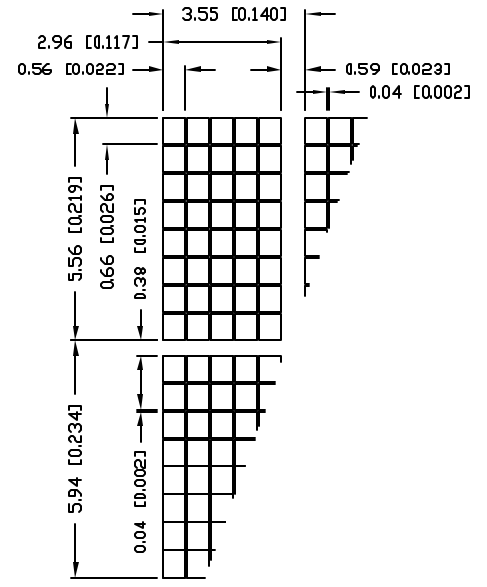
CAUTION: STATIC SENSITIVE DEVICE  
 FOLLOW PROPER E.S.D. HANDLING PROCEDURES  
 WHEN WORKING WITH THIS PART.



TYPE	DIM.	A	B
WITH BACKLIGHT		12.8	8.6
NO BACKLIGHT		8.8	4.2



CHARACTER DETAIL



\*UNLESS OTHERWISE SPECIFIED TOLERANCES PER DECIMAL PRECISION ARE: X=±1 (±0.039), X.X=±0.5 (±0.020), X.XX=±0.25 (±0.010), X.XXX=±0.127 (±0.005). LEAD SIZE=±0.05 (±0.002), LEAD LENGTH=±0.75 (±0.030). MIN=+DECIMAL PRECISION MAX.=+0.00 -DECIMAL PRECISION

REV.	PART NUMBER
B	LCM-X00802DXX
5.56mm CHARACTER HEIGHT, 5x8 DOT MATRIX, 8x2, LCD MODULE, 1/16 DUTY, 1/5 BIAS.	

**CONFIDENTIAL INFORMATION**  
 THE INFORMATION CONTAINED IN THIS DOCUMENT IS THE PROPERTY OF LUMEX INC. EXCEPT AS SPECIFICALLY AUTHORIZED IN WRITING BY LUMEX INC, THE HOLDER OF THIS DOCUMENT SHALL KEEP ALL INFORMATION CONTAINED HEREIN CONFIDENTIAL AND SHALL PROTECT SAME IN WHOLE OR IN PART FROM DISCLOSURE AND DISSEMINATION TO ALL THIRD PARTIES.

**RELIABILITY NOTE**  
 OUR MANY YEARS OF EXPERIENCE DATA ACCUMULATION INDICATE THAT SOLDER HEAT IS A MAJOR CAUSE OF EARLY AND FUTURE FAILURE. PLEASE PAY ATTENTION TO YOUR SOLDERING PROCESS.



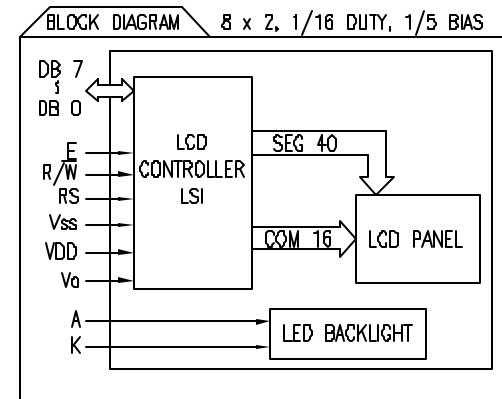
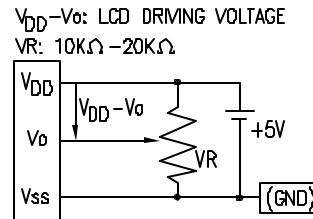
290 E. HELEN ROAD  
 PALATINE, IL 60067-6976  
 PHONE: +1.847.359.2790  
 US WEB: www.lumex.com  
 TW WEB: www.lumex.com.tw

DATE: 9.5.03  
 PAGE: 1 OF 2  
 SCALE: N/A

DRAWN BY: GT	CHECKED BY:	APPROVED BY:	DATE: 9.5.03
-----------------	-------------	--------------	--------------

PART NUMBER		REV.
LCM-X00802DXX		B
REV.	E.C.N. NUMBER AND REVISION COMMENTS	DATE
	SEE PAGE 1.	

PIN CONFIGURATION			
PIN NO.	SYMBOL	LEVEL	FUNCTION
1	V <sub>SS</sub>	-	POWER SUPPLY GND (0V)
2	V <sub>DD</sub>	-	
3	V <sub>O</sub>	-	
4	RS	H/L	REGISTER SELECT SIGNAL H: DATA INPUT L: INSTRUCTION INPUT
5	R/W	H/L	H: DATA READ (MODULE-->MPU) L: DATA WRITE (MODULE<<--MPU)
6	E	H,H->L	ENABLE
7~14	DB0~DB7	H/L	DATA BUS--SOFTWARE SELECTABLE 4 OR 8 BIT MODE.



ELECTRICAL CHARACTERISTICS		□ V <sub>DD</sub> =4.7V to 5.3V, T <sub>A</sub> =25°C					
ITEM	SYMBOL	CONDITION	STANDARD VALUE			UNIT	
			MIN.	TYP.	MAX.		
SUPPLY VOLTAGE FOR LOGIC	V <sub>DD</sub> -V <sub>SS</sub>	-	-	5.0	-	V	
SUPPLY CURRENT FOR LOGIC	I <sub>DD</sub>	V <sub>DD</sub> =5V	-	2.0	3.0	mA	
INPUT VOLTAGE	HIGH	V <sub>IH</sub>	-	2.2	-	V <sub>DD</sub>	
	LOW	V <sub>IL</sub>	-	0	-	0.6	
OUTPUT VOLTAGE	HIGH	V <sub>OH</sub>	-	2.4	-	V	
	LOW	V <sub>OL</sub>	-	-	0.4	V	
*LED BACKLIGHT	VOLTAGE	V <sub>f</sub>	I <sub>f</sub> =70mA	-	4.5	5.0	V
	CURRENT	I <sub>f</sub>	-	-	70	110	mA
	POWER CONSUMPTION	P <sub>D</sub>	-	-	315	-	mW
	LUMINOUS	L	I <sub>f</sub> =70mA	70	-	-	cd/m <sup>2</sup>
	COLOR	-	-	-	-	-	nm

\*ONLY APPLIES TO MODULES WITH BACKLIGHT

ABSOLUTE MAXIMUM RATINGS					
ITEM	SYMBOL	TEST CONDITION	STANDARD VALUE		UNIT
			MIN	MAX	
SUPPLY VOLTAGE FOR LOGIC	V <sub>DD</sub> -V <sub>SS</sub>	T <sub>a</sub> =25°C	4.7	5.3	V
SUPPLY VOLTAGE FOR LCD DRIVE	V <sub>DD</sub> -V <sub>O</sub>	-	4.2@50°C	4.8@0°C	V
INPUT VOLTAGE	V <sub>I</sub>	T <sub>a</sub> =25°C	V <sub>SS</sub>	V <sub>DD</sub>	V
OPERATING TEMPERATURE	T <sub>opr</sub>	LCM-S	0	50	°C
		LCM-H	-20	70	°C
STORAGE TEMPERATURE	T <sub>stg</sub>	LCM-S	-20	70	°C
		LCM-H	-30	85	°C

\*UNLESS OTHERWISE SPECIFIED TOLERANCES PER DECIMAL PRECISION ARE: X=±1 (±0.039), X.X=±0.5 (±0.020), X.XX=±0.25 (±0.010), X.XXX=±0.127 (±0.005). LEAD SIZE=±0.05 (±0.002), LEAD LENGTH=±0.75 (±0.030). MIN.= +DECIMAL PRECISION -0.00 MAX.= +0.00 -DECIMAL PRECISION

REV.	PART NUMBER	CONFIDENTIAL INFORMATION		290 E. HELEN ROAD PALATINE, IL 60067-6976 PHONE: +1.847.359.2790 US WEB: www.lumex.com TW WEB: www.lumex.com.tw
B	LCM-X00802DXX	THE INFORMATION CONTAINED IN THIS DOCUMENT IS THE PROPERTY OF LUMEX INC. EXCEPT AS SPECIFICALLY AUTHORIZED IN WRITING BY LUMEX INC., THE HOLDER OF THIS DOCUMENT SHALL KEEP ALL INFORMATION CONTAINED HEREIN CONFIDENTIAL AND SHALL PROTECT SAME IN WHOLE OR IN PART FROM DISCLOSURE AND DISSEMINATION TO ALL THIRD PARTIES. RELIABILITY NOTE OUR MANY YEARS OF EXPERIENCE DATA ACCUMULATION INDICATE THAT SOLDER HEAT IS A MAJOR CAUSE OF EARLY AND FUTURE FAILURE. PLEASE PAY ATTENTION TO YOUR SOLDERING PROCESS.		
5.56mm CHARACTER HEIGHT, 5x8 DOT MATRIX, 8x2, LCD MODULE, 1/16 DUTY, 1/5 BIAS.		DRAWN BY:	CHECKED BY:	APPROVED BY:
		ct		DATE: 9.5.03 PAGE: 2 OF 2 SCALE: N/A