

**PLEASE CHECK WWW.MOLEX.COM FOR LATEST PART INFORMATION**

**Part Number:** [0190540092](#)  
**Status:** **Active**  
**Description:** InsulKrimp™ Ring Tongue Terminal for 14-16 Heavy Duty AWG Wire

**Documents:**

[Drawing \(PDF\)](#) [RoHS Certificate of Compliance \(PDF\)](#)  
[Product Specification PS-19902-009 \(PDF\)](#)

**Agency Certification**

CSA LR18689  
 UL E32244

**General**

Product Family Ring and Spade Terminals  
 Series [19054](#)  
 Comments Heavy Duty  
 Crimp Quality Equipment Yes  
 Mil-Spec N/A  
 Product Name InsulKrimp™  
 Type Ring

**Physical**

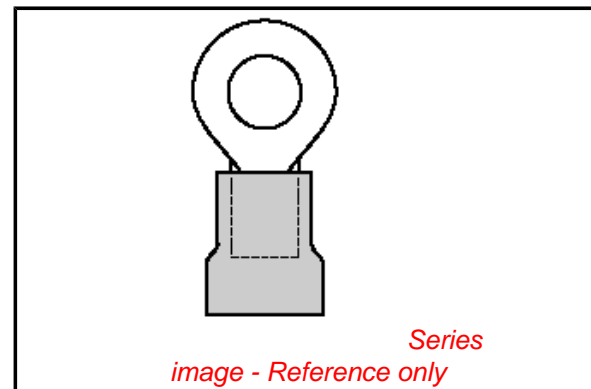
Barrel Type Closed  
 Color - Resin Natural  
 Flammability 94V-0  
 Insulation PVC  
 Material - Plating Mating Tin  
 Packaging Type Bag  
 Plating min: Mating (µin) 100  
 Plating min: Mating (µm) 2.5  
 Plating min: Termination (µin) 100  
 Plating min: Termination (µm) 2.5  
 Stud Size 8 (M4)  
 Termination Interface: Style Crimp or Compression  
 Wire Insulation Diameter 6.40mm (.250") max.  
 Wire Size AWG 14, 16  
 Wire Size mm² 1.30 - 2.00

**Material Info**

Old Part Number B-228-08HDX

**Reference - Drawing Numbers**

Product Specification PS-19902-009  
 Sales Drawing SD-19054-001



**EU RoHS**

**ELV and RoHS Compliant**  
**REACH SVHC**  
 Not Reviewed  
**Halogen-Free Status**  
 Not Reviewed

**China RoHS**



**Need more information on product environmental compliance?**

Email [productcompliance@molex.com](mailto:productcompliance@molex.com)  
 For a multiple part number RoHS Certificate of Compliance, [click here](#)

Please visit the [Contact Us](#) section for any non-product compliance questions.

**Search Parts in this Series**

[19054Series](#)

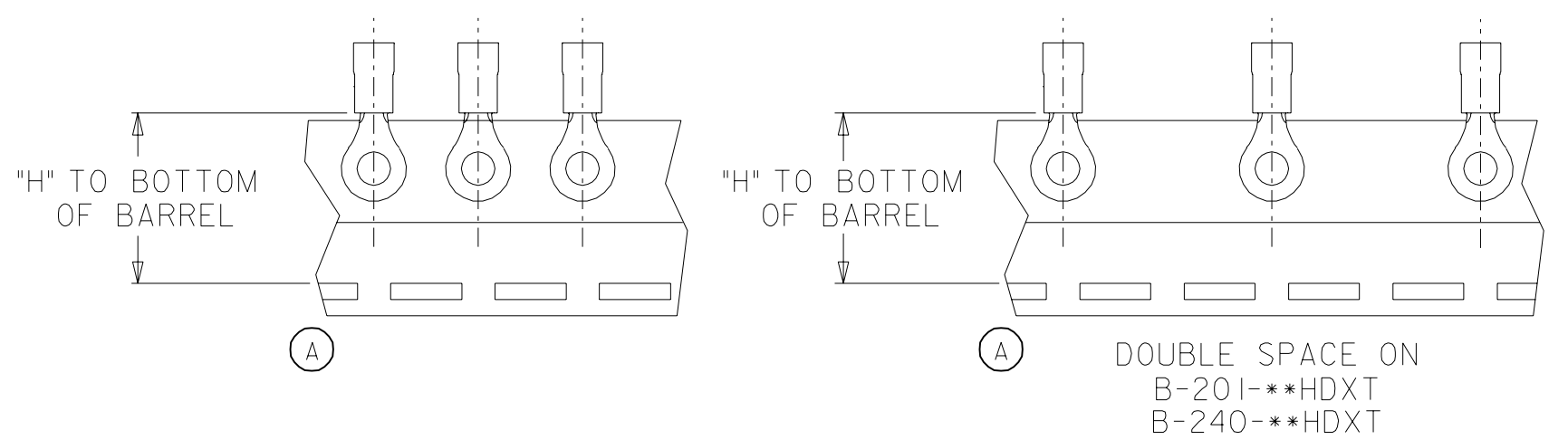
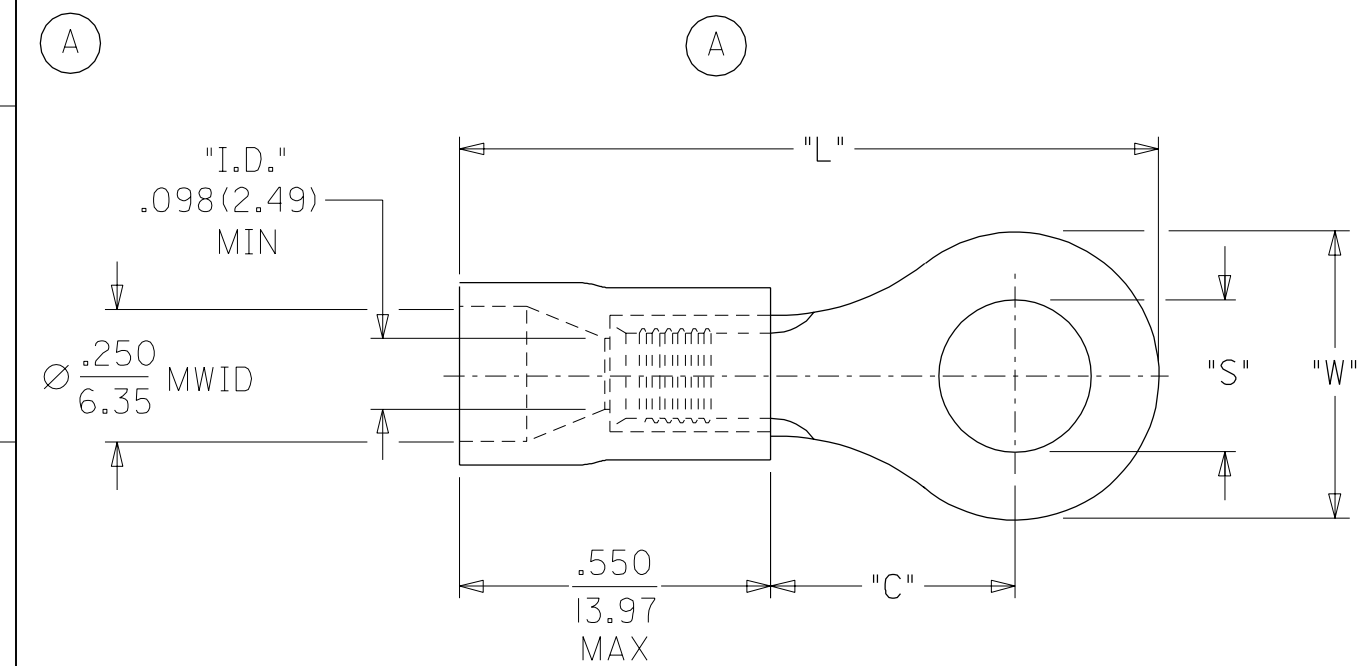
**Application Tooling | FAQ**

*Tooling specifications and manuals are found by selecting the products below. Crimp Height Specifications are then contained in the Application Tooling Specification document.*

**Global**

Description	Product #
Hand Crimp Tool	<a href="#">0640010100</a>
Hand Crimp Tool	<a href="#">0640011600</a>
Crimp Head for the AT-200™ Pneumatic Hand Tool	<a href="#">0640050100</a>

MATERIAL NO. LOOSE PIECE	ENG. NO.	MATERIAL NO. TAPE MOUNTED	ENG. NO.	STUD SIZE	±.003 "S"	"W" MAX. (A)	"C" MIN.	"L" MAX. (A)	"H" ±.020/0.51
190540063	B-201-12HDX	190540064	B-201-12HDXT	12	.515 (13.10)	.760 (19.30)	.611 (15.52)	1.571 (39.90)	1.300 (33.02)
190540065	B-201-14HDX	-----	-----	14	.265 (6.73)				
190540066	B-201-38HDX	190540068	B-201-38HDXT	38	.390 (9.91)				
190540069	B-201-56HDX	-----	-----	56	.328 (8.33)				
190540070	B-201-76HDX	190540071	B-201-76HDXT	76	.453 (11.51)	.385 (9.78)	.303 (7.70)	1.076 (27.33)	
190540090	B-228-06HDX	190540091	B-228-06HDXT	6	.146 (3.71)				
190540092	B-228-08HDX	190540093	B-228-08HDXT	8	.173 (4.39)				
190540094	B-228-10HDX	190540095	B-228-10HDXT	10	.198 (5.03)	.540 (13.72)	.393 (9.98)	1.243 (31.57)	.980 (24.89)
190540096	B-230-10HDX	190540021	B-230-10HDXT	10	.198 (5.03)				
190540097	B-230-14HDX	190540022	B-230-14HDXT	14	.265 (6.73)	.292 (7.42)	.303 (7.70)	1.032 (26.21)	
190540098	B-230-56HDX	190540099	B-230-56HDXT	56	.328 (8.33)				
190540103	B-236-04HDX	190540023	B-236-04HDXT	4	.119 (3.02)				
190540104	B-236-06HDX	190540024	B-236-06HDXT	6	.146 (3.71)				
190540105	B-236-08HDX	190540025	B-236-08HDXT	8	.173 (4.39)	.598 (15.19)	.466 (11.84)	1.347 (34.21)	1.172 (29.77)
190540124	B-240-14HDX	190540125	B-240-14HDXT	14	.265 (6.73)				
190540126	B-240-38HDX	190540127	B-240-38HDXT	38	.390 (9.91)				
190540128	B-240-56HDX	-----	-----	56	.328 (8.33)				



### SALES DRAWING

NOTE(S):  
 1. MATERIAL: COPPER (.050/1.27)  
 2. PLATING: ELECTROPLATE TIN.  
 3. ALL DIMENSIONS IN INCHES/(MM).  
 WIRE SIZE: 16-14 AWG  
 1.0 - 2.5 MM<sup>2</sup>

UPDATE TO MX STDS. EC NO. ETC2003-0233 DRWN: DLM 04/05/06 CHK: HB 04/05/06 APPR: RWD 04/05/06	QUALITY SYMBOLS MAJOR  = Ø CRITICAL  = Ø	GENERAL TOLERANCES: (UNLESS SPECIFIED)		SCALE NTS	DESIGN UNITS <input type="checkbox"/> mm <input checked="" type="checkbox"/> INCH	THIRD ANGLE PROJECTION	DIMENSIONS: <input type="checkbox"/> mm <input checked="" type="checkbox"/> INCH <input type="checkbox"/> mm ONLY	SHT	REV	
				DRAWN BY & DATE	TITLE: RING TONGUE TERMINAL HEAVY-DUTY INSULKRIMP 16-14 AWG					
				CHECKED BY & DATE	MATERIAL NO. (SEE CHART)					
				APPROVED BY & DATE	DRAWING NO. SD-19054-001					
		ANGULAR: ±1/2°		CAD FILENAME SD19054001.DGN		SHEET NO. 1 OF 1				
		DRAFT WHERE APPLICABLE MUST REMAIN WITHIN DIMENSIONS		THIS DRAWING CONTAINS INFORMATION THAT IS PROPRIETARY TO MOLEX INCORPORATED AND SHOULD NOT BE USED WITHOUT WRITTEN PERMISSION.						