

SMD INDUCTOR DR337-1 SERIES

Features

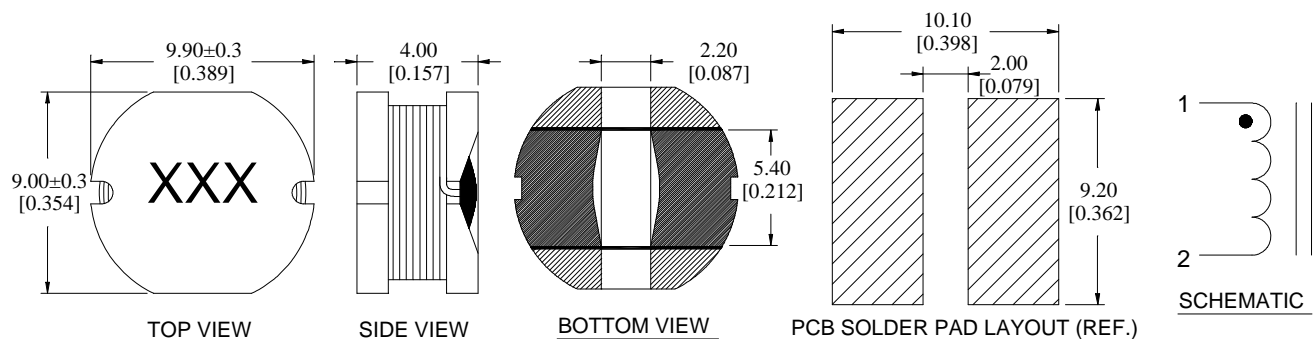
- Low Profile Surface Mount Design
- Flat Top for Pick and Place
- Inductance Range from 10 μ H to 560 μ H
- Operating Temp. -20°C to +80°C
- Tinned Leads with Leaded Solder is Available (note 6)



ELECTRICAL SPECIFICATIONS AT 25°C

PART No.	INDUCTANCE (μ H)	DCR (Ω) Max.	RATED CURRENT (A) Max.
DR337-1-103	10 \pm 20% @ 2.52MHz, 0.1V	0.053	2.40
DR337-1-123	12 \pm 20% @ 2.52MHz, 0.1V	0.061	2.20
DR337-1-153	15 \pm 20% @ 2.52MHz, 0.1V	0.070	1.90
DR337-1-183	18 \pm 20% @ 2.52MHz, 0.1V	0.081	1.80
DR337-1-223	22 \pm 20% @ 2.52MHz, 0.1V	0.088	1.60
DR337-1-273	27 \pm 20% @ 2.52MHz, 0.1V	0.100	1.50
DR337-1-333	33 \pm 20% @ 2.52MHz, 0.1V	0.120	1.30
DR337-1-393	39 \pm 20% @ 2.52MHz, 0.1V	0.151	1.20
DR337-1-473	47 \pm 10% @ 2.52MHz, 0.1V	0.170	1.10
DR337-1-563	56 \pm 10% @ 2.52MHz, 0.1V	0.199	1.00
DR337-1-683	68 \pm 10% @ 2.52MHz, 0.1V	0.223	0.91
DR337-1-823	82 \pm 10% @ 2.52MHz, 0.1V	0.252	0.85
DR337-1-104	100 \pm 10% @ 1kHz, 0.1V	0.344	0.74
DR337-1-124	120 \pm 10% @ 1kHz, 0.1V	0.396	0.69
DR337-1-154	150 \pm 10% @ 1kHz, 0.1V	0.544	0.61
DR337-1-184	180 \pm 10% @ 1kHz, 0.1V	0.621	0.56
DR337-1-224	220 \pm 10% @ 1kHz, 0.1V	0.721	0.53
DR337-1-274	270 \pm 10% @ 1kHz, 0.1V	0.949	0.45
DR337-1-334	330 \pm 10% @ 1kHz, 0.1V	1.100	0.42
DR337-1-394	390 \pm 10% @ 1kHz, 0.1V	1.245	0.38
DR337-1-474	470 \pm 10% @ 1kHz, 0.1V	1.526	0.35
DR337-1-564	560 \pm 10% @ 1kHz, 0.1V	1.904	0.32

MECHANICAL OUTLINES



NOTES:

1. All dimensions are shown in millimeters "mm" [inches "in"].
2. General tolerance \pm 0.25mm [0.010 IN.], unless otherwise specified.
3. Tape and reel quantity, 750 pcs/reel.
4. Terminal finish is compliant to RoHS requirements
5. Solder in accordance with J-STD-002 Rev. D
6. Non-RoHS series parts 42-337-1-XXX are finished with leaded solder Sn60Pb40 or equivalent