

# 10/100 BASE-T SINGLE PORT TRANSFORMER MODULE

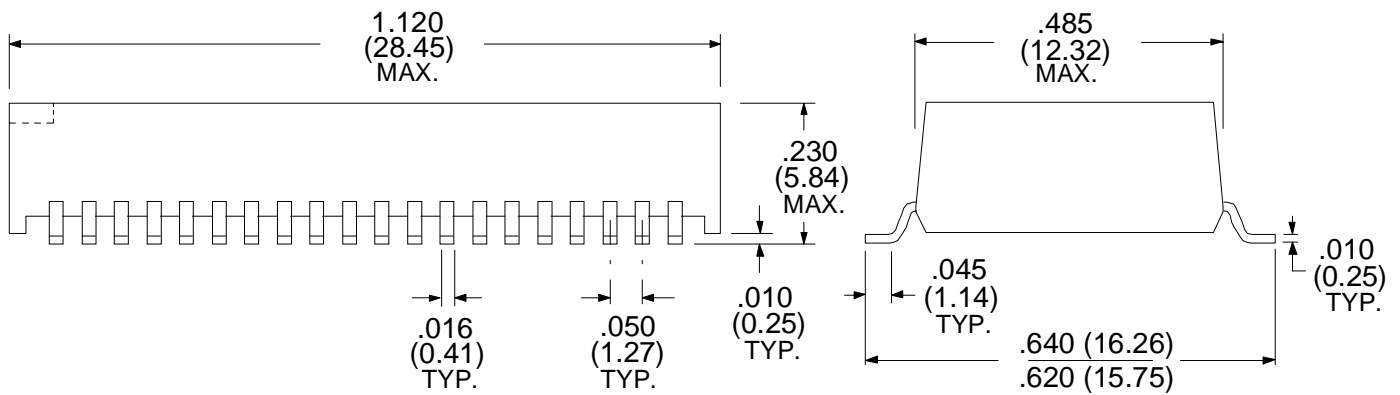
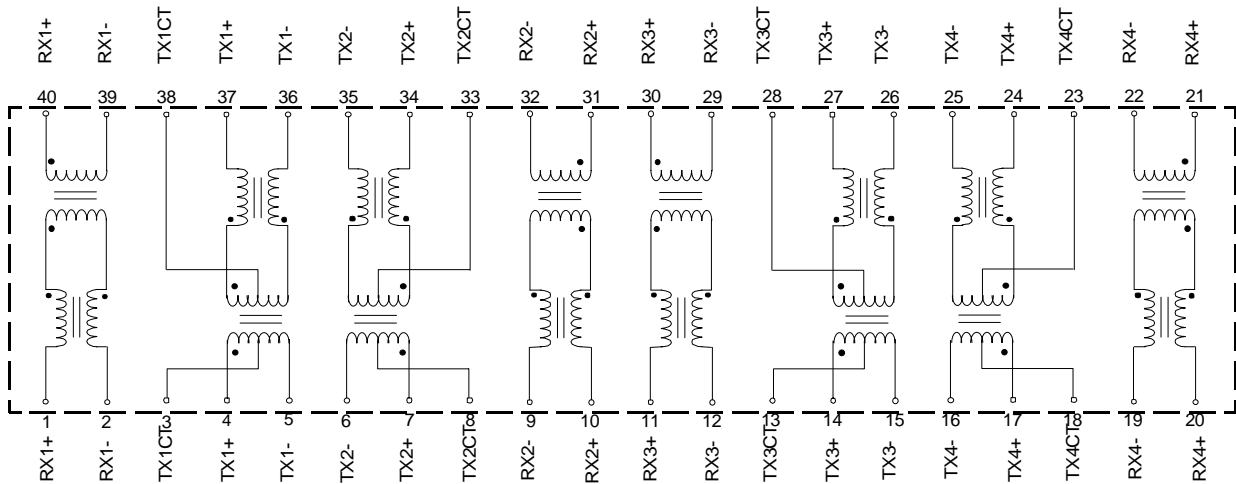
■ Meets all IEE 802.3 and ANSI X3.263 standards including 350  $\mu$ H OCL with 8 mA bias

■ Mil. Grade Epoxy encapsulated package withstands 235°C IR reflow

## Electrical Specifications at 25°C

	Insertion Loss (dB) MAX	Return Loss (dB) Min.			Rise Time (nS) TYP 10% - 90%	Common to Differential Mode Rejection (dB) MIN	Common to Common Mode Rejection (dB) MIN	Crosstalk dB MIN	Hipot (Vrms) MIN
	.1-80MHz	.1-30MHz	30-60MHz	60-80MHz		100kHz - 100MHz			
T-1307	-1.0	-16	16-20Log{F/30MHz}	-10	2.5	40	30	-35	2000

## Schematic Diagram



Dimensions in inches (mm)

Tape and Reel available.

RHOMBUS P/N: **T-1307**

CUST P/N:

NAME:

DATE: **8/27/99**

SHEET: 1 OF 1