

**PLEASE CHECK WWW.MOLEX.COM FOR LATEST PART INFORMATION**

**Part Number:** [0029110043](#)  
**Status:** **Active**  
**Overview:** [spox](#)  
**Description:** 2.50mm (.098") Pitch SPOX™ Wire-to-Wire Plug Housing, Friction Lock, Optional Mounting Ears, 4 Circuits

**Documents:**

[3D Model](#) [Product Specification PS-51191-003 \(PDF\)](#)  
[Drawing \(PDF\)](#) [RoHS Certificate of Compliance \(PDF\)](#)  
[Product Specification PS-5102-003 \(PDF\)](#)

**Agency Certification**

|     |           |
|-----|-----------|
| CSA | LR19980   |
| TUV | R72090224 |
| UL  | E29179    |

**General**

|                |                      |
|----------------|----------------------|
| Product Family | Crimp Housings       |
| Series         | <a href="#">5240</a> |
| Overview       | <a href="#">spox</a> |
| Product Name   | SPOX™                |

**Physical**

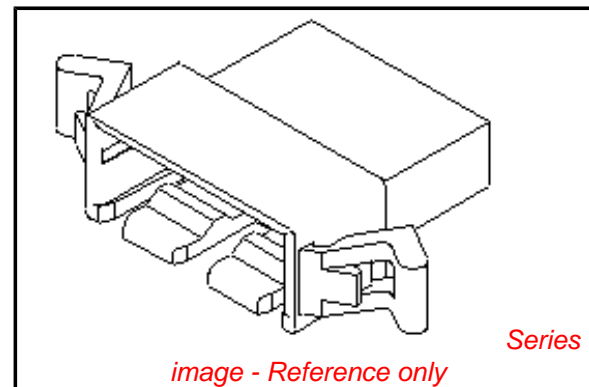
|                               |                 |
|-------------------------------|-----------------|
| Circuits (maximum)            | 4               |
| Flammability                  | 94V-0           |
| Gender                        | Male            |
| Glow-Wire Compliant           | No              |
| Lock to Mating Part           | Yes             |
| Number of Rows                | 1               |
| Packaging Type                | Bag             |
| Panel Mount                   | No, Yes         |
| Pitch - Mating Interface (in) | 0.098 In        |
| Pitch - Mating Interface (mm) | 2.50 mm         |
| Stackable                     | No              |
| Temperature Range - Operating | -40°C to +105°C |

**Material Info**

|                 |          |
|-----------------|----------|
| Old Part Number | 5240-041 |
|-----------------|----------|

**Reference - Drawing Numbers**

|                         |                           |
|-------------------------|---------------------------|
| Packaging Specification | SPK-5240-001              |
| Product Specification   | PS-5102-003, PS-51191-003 |
| Sales Drawing           | SD-5240-N1                |



**EU RoHS**

**ELV and RoHS Compliant**  
**REACH SVHC Contains SVHC: No**  
**Halogen-Free Status**

**China RoHS**



**Need more information on product environmental compliance?**

Email [productcompliance@molex.com](mailto:productcompliance@molex.com)  
 For a multiple part number RoHS Certificate of Compliance, [click here](#)

Please visit the [Contact Us](#) section for any non-product compliance questions.

**Search Parts in this Series**

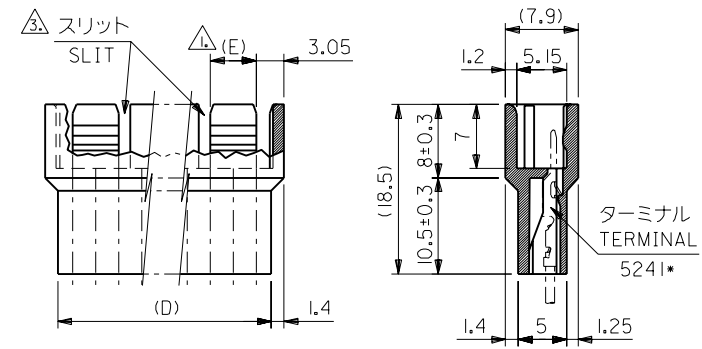
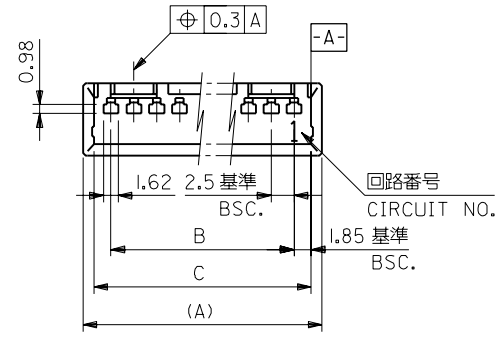
[5240Series](#)

**Mates With**

[51191 Housing](#)

**Use With**

[5241](#)



注)  
NOTE.

- △ フリクションロック構成:  
FRICITION LOCK CONFIGURATION:  
4極までは1箇所  
4CKT AND UNDER - 1LOCK  
5極以上は2箇所  
5CKT AND OVER - 2LOCKS
- 2. 嵌合相手: 5102-N  
MATES WITH HOUSING: 5102-N
- △ スリット構成:  
SLIT CONFIGURATION:  
4極以下はなし  
4CKT AND UNDER - NO SLIT  
5及び6極は1箇所  
5 AND 6CKTS - 1 SLIT  
7極以上は2箇所  
7CKT AND OVER - 2 SLITS

|            |          |      |      |      |      |      |      |         |
|------------|----------|------|------|------|------|------|------|---------|
| 29-11-0153 | 5240-151 | 35   | 38.7 | 4.1  | 5    | 38.3 |      | 15      |
| ▲ -0143    | ▲ -141   | 32.5 | 36.2 | 38.6 | 5    | 35.8 |      | 14      |
|            | -0133    | -131 | 30   | 33.7 | 36.1 | 5    | 33.3 | 13      |
|            | -0123    | -121 | 27.5 | 31.2 | 33.6 | 5    | 30.8 | 12      |
|            | -0113    | -111 | 25   | 28.7 | 31.1 | 5    | 28.3 | 11      |
|            | -0103    | -101 | 22.5 | 26.2 | 28.6 | 5    | 25.8 | 10      |
|            | -0093    | -091 | 20   | 23.7 | 26.1 | 5    | 23.3 | 9       |
|            | -0083    | -081 | 17.5 | 21.2 | 23.6 | 5    | 20.8 | 8       |
|            | -0073    | -071 | 15   | 18.7 | 21.1 | 5    | 18.3 | 7       |
|            | -0063    | -061 | 12.5 | 16.2 | 18.6 | 5    | 15.8 | 6       |
|            | -0053    | -051 | 10   | 13.7 | 16.1 | 3.75 | 13.3 | 5       |
|            | -0043    | -041 | 7.5  | 11.2 | 13.6 | 7.5  | 10.8 | 4       |
| ▼ -0033    | ▼ -031   | 5    | 8.7  | 11.1 | 5    | 8.3  |      | 3       |
| 29-11-0023 | 5240-021 | 2.5  | 6.2  | 8.6  | 2.5  | 5.8  |      | 2       |
| EDP. NO.   | ENG. NO. | B    | C    | (A)  | (E)  | (D)  |      | 極数 CKT. |

DO NOT SCALE DRAWING

|  |                                  |                                  |                                  |   |                      |   |   |  |                           |                        |             |                    |     |
|--|----------------------------------|----------------------------------|----------------------------------|---|----------------------|---|---|--|---------------------------|------------------------|-------------|--------------------|-----|
| EC NO.<br>DRWN:<br>CHK:<br>APPR:   | EC NO.<br>DRWN:<br>CHK:<br>APPR: | EC NO.<br>DRWN:<br>CHK:<br>APPR: | EC NO.<br>DRWN:<br>CHK:<br>APPR: | REDRAWN<br>EC NO. JC2000-0629<br>DRWN: K.KOHAMA 000/3/28<br>CHK: T.YAMAGUCHI 007/3/30<br>APPR: M.FUKUSHIMA 007/3/30 | MATERIAL<br>材料       | ナイロン66, 94V-0<br>NYLON66,94V-0<br>色: オフホワイト<br>COLOR: OFF WHITE | GENERAL TOLERANCES:<br>(UNLESS SPECIFIED)<br>一般公差 | SCALE                                      | DESIGN UNITS              | THIRD ANGLE PROJECTION | DIMENSIONS: | SHT                | REV |
|  |                                  |                                  |                                  |   | FINISH<br>仕上げ        | 10 UNDER 未満   | +0.2  | DRAWN BY & DATE<br>K.KOHAMA 007/3/28       | TITLE:                    | mm INCH                | mm ONLY     | REVISE ON CAD ONLY |     |
|  |                                  |                                  |                                  |   | WIRE RANGE<br>適用線径範囲 | 10 OVER 以上 30 UNDER 未満  | +0.25   | CHECKED BY & DATE<br>T.YAMAGUCHI 007/3/30  | MINI. SPOX<br>PLUG HSG.   | mm ONLY                | mm ONLY     |                    |     |
|  |                                  |                                  |                                  |   | INS. RANGE<br>被覆外径   | 30 OVER 以上  | +0.3  | APPROVED BY & DATE<br>M.FUKUSHIMA 007/3/30 | MOLEX INCORPORATED        | mm ONLY                | mm ONLY     |                    |     |
|  |                                  |                                  |                                  |   | ANGLE 角度             | +3°   | CAD FILENAME<br>S5240.S01                         | MATERIAL NO.<br>5240-***I                  | DRAWING NO.<br>SD-5240-NI | SHEET NO.<br>1         |             |                    |     |
| THIS DRAWING CONTAINS INFORMATION THAT IS PROPRIETARY TO MOLEX INCORPORATED AND SHOULD NOT BE USED WITHOUT WRITTEN PERMISSION. |                                  |                                  |                                  |   |                      |   |   |  |                           |                        | SIZE<br>B   |                    |     |