

AS180 AC Servo Motors



Electrical Specifications:

	AS180-15-172E25		AS180-15-190E25		AS180-20-215E25		AS180-10-270E25	
Rated Power (KW)	2.7		3.0		4.5		2.9	
Rated Voltage (V)	220	380	220	380	220	380	220	380
Rated Current (A)	10.5	6.5	12	7.5	16	9.5	12	7.5
Rated Speed (RPM)	1500		1500		2000		1000	
Rated Torque (N.m)	17.2		19		21.5		27	
Peak Torque (N.m)	43		47		53		67	
Peak Current (A)								
Voltage Constant (V/1000r/min)	112	167	97	158	84	140	138	224
Torque Coefficient (N.m/A)	1.64	2.65	1.58	2.5	1.34	2.26	2.25	3.6
Rotor Inertia (Kg.m ²)	3.4x10 ⁻³		3.8x10 ⁻³		4.7x10 ⁻³		6.1x10 ⁻³	
Resistance (Ω)	0.7	1.47	0.4	1.15	0.24	0.71	0.48	1.37
Inductance (mH)	3.5	7.8	2.42	6.4	1.45	4	3.26	8.6
Electrical Time Constant (ms)	5	5.3	6	5.57	6	5.6	6.79	6.27
Weight (Kg)	19.5		20.5		22.2		25.5	
Encoder Resolution (PPR)	2500		2500		2500		2500	

MotionKing (China) Motor Industry Co., Ltd.

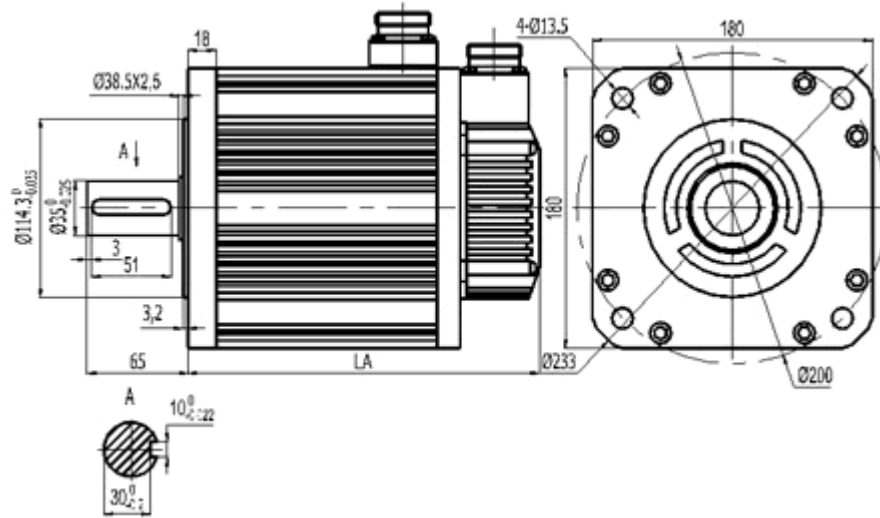
	AS180-15-270E25		AS180-10-350E25		AS180-15-350E25		AS180-10-480E25	
Rated Power (KW)	4.3		3.7		5.5		7.5	
Rated Voltage (V)	220	380	220	380	220	380	220	380
Rated Current (A)	16	10	16	10	24	12	32	20
Rated Speed (RPM)	1500		1000		1500		1000	
Rated Torque (N.m)	27		35		35		48	
Peak Torque (N.m)	67		70		70		96	
Peak Current (A)								
Voltage Constant (V/1000r/min)	103	172	134	223	90	181	94	156
Torque Coefficient (N.m/A)	1.69	2.7	2.2	3.5	1.45	2.9	1.5	2.4
Rotor Inertia (Kg.m ²)	6.1x10 ⁻³		8.6x10 ⁻³		8.6x10 ⁻³		9.5x10 ⁻³	
Resistance (Ω)	0.28	0.796	0.31	0.93	0.14	0.62	0.104	0.273
Inductance (mH)	1.74	4.83	3.28	9.1	1.0	4	0.77	2.14
Electrical Time Constant (ms)	6.2	6	10.58	9.78	7.14	6.45	7.4	7.8
Weight (Kg)	25.5		30.5		30.5		40	
Encoder Resolution (PPR)	2500		2500		2500		2500	

General Feature

Insulation Class	Class B (130°C)															
Safety Grade	IP64															
Operating Environment	Temperature: -20°C ~ +50°C Humidity: under<90% (No Dewing)															
Storage Environment	Temperature: -30°C ~ +60°C Humidity: under<90% (No Dewing)															
Winding Connector	Winding Wires			U			V			W			PE			
	Pin No.			1			2			3			4			
Encoder Connector	Signal Wires	5V	0 V	B+	Z-	U+	Z+	U-	A+	V+	W+	V-	A-	B-	W-	PE
	Pin No.	2	3	4	5	6	7	8	9	10	11	12	13	14	15	1

*Note: We can manufacture products according to customer's requirements. * 17 Bit absolute encoder is also optional.

Dimensions: unit=mm



Shaft:

Rated Torque (N.m)	LA (mm)
17.2	226
19	232
21.5	243
27	262
35	292
40	345