

# SMDD-160

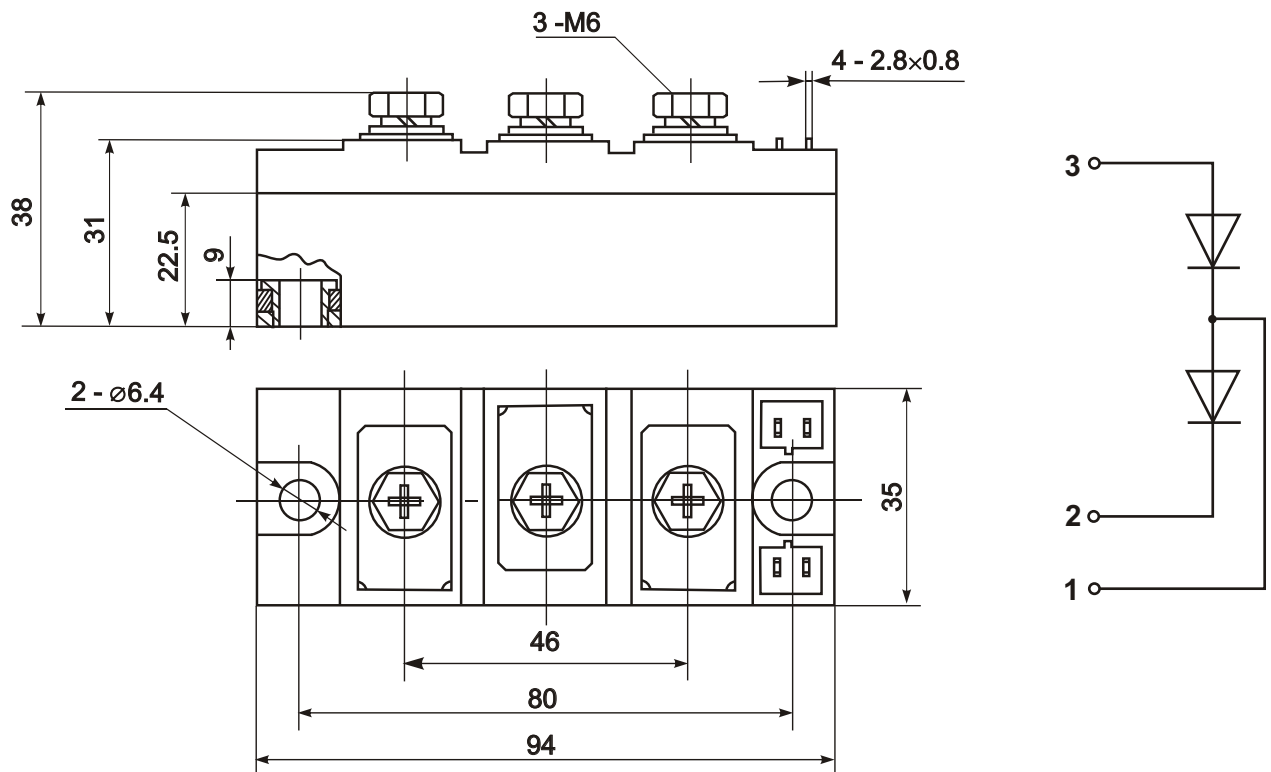


## Diode-Diode Module



Type	$V_{RSM}$	$V_{RRM}$
SMDD-160-08	900	800
SMDD-160-12	1300	1200
SMDD-160-14	1500	1400
SMDD-160-16	1700	1600
SMDD-160-18	1900	1800

Type	$I_{FAVM}$	$I_{FRMS}$	$T_c$	$I_{FSM}$	$i^2t$	$V_{TM}$	$I_{FM}$	$V_{FO}$	$r_F$	$T_{VJM}$	$V_{isol}$	$R_{thJC}$
	A	A	°C	KA	KA <sup>2</sup> s	V	A	V	mΩ	°C	V	K/W
SMDD-160	160	355	100	5	113	1.6	450	0.8	1.8	150	2500	0.22



### Features:

- Industrial standard package
- Heat transfer through aluminium nitride ceramic isolated metal baseplate
- Precise internal pressure contacts for high reliability
- 2500V RMS isolation voltage

### Typical Applications:

- DC power supply for instrument and equipment
- Power converters
- Electronic welders
- Lighting control