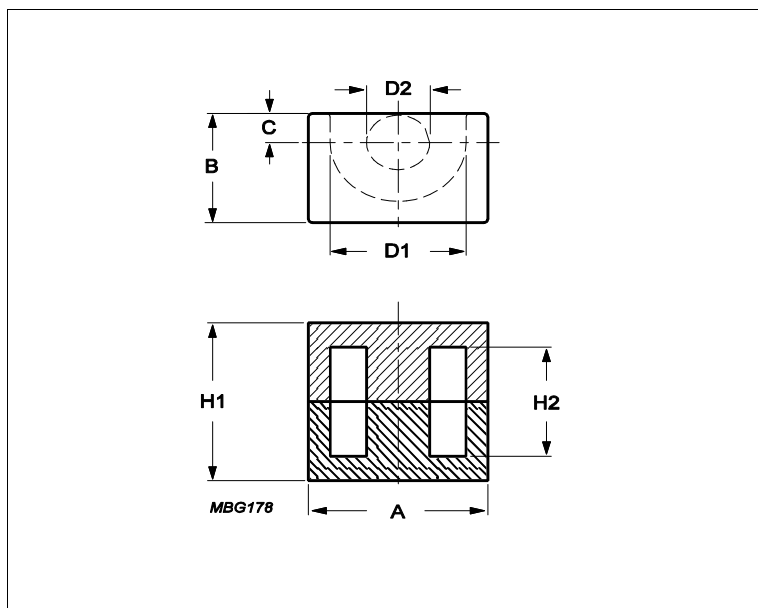


## Core **EP13**



Effective parameters			
	Parameter	Value	Unit
$\Sigma(I/A)$	core factor (C1)	1.24	mm <sup>-1</sup>
<b>Ve</b>	effective volume	472	mm <sup>3</sup>
<b>Le</b>	effective length	24.2	mm
<b>Ae</b>	effective area	19.5	mm <sup>2</sup>
<b>Amin</b>	minimum area	14.9	mm <sup>2</sup>
<b>m</b>	EP13	≈ 4.7	g/set

**Dimensions for product: EP13**

	Nom	Tol +	Tol -	Max	Min	Unit
<b>A</b>	12.80	0.00	0.60	12.80	12.20	mm
<b>B</b>	9.00	0.00	0.40	9.00	8.60	mm
<b>C</b>	2.40	0.10	0.10	2.50	2.30	mm
<b>D1</b>	9.70	0.60	0.00	10.30	9.70	mm
<b>D2</b>	4.50	0.00	0.30	4.50	4.20	mm
<b>H1</b>	13.00	0.00	0.30	13.00	12.70	mm
<b>H2</b>	9.00	0.40	0.00	9.40	9.00	mm

**Inductance factor**

Material	Value	Tol +	Tol -	Unit
3C91	1700	25%	25%	nH/turns <sup>2</sup>
3C96	1500	25%	25%	nH/turns <sup>2</sup>
3F36	1000	25%	25%	nH/turns <sup>2</sup>
3F46	660	25%	25%	nH/turns <sup>2</sup>

**Power loss: 3C91**

Measuring conditions			Max	Unit
100 kHz	200 mT	60 °C	0.240	W/set

**Power loss: 3C96**

Measuring conditions			Max	Unit
100 kHz	200 mT	100 °C	0.210	W/set
400 kHz	50 mT	100 °C	0.085	W/set

**Power loss: 3F36**

Measuring conditions			Max	Unit
----------------------	--	--	-----	------

## Core **EP13**

### Power loss: 3F36

Measuring conditions			Max	Unit
500 kHz	50 mT	100 °C	0.071	W/set
500 kHz	100 mT	100 °C	0.540	W/set

### Power loss: 3F46

Measuring conditions			Max	Unit
1000 kHz	50 mT	100 °C	0.190	W/set
3000 kHz	10 mT	100 °C	0.057	W/set

### Bsat

Measuring conditions			Material	Min	Unit
25 kHz	250 A/m	100 °C	3C91	320	mT
25 kHz	250 A/m	100 °C	3C96	340	mT
25 kHz	250 A/m	100 °C	3F36	340	mT
25 kHz	250 A/m	100 °C	3F46	330	mT

### Accessories

Ordering name	Description	Ordering code
CLA-EP13	Clasp	432202135051
CLA-EP13-C	Clasp	432202107341
CLI-EP13	Clip	432202100761
CPHS-EP13-1S-10P-Z	Coil former, termoplastic, horizontal, S	432202106181
CPHS-EP13-2S-10P-Z	Coil former, termoplastic, horizontal, S	432202106191
CSH-EP13-1S-10P	Coil former, termoset, horizontal	432202135031
CSH-EP13-1S-10P-T	Coil former, termoset, horizontal	432202101601
CSH-EP13-2S-10P	Coil former, termoset, horizontal	432202135061
CSHS-EP13-1S-10P-T	Coil former, termoset, horizontal, SMD	432202103201
SPR-EP13	Spring	432202135041