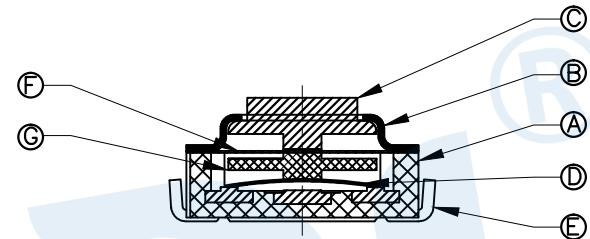
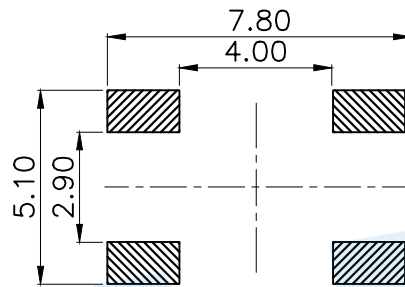
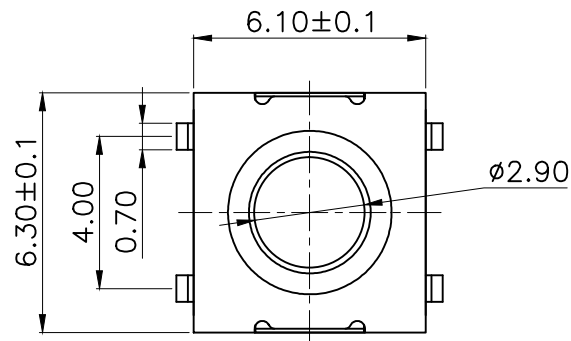
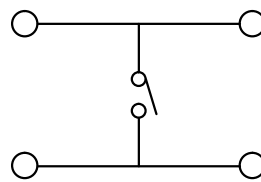
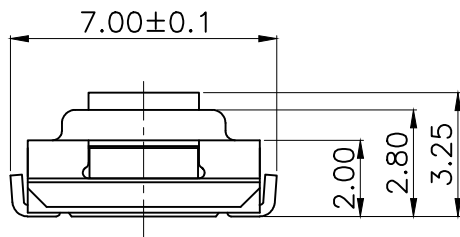


RoHS



| SHRAPNEL | |
|----------|--------------|
| CODE | MATERIAL/QTY |
| D2 | SUS/1PCS |
| D4 | SUS/2PCS |

| OPERATING FORCE | |
|-----------------|----------|
| CODE | VIGOR |
| B2 | 180±30gf |
| B3 | 250±30gf |



Circuit Diagram

| NO. | Name | Number | Qty | Materil | Remarkd |
|-----|-------------|--------|-----|-------------------|----------------|
| ⑥ | Plastic mat | | 1 | LCP | Black |
| ⑦ | Dust film | | 1 | Polyimide tape | |
| ⑤ | Terminal | | 4 | Phosphorus copper | Silvering |
| ④ | Reed | | 1 | SUS | Silver covered |
| ③ | Button | | 1 | PPA | Dark red |
| ② | Cover | | 1 | SUS | Pickling |
| ① | Base | | 1 | PA6T | Black |

YUANDI® Yuandi Electronics Co, Ltd

| | | | |
|----------|------|------|----------------|
| design | date | name | TACT SWITCHS |
| Review | date | name | TS-1081UA-B□□□ |
| Approved | date | name | |

Drawing number: Proportion 1:1 unit mm gage number A4

modify Review Approved Tolerance not specified

| | |
|-------|-------|
| angle | ±2' |
| 10~30 | ±0.30 |
| 5~10 | ±0.20 |
| ~ 5 | ±0.10 |