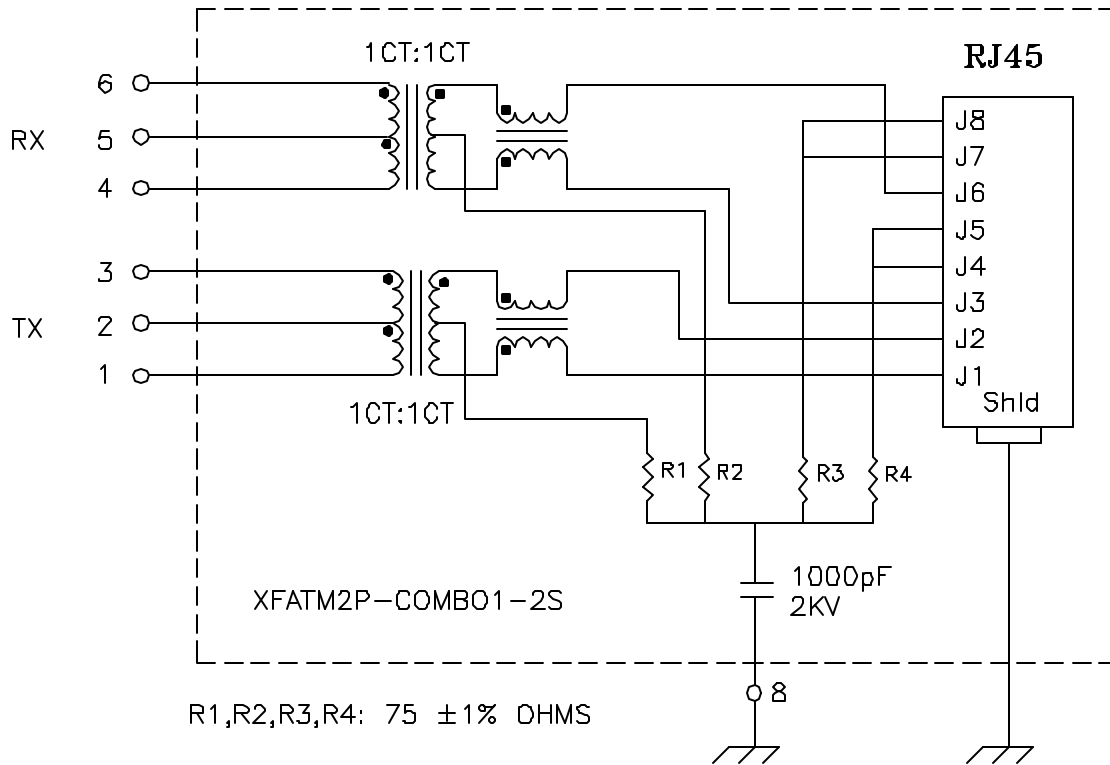


Schematic:



Electrical Specifications: @25°C

Isolation Voltage: 1500 Vac (J1+J2 to P1+P3), (J3+J6 to P4+P6)

Isolation Voltage: 500 Vac (1+2+3 to 4+5+6)

OCL: P6-P4, 350uH Min @100KHz 100mV 8mADC

OCL: P3-P1, 350uH Min @100KHz 100mV 8mADC

DCR: J6-J3 = J2-J1, 1.20 Ohms Max

Interwinding Capacitance: 30pF Max (P6,P5,P4 to J6,J3)

Interwinding Capacitance: 30pF Max (P3,P2,P1 to J2,J1)

Rise Time (10-90%): 3.0ns Max

Insertion Loss (300KHz-100MHz): -1.1dB Maximum

Insertion Loss (100MHz-125MHz): -1.5dB Maximum

Return Loss: -12dB Typical @1MHz - 80MHz

Crosstalk:

1MHz-100MHz -40dB Typical

Common Mode to Differential Mode Rejection:

30MHz-100MHz -35dB Typ (Tx) / -35dB Typ (Rx)

XFMRs Inc.

Title:

SINGLE PORT COMBO

UNLESS OTHERWISE SPECIFIED

TOLERANCES:

.xxx ±0.010

Dimensions in Inch

SHEET 1 OF 2

P/N: XFATM2P-COMBO1-2S

REV. A

DWN.

廖玉坤

Feb-26-01

CHK.

李清儿

Feb-26-01

APP.

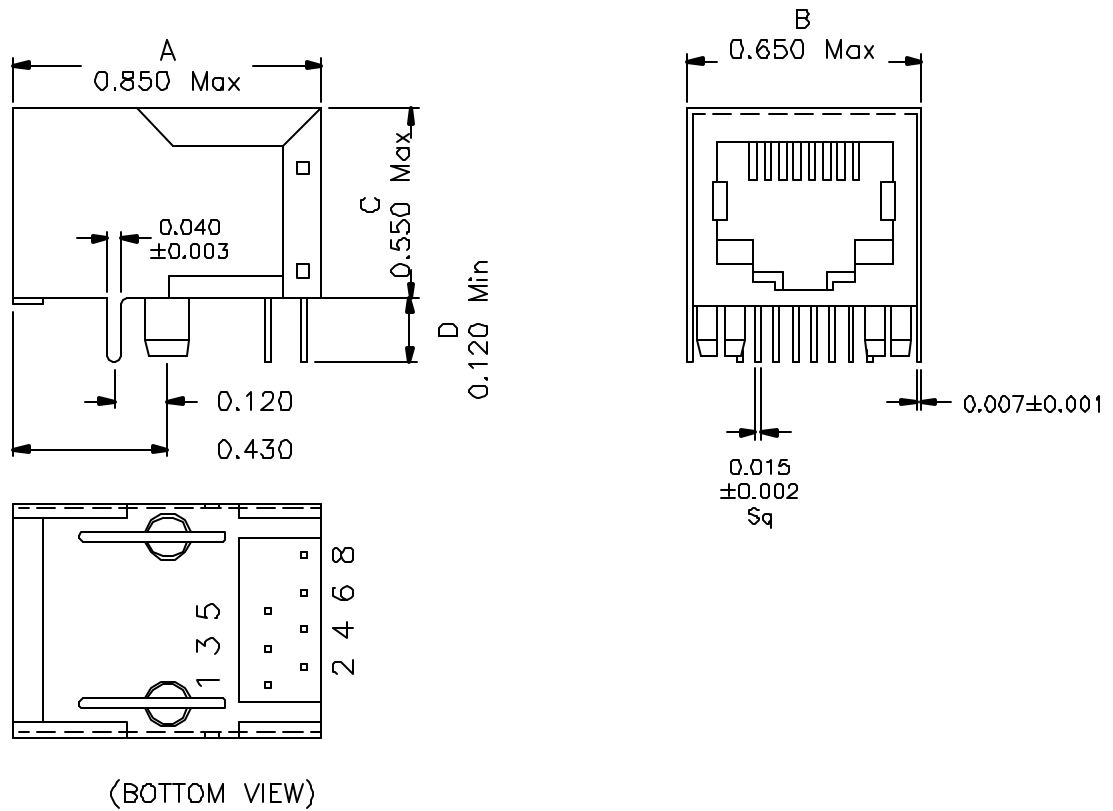
Joe Huff

Feb-26-01

DOC. REV: A/3

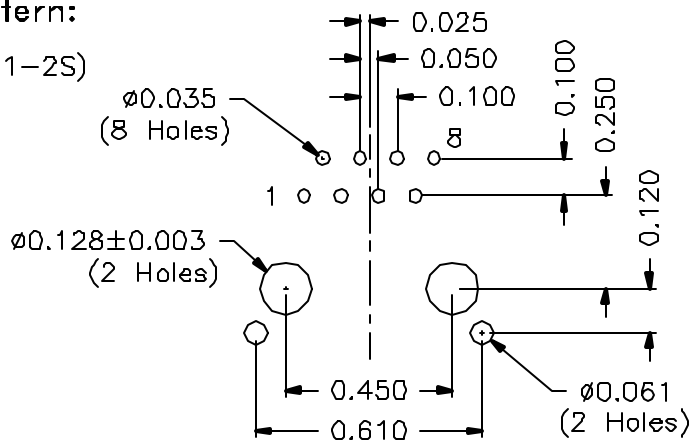
Mechanical Dimensions:

XFMR5
XFATM2P-
COMB01-2S
YYWW



Mounting Pattern:

(FOR COMB01-2S)
 (COMP SIDE)



DOC. REV: A/3

XFMR5 Inc.	Title: Mechanical Dimensions For COMB01-2S Series		
	UNLESS OTHERWISE SPECIFIED TOLERANCES: .xxx ±0.010 Dimensions in Inch	P/N: XFATM2P-COMB01-2S	REV.A
	DWN.	廖玉坤	Feb-26-01
	CHK.	李清儿	Feb-26-01
SHEET 2 OF 2	APP.	Joe Huff	Feb-26-01