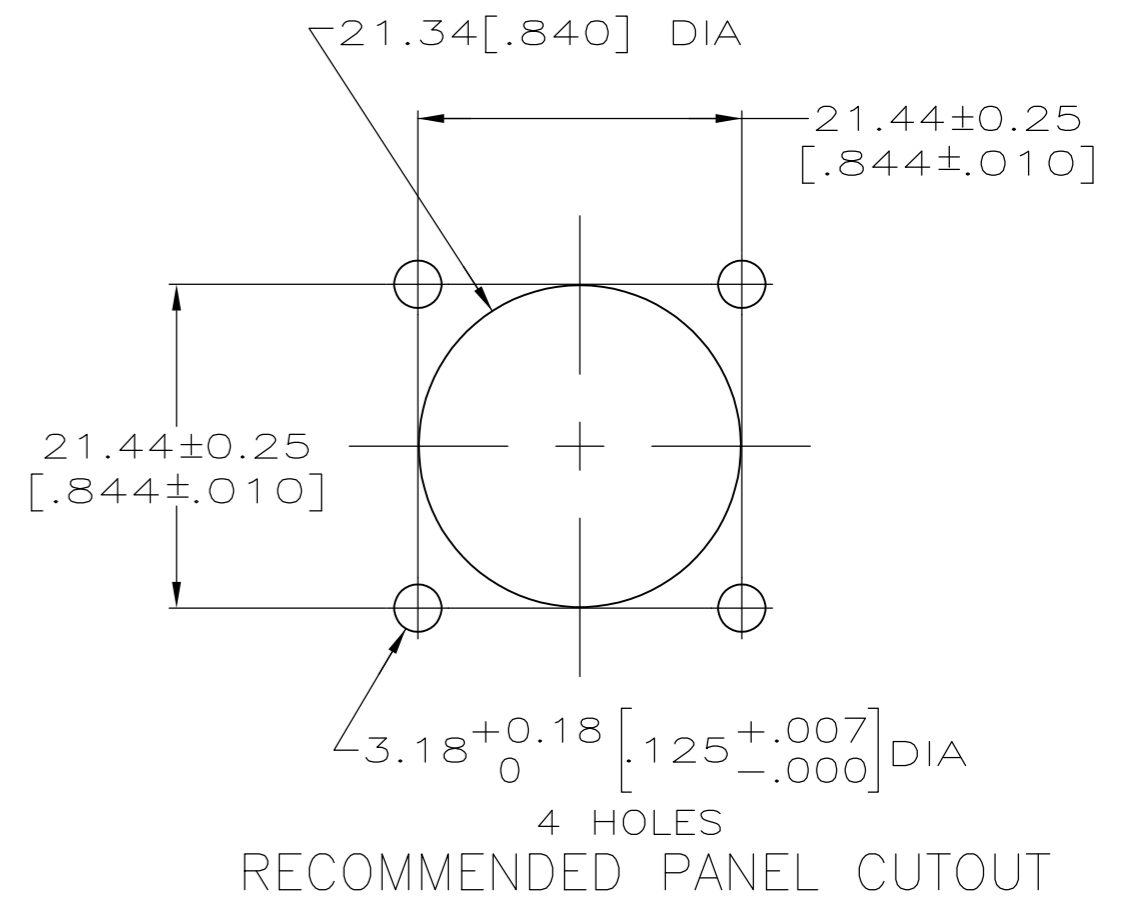
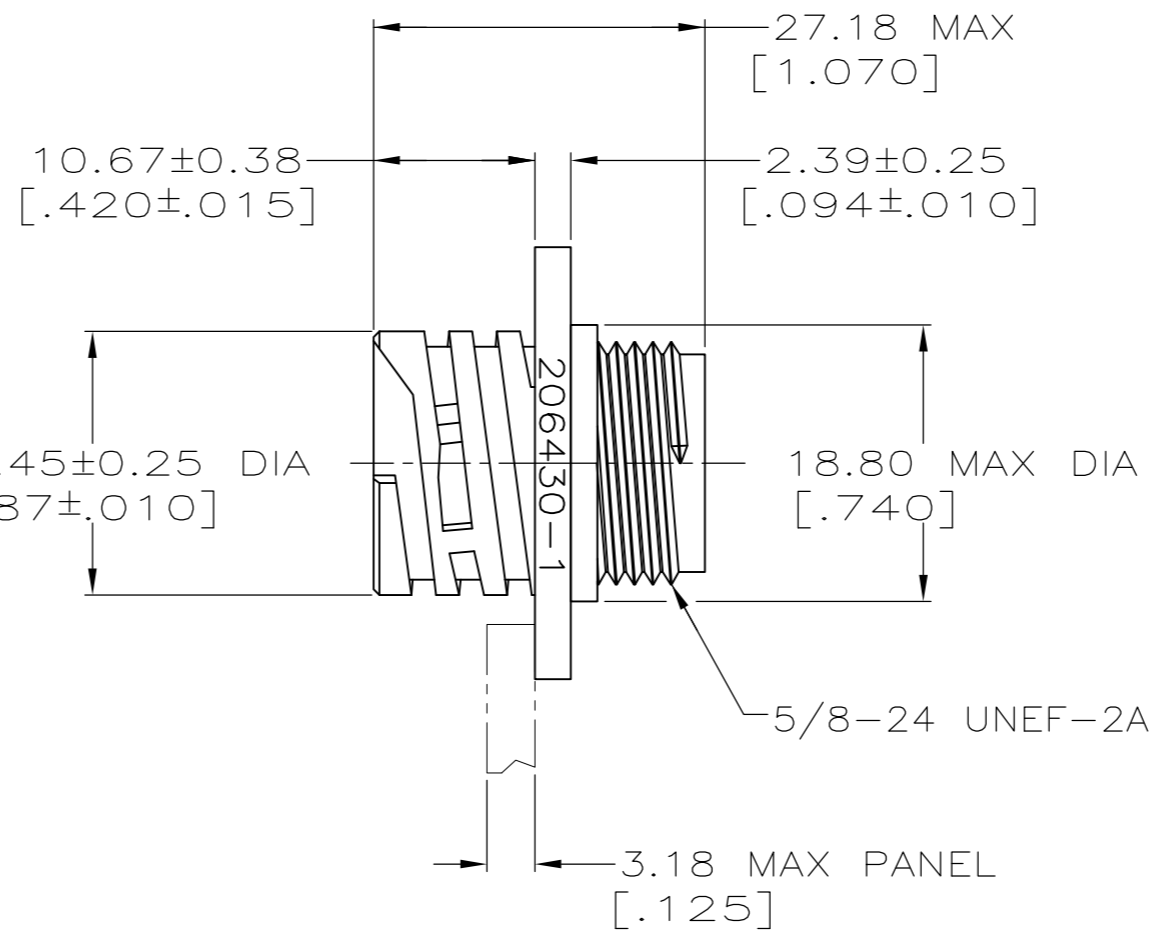
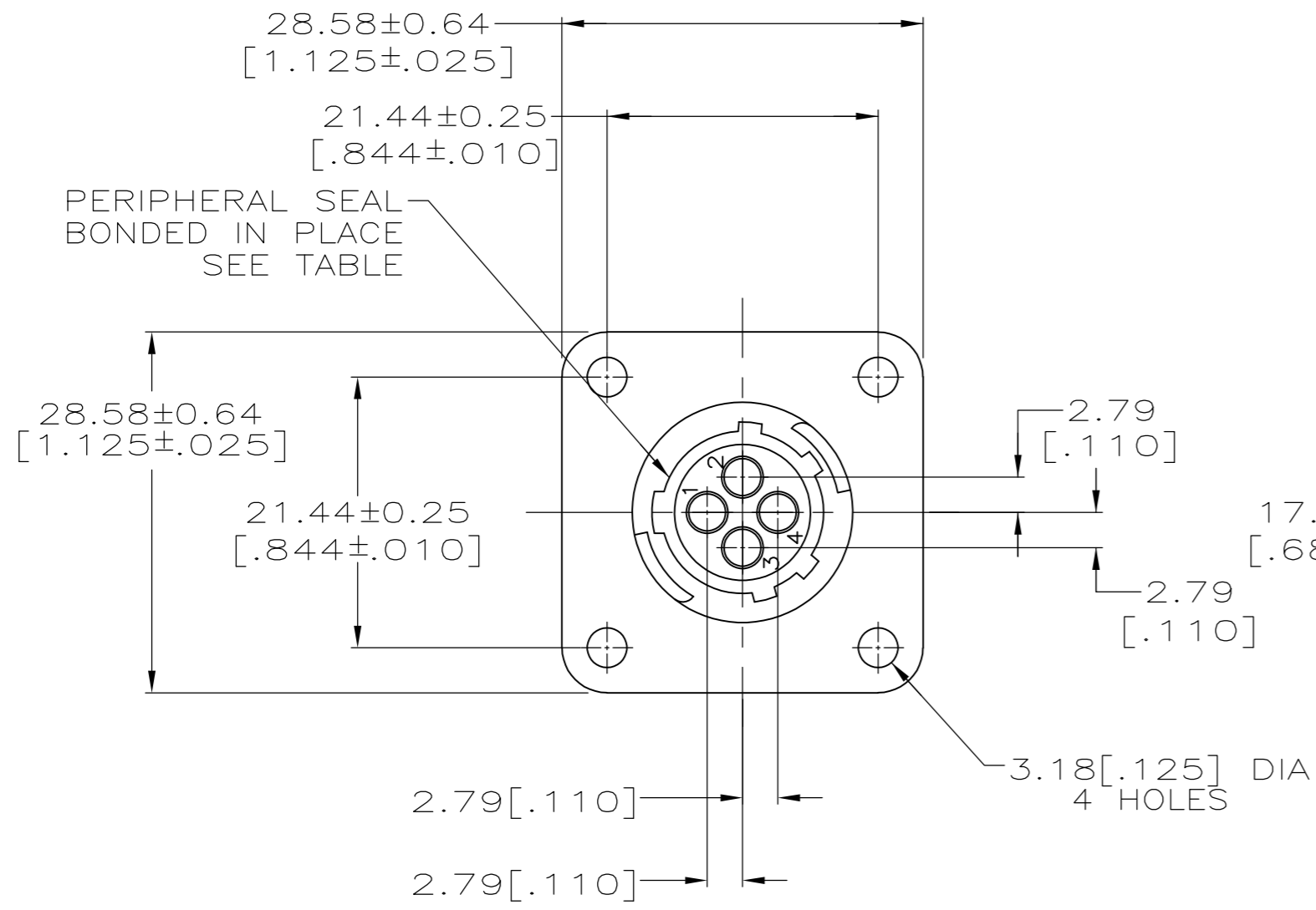
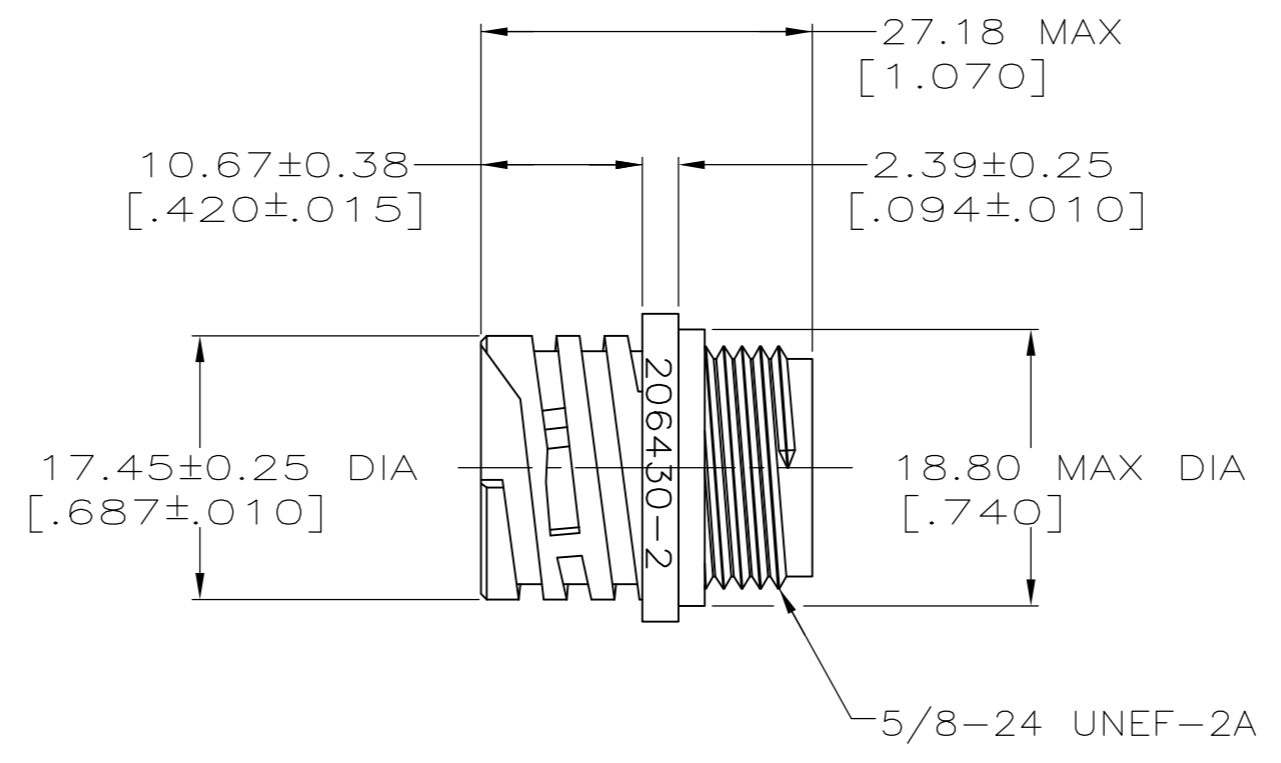
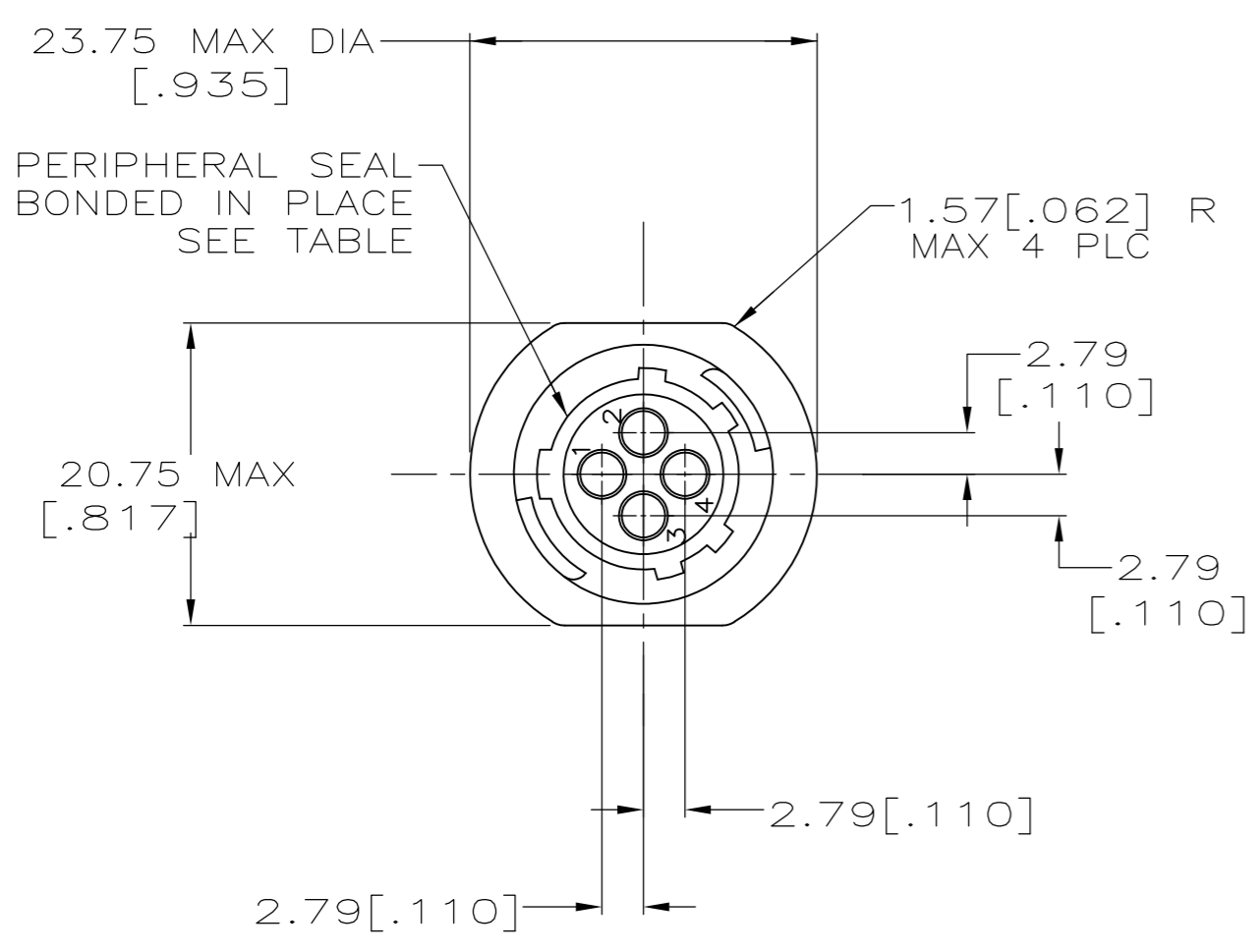


THIS DRAWING IS UNPUBLISHED. RELEASED FOR PUBLICATION  
 © COPYRIGHT - By - ALL RIGHTS RESERVED.

REVISIONS					
P	LTR	DESCRIPTION	DATE	DWN	APVD
J		REVISED PER ECO-14-003985	18MAR2014	NK	MZ
K		REVISED PER ECR-16-017870	20APR2017	BDA	MZ



DETAIL A



DETAIL B

OBSOLETE	SMALL PACK	NO	A	206430-5
	STANDARD	YES	B	206430-4
	STANDARD	YES	A	206430-3
	STANDARD	NO	B	206430-2
	STANDARD	NO	A	206430-1
	PACKAGING	PERIPHERAL SEAL	SEE DETAIL	PART NO

- 1 CAVITY IDENTIFICATION ON FRONT AND REAR FACE.
- 2 WILL ACCEPT FOUR (4) MULTIMATE SOCKET CONTACTS.

THIS DRAWING IS A CONTROLLED DOCUMENT.

DWN	W.LENKER	09/09/92		TE Connectivity RECEPTACLE HOUSING, REVERSE SEX, SHELL SIZE 11, CPC
CHK	R.STONE	08/11/93		
APVD	A.FRANTUM	08/13/93		
NAME				
DIMENSIONS:	TOLERANCES UNLESS OTHERWISE SPECIFIED:		PRODUCT SPEC	108-10024
INCHES	0 PLC ± -	1 PLC ± -	APPLICATION SPEC	
	2 PLC ± 0.13 [.005]	3 PLC ± -	WEIGHT	-
	4 PLC ± -	ANGLES ± -	SCALE	2:1
MATERIAL	NYLON, BLACK	FINISH	-	
CUSTOMER DRAWING			SIZE	A2
			CAGE CODE	00779
			DRAWING NO	C=206430
			RESTRICTED TO	-
			SHEET	1 of 1
			REV	K