



SBL3045C

Preliminary

DIODE

LOW DROP POWER SCHOTTKY RECTIFIER

■ DESCRIPTION

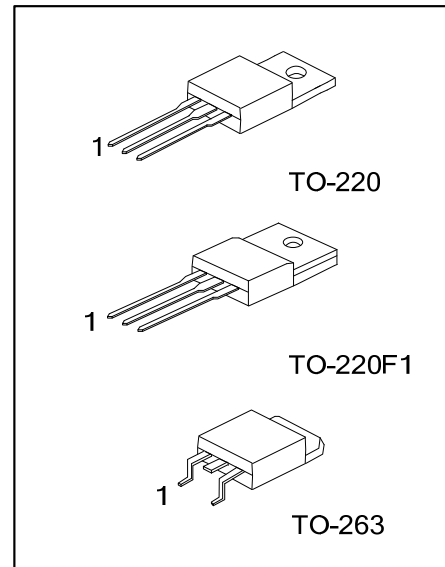
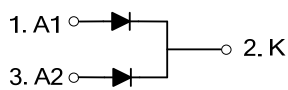
The UTC **SBL3045C** is a dual center tap schottky rectifiers, it uses UTC's advanced technology to provide the customers with low forward voltage, high switching speed and low thermal resistance, etc.

The UTC **SBL3045C** is suitable for high frequency DC-DC converter and switched mode power supplies, etc.

■ FEATURES

- * High switching speed
- * Low forward voltage drop
- * Low thermal resistance

■ SYMBOL



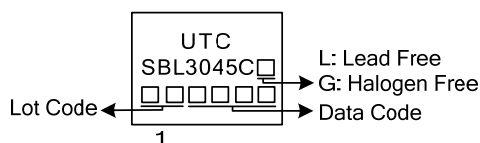
■ ORDERING INFORMATION

Ordering Number		Package	Pin Assignment			Packing
Lead Free	Halogen Free		1	2	3	
SBL3045CL-TA3-T	SBL3045CG-TA3-T	TO-220	A1	K	A2	Tube
SBL3045CL-TF1-T	SBL3045CG-TF1-T	TO-220F1	A1	K	A2	Tube
SBL3045CL-TQ2-T	SBL3045CG-TQ2-T	TO-263	A1	K	A2	Tube
SBL3045CL-TQ2-R	SBL3045CG-TQ2-R	TO-263	A1	K	A2	Tape Reel

Note: Pin Assignment: A1: Anode K: Cathode A2: Anode

<p>SBL3045CL-TA3-T</p> <ul style="list-style-type: none"> (1) Packing Type (2) Package Type (3) Green Package 	<ul style="list-style-type: none"> (1) T: Tube (2) TA3 : TO-220, TF1: TO-220F1, TQ2: TO-263 (3) L: Lead Free, G: Halogen Free and Lead Free
--	--

■ MARKING



■ ABSOLUTE MAXIMUM RATINGS ($T_A=25^{\circ}\text{C}$, unless otherwise specified)

PARAMETER		SYMBOL	RATINGS	UNIT
Recurrent Peak Reverse Voltage		V_{RRM}	45	V
RMS Voltage		V_{RWM}	45	V
RMS Reverse Voltage		$V_{R(RMS)}$	32	V
DC Blocking Voltage		V_R	45	V
Average Forward Rectified Current	Per Leg	I_o	15	A
	Per Package		30	
Peak Forward Surge Current 8.3ms Single Half Sine-Wave Superimposed on Rated Load Per Diode		I_{FSM}	180	A
Critical Rate of Rise of Reverse Voltage		dV/dt	10000	V/ μs
Operating Junction Temperature		T_J	150	$^{\circ}\text{C}$
Storage Temperature		T_{STG}	-65~+150	$^{\circ}\text{C}$

Note: 1. Absolute maximum ratings are those values beyond which the device could be permanently damaged. Absolute maximum ratings are stress ratings only and functional device operation is not implied.

2. $\frac{dP_{tot}}{dT_J} < \frac{1}{R_{th(j-a)}}$ thermal runaway condition for a diode on its own heatsink

■ THERMAL RESISTANCES

PARAMETER		SYMBOL	RATINGS	UNIT
Junction to Ambient		θ_{JA}	62.5	$^{\circ}\text{C/W}$
Junction to Case	TO-220/TO-263	θ_{JC}	1.60	$^{\circ}\text{C/W}$
	TO-220F1		3.31	$^{\circ}\text{C/W}$

■ ELECTRICAL CHARACTERISTICS ($T_A=25^{\circ}\text{C}$, unless otherwise noted.)

PARAMETER	SYMBOL	TEST CONDITIONS	MIN	TYP	MAX	UNIT
Reverse Breakdown Voltage (Note 3)	$V_{(BR)R}$	$I_R=0.50\text{mA}$	45			V
Forward Voltage Drop	V_{FM}	$T_J=25^{\circ}\text{C}$, $I_F=15\text{A}$		0.56	0.62	V
		$T_J=125^{\circ}\text{C}$, $I_F=15\text{A}$			0.57	V
Leakage Current (Note 3)	I_{RM}	$V_R=V_{RM}$, $T_J=25^{\circ}\text{C}$			1	mA
		$V_R=V_{RM}$, $T_J=125^{\circ}\text{C}$			75	mA

Notes: 1. Pulse Test: 380 μs pulse width, 2% duty cycle.

2. Measured at 1.0MHz and applied reverse voltage of 4.0V DC.

3. Short duration pulse test used to minimize self-heating effect.

4. Thermal resistance junction to case mounted on heatsink.

5. Mounted on an FR4 PCB, single-sided copper, with 100 cm^2 copper pad area.

UTC assumes no responsibility for equipment failures that result from using products at values that exceed, even momentarily, rated values (such as maximum ratings, operating condition ranges, or other parameters) listed in products specifications of any and all UTC products described or contained herein. UTC products are not designed for use in life support appliances, devices or systems where malfunction of these products can be reasonably expected to result in personal injury. Reproduction in whole or in part is prohibited without the prior written consent of the copyright owner. The information presented in this document does not form part of any quotation or contract, is believed to be accurate and reliable and may be changed without notice.