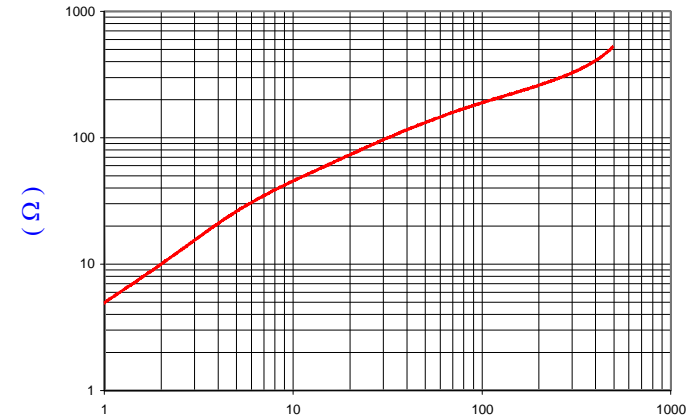


| IMPEDANCE (Z) | | | |
|-----------------|-------------|--------------|--------------|
| Frequency | 25 MHz | 100 MHz | 300 MHz |
| Nominal (REF) | 75 Ω | 170 Ω | 320 Ω |
| Minimum | - Ω | 136 Ω | - Ω |

Z vs. FREQUENCY
(REF. ONLY)

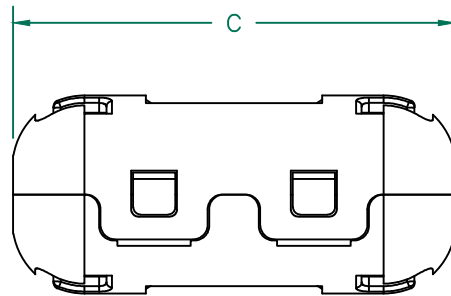
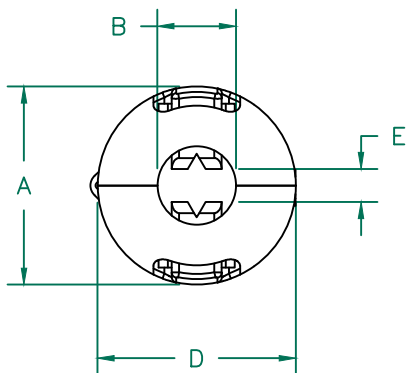


FERRITE CORE DIMENSIONS:

| | | | |
|---|--------------|-------|-------------|
| A | 9.96 [.392] | \pm | 0.15 [.006] |
| B | 4.88 [.192] | \pm | 0.13 [.005] |
| C | 20.50 [.807] | \pm | 0.25 [.010] |
| D | 4.14 [.163] | \pm | 0.13 [.005] |

UNCONTROLLED DOCUMENT

RoHS



FREQUENCY (MHz)

AGILENT E4991A Impedance/Material Analyzer
HP 16092A-Test Fixture REF 3219

NOTES:

1. ASSEMBLED PART #: 28A0392-0A2
2. CASE COLOR: BLACK
3. CASE FLAMMABILITY RATING: UL94 V-2.
4. CASE MATERIAL: Halogen Free Nylon
5. COSMETIC SPECIFICATION REFER TO WI-QA-038.

CASE DIMENSIONS:

| | | | |
|---|---------------|-------|------|
| A | 13.72 [.540] | \pm | REF. |
| B | 5.44 [.214] | \pm | REF. |
| C | 30.56 [1.203] | \pm | REF. |
| D | 13.72 [.540] | \pm | REF. |
| E | 2.29 [.090] | \pm | REF. |

| DIMENSIONS ARE IN mm [INCHES]. | | | | This print is the property of Laird Tech. and is loaned in confidence subject to return upon request and with the understanding that no copies shall be made without the written consent of Laird Tech. All rights to design or invention are reserved. | | | | | |
|--------------------------------|---|----------|-----|---|--|-----|---|----------------------------------|------------------|
| REV | DESCRIPTION | DATE | INT | | | | | | |
| K | UPDATE COMPANY LOGO, ADD NOTE 5 | 08/21/14 | QIU | PROJECT/PART NUMBER: 28A0392-0A2 DATE: 06/25/04 SCALE: NTS MATERIAL: Ferrite CAD # 28A0392-0A2-K TOOL # - | | REV | K | PART TYPE: FERRITE SNAP ON | DRAWN BY: JRK |
| J | UPDATED NOTE 3 | 09/15/10 | JUN | | | | | | |
| H | UPDATE LOGO ADD NOTES 3&4 | 01/26/09 | JRK | | | | | | |
| G | UPDATE 100MHz MINIMUM VALUE | 06/26/07 | TMB | | | | | | |
| F | UPDATE COMPANY LOGO | 04/17/07 | TMB | | | | | | |
| E | ADD DIMENSION E TO CASE CALLOUT | 02/05/07 | TMB | | | | | | |
| D | CHANGE CASE TOLERANCES TO REF REMOVE CORE & CASE REF REVISE NOTES | 07/27/06 | TMB | | | | | | |
| C | UPDATE CORE AND CASE DESIGN REVISE NOTES | 09/23/05 | TMB | | | | | | |
| REV | DESCRIPTION | DATE | INT | | | | | | |