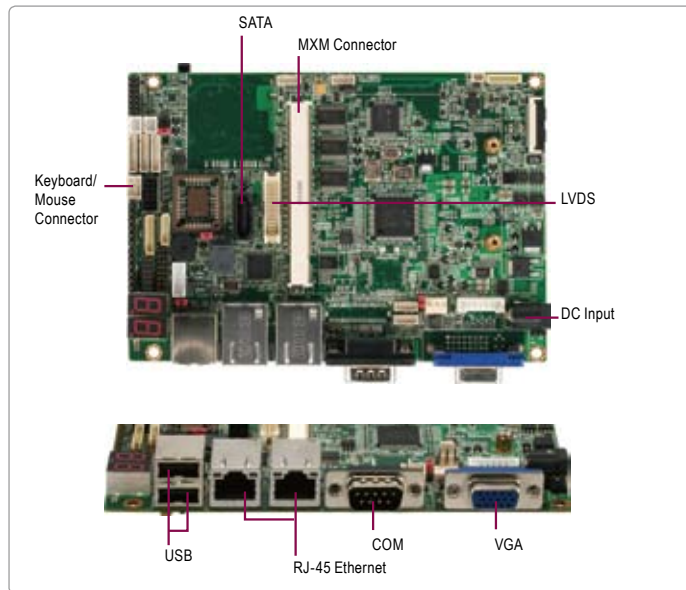


## Qseven Carrier Board



## Specifications

System	
Form Factor	3.5"
I/O Chipset	Winbond W83627DH6-P
Ethernet	Intel® 82574L, 10/100/1000Base-TX, RJ-45 x 1 10/100/1000Base-TX, RJ-45 x 1 (From CPU module)
Expansion Interface	Mini Card slot x 1 SD Connector x 1 SIM Connector x 1 LPC Connector x 1
Power Supply Type	+8.5V to 19V Wide DC Input Range Battery Connector x 1
Power Requirement	+5V DC
Power Consumption (Typical)	—
Board Size	2.75" (L) x 2.75" (W) (70mm x 70mm): Without SSD, TF-AQ7-LN-A10 3.35" (L) x 2.75" (W) (85mm x 70mm): With SSD, TF-AQ7-LN-B10
Gross Weight	0.44 lb (0.2kg)
Operating Temperature	32°F ~ 140°F (0°C ~ 60°C)
Storage Temperature	-40°F ~ 176°F (-40°C ~ 80°C)
Operating Humidity	0% ~ 90% relative humidity, non-condensing
MTBF (Hours)	—
Display	
	Supports CRT/LCD simultaneous/ dual view displays
VGA	DB15 connector x 1
DVI	DB30 connector x 1 (optional)
LVDS	Dual-channel LVDS connector x 1
I/O	
Storage	SATA x 1
Serial Port	RS-232 port x 3 (9-pin D-Sub connector x 1 + 9-pin wafer box x 2) RS-232/422/485 x 1 (9-pin wafer box)
Parallel Port	—
USB	Type-A connector x 2, Wafer x 4
KB/MS	Wafer x 1
Digital I/O	Supports 8-bit
Audio	Audio connector, supports Line-in, Line-out, Microphone, CD-in
Touch Screen (Optional)	Supports 4/5/8-wire

## Features

- Supports Qseven Module
- Supports Gigabit Ethernet, RJ-45 x 2
- VGA, SDVO (Optional), Touch Screen, 18-bit Dual Channel LVDS Connector
- 2 Channel Audio
- SATA Port x 1, CompactFlash™ Type 2 Slot x 1
- USB Port x 6, COM Port x 2
- Mini Card x 1, SD Connector x 1, SIM Connector x 1
- LPC Connector x 1
- +8.5V to +19V Wide DC Input Range
- 3.5" Form Factor



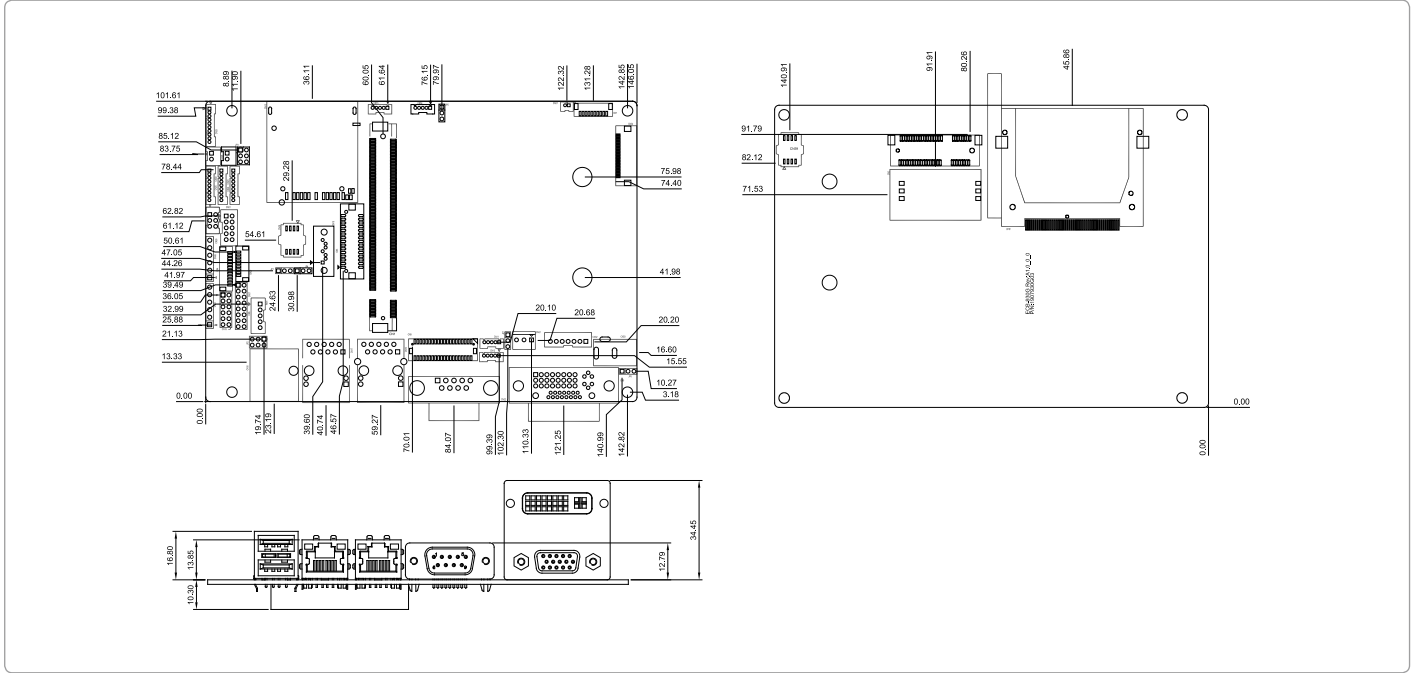
## Packing List

- **9681930G00:**  
Cable Kit
  - 1700060152 KB/MS Cable x 1
  - 1700050207 USB Cable x 1
  - 1709070500 SATA Cable x 1
  - 1701090150 COM Cable x 1
  - 1709100254 Audio Cable x 1
  - 1700100126 VGA Cable x 1
- **Quick Installation Guide**
- **ECB-930G**

# ECB-930G

## Dimension

Unit: mm



## Ordering Information

- **TF-ECB-930G-A10**  
Qseven Carrier Board 3.5", Dual Gigabit Ethernet, 2CH Audio, 2 COM (Winbond), USB, Mini Card, DC, Rev.A1.0

## Optional Accessories

- **1757306502**  
Power Adaptor
- **9789PC3200**  
Li-Ion Battery Module