

LMP91000

Sensor AFE System: Configurable AFE Potentiostat for Low-Power Chemical Sensing Applications

General Description

The LMP91000 is a programmable Analog Front End (AFE) for use in micro-power electrochemical sensing applications. It provides a complete signal path solution between a sensor and a microcontroller that generates an output voltage proportional to the cell current. The LMP91000's programmability enables it to support multiple electrochemical sensors such as 3-lead toxic gas sensors and 2-lead galvanic cell sensors with a single design as opposed to the multiple discrete solutions. The LMP91000 supports gas sensitivities over a range of 0.5 nA/ppm to 9500 nA/ppm. It also allows for an easy conversion of current ranges from 5 μ A to 750 μ A full scale.

The LMP91000's adjustable cell bias and transimpedance amplifier (TIA) gain are programmable through the the I²C interface. The I²C interface can also be used for sensor diagnostics. An integrated temperature sensor can be read by the user through the VOUT pin and used to provide additional signal correction in the μ C or monitored to verify temperature conditions at the sensor.

The LMP91000 is optimized for micro-power applications and operates over a voltage range of 2.7V to 5.25V. The total current consumption can be less than 10 μ A. Further power savings are possible by switching off the TIA amplifier and shorting the reference electrode to the working electrode with an internal switch.

Features

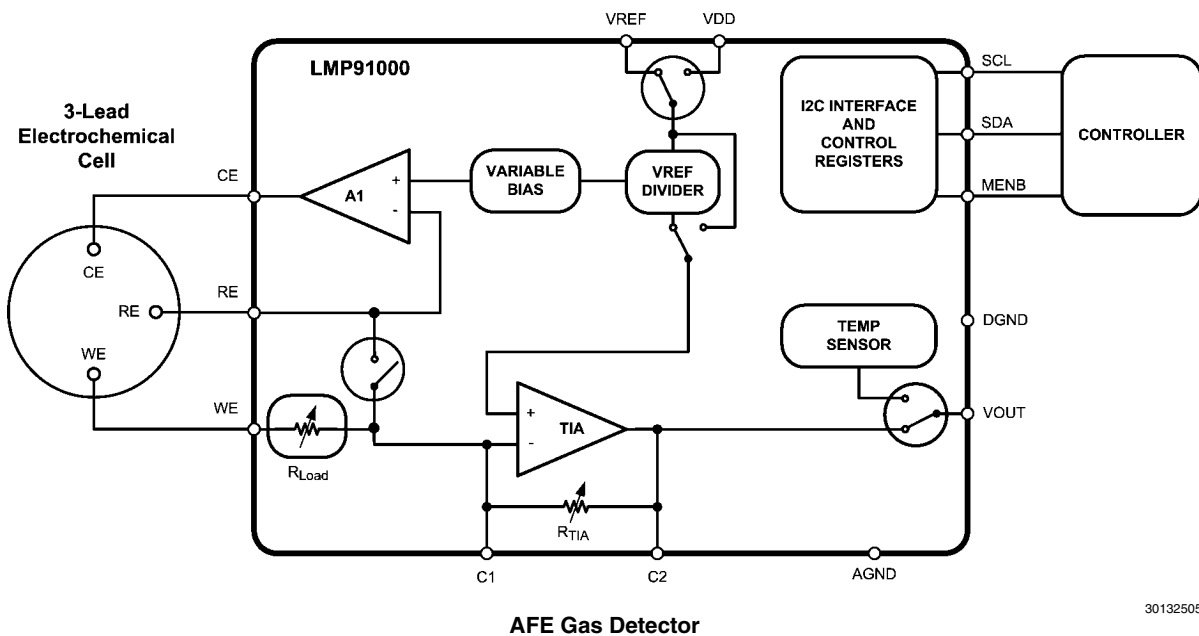
Typical Values, T_A = 25°C

- Supply voltage 2.7 V to 5.25 V
- Supply current (average over time) <10 μ A
- Cell conditioning current up to 10 mA
- Reference electrode bias current (85°C) 900pA (max)
- Output drive current 750 μ A
- Complete potentiostat circuit to interface to most chemical cells
- Programmable cell bias voltage
- Low bias voltage drift
- Programmable TIA gain 2.75k Ω to 350k Ω
- Sink and source capability
- I²C compatible digital interface
- Ambient operating temperature -40°C to 85°C
- Package 14 pin LLP
- Supported by Webench Sensor AFE Designer

Applications

- Chemical species identification
- Amperometric applications
- Electrochemical blood glucose meter

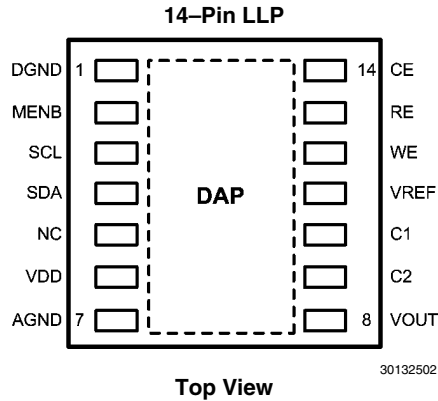
Typical Application



Ordering Information

Package	Part Number	Package Marking	Transport Media	NSC Drawing
14-Pin LLP	LMP91000SD	L91000	1k Units Tape and Reel	SDA14B
	LMP91000SDE		250 Units Tape and Reel	
	LMP91000SDX		4.5k Units Tape and Reel	

Connection Diagram



Pin Descriptions

Pin	Name	Description
1	DGND	Connect to ground
2	MENB	Module Enable, Active Low
3	SCL	Clock signal for I ² C compatible interface
4	SDA	Data for I ² C compatible interface
5	NC	Not Internally Connected
6	VDD	Supply Voltage
7	AGND	Ground
8	VOUT	Analog Output
9	C2	External filter connector (Filter between C1 and C2)
10	C1	External filter connector (Filter between C1 and C2)
11	VREF	Voltage Reference input
12	WE	Working Electrode. Output to drive the Working Electrode of the chemical sensor
13	RE	Reference Electrode. Input to drive Counter Electrode of the chemical sensor
14	CE	Counter Electrode. Output to drive Counter Electrode of the chemical sensor
	DAP	Connect to AGND

Absolute Maximum Ratings *(Note 1)*

If Military/Aerospace specified devices are required, please contact the Texas Instruments Sales Office/Distributors for availability and specifications.

ESD Tolerance <i>(Note 2)</i>	
Human Body Model	2kV
Charge-Device Model	1kV
Machine Model	200V
Voltage between any two pins	6.0V
Current through VDD or VSS	50mA
Current sunk and sourced by CE pin	10mA
Current out of other pins <i>(Note 3)</i>	5mA
Storage Temperature Range	-65°C to 150°C
Junction Temperature <i>(Note 4)</i>	150°C

For soldering specifications:

see product folder at www.national.com and
www.national.com/ms/MS/MS-SOLDERING.pdf

Operating Ratings *(Note 1)*

Supply Voltage $V_S=(VDD - AGND)$	2.7V to 5.25V
Temperature Range <i>(Note 4)</i>	-40°C to 85°C
Package Thermal Resistance <i>(Note 4)</i>	
14-Pin LLP (θ_{JA})	44 °C/W

Electrical Characteristics *(Note 5)*

Unless otherwise specified, all limits guaranteed for $T_A = 25^\circ\text{C}$, $V_S=(VDD - AGND)$, $V_S=3.3\text{V}$ and $AGND = DGND = 0\text{V}$, $VREF=2.5\text{V}$, Internal Zero= 20% VREF. **Boldface** limits apply at the temperature extremes.

Symbol	Parameter	Conditions	Min <i>(Note 7)</i>	Typ <i>(Note 6)</i>	Max <i>(Note 7)</i>	Units
Power Supply Specification						
I_S	Supply Current	3-lead amperometric cell mode MODECN = 0x03		10	15 13.5	μA
		Standby mode MODECN = 0x02		6.5	10 8	
		Temperature Measurement mode with TIA OFF MODECN = 0x06		11.4	15 13.5	
		Temperature Measurement mode with TIA ON MODECN = 0x07		14.9	20 18	
		2-lead ground referred galvanic cell mode VREF=1.5V MODECN = 0x01		6.2	9 8	
		Deep Sleep mode MODECN = 0x00		0.6	1 0.85	
Potentiostat						
Bias_RW	Bias Programming range (differential voltage between RE pin and WE pin)	Percentage of voltage referred to VREF or VDD		± 24		%
		Bias Programming Resolution	First two smallest step	± 1		%
			All other steps		± 2	
I_{RE}	Input bias current at RE pin	VDD=2.7V; Internal Zero 50% VDD	-90		90	pA
		VDD=5.25V; Internal Zero 50% VDD	-800		800	
			-90		90	
I_{CE}	Minimum operating current capability	sink		750		μA
		source		750		μA
	Minimum charging capability <i>(Note 9)</i>	sink		10		mA
		source		10		mA
AOL_A1	Open loop voltage gain of control loop op amp (A1)	$300\text{mV} \leq V_{CE} \leq V_S - 300\text{mV}$; $-750\mu\text{A} \leq I_{CE} \leq 750\mu\text{A}$	104	120		dB
en_RW	Low Frequency integrated noise between RE pin and WE pin	0.1Hz to 10Hz, Zero Bias <i>(Note 10)</i>		3.4		μV_{pp}
		0.1Hz to 10Hz, with Bias <i>(Note 10, Note 11)</i>		5.1		

Symbol	Parameter	Conditions	Min (Note 7)	Typ (Note 6)	Max (Note 7)	Units	
V _{OS_RW}	WE Voltage Offset referred to RE	BIAS polarity (Note 12)	0% VREF Internal Zero=20% VREF	-550	550	μV	
			0% VREF Internal Zero=50% VREF				
			0% VREF Internal Zero=67% VREF				
			$\pm 1\%$ VREF	-575	575		
			$\pm 2\%$ VREF	-610	610		
			$\pm 4\%$ VREF	-750	750		
			$\pm 6\%$ VREF	-840	840		
			$\pm 8\%$ VREF	-930	930		
			$\pm 10\%$ VREF	-1090	1090		
			$\pm 12\%$ VREF	-1235	1235		
			$\pm 14\%$ VREF	-1430	1430		
			$\pm 16\%$ VREF	-1510	1510		
			$\pm 18\%$ VREF	-1575	1575		
			$\pm 20\%$ VREF	-1650	1650		
$\pm 22\%$ VREF	-1700	1700					
$\pm 24\%$ VREF	-1750	1750					
TcV _{OS_RW}	WE Voltage Offset Drift referred to RE from -40°C to 85°C (Note 8)	BIAS polarity (Note 12)	0% VREF Internal Zero=20% VREF	-4	4	$\mu\text{V}/^\circ\text{C}$	
			0% VREF Internal Zero=50% VREF				
			0% VREF Internal Zero=67% VREF				
			$\pm 1\%$ VREF	-4	4		
			$\pm 2\%$ VREF	-4	4		
			$\pm 4\%$ VREF	-5	5		
			$\pm 6\%$ VREF	-5	5		
			$\pm 8\%$ VREF	-5	5		
			$\pm 10\%$ VREF	-6	6		
			$\pm 12\%$ VREF	-6	6		
			$\pm 14\%$ VREF	-7	7		
			$\pm 16\%$ VREF	-7	7		
			$\pm 18\%$ VREF	-8	8		
			$\pm 20\%$ VREF	-8	8		
$\pm 22\%$ VREF	-8	8					
$\pm 24\%$ VREF	-8	8					
TIA_GAIN	Transimpedance gain accuracy			5		%	
	Linearity			± 0.05		%	
	Programmable TIA Gains	7 programmable gain resistors			2.75		kΩ
					3.5		
					7		
				14			
				35			
				120			
				350			
	Maximum external gain resistor			350			

Symbol	Parameter	Conditions	Min (Note 7)	Typ (Note 6)	Max (Note 7)	Units
TIA_ZV	Internal zero voltage	3 programmable percentages of VREF		20 50 67		%
		3 programmable percentages of VDD		20 50 67		
	Internal zero voltage Accuracy			±0.04		%
RL	Programmable Load	4 programmable resistive loads		10 33 50 100		Ω
	Load accuracy			5		%
PSRR	Power Supply Rejection Ratio at RE pin	2.7 ≤VDD≤5.25V	80	110		dB
		Internal zero 20% VREF				
		Internal zero 50% VREF				
		Internal zero 67% VREF				

Temperature Sensor Specification (Refer to [Temperature Sensor Transfer Table](#) in the Function Description section for details)

Temperature Error	TA=-40°C to 85°C	-3		3	°C
Sensitivity	TA=-40°C to 85°C		-8.2		mV/°C
Power on time				1.9	ms

External reference specification

VREF	External Voltage reference range		1.5		VDD	V
	Input impedance			10		MΩ

I²C Interface (Note 5)

Unless otherwise specified, all limits guaranteed for T_A = 25°C, V_S=(VDD – AGND), 2.7V <V_S< 5.25V and AGND = DGND =0V, VREF= 2.5V. **Boldface** limits apply at the temperature extremes

Symbol	Parameter	Conditions	Min (Note 7)	Typ (Note 6)	Max (Note 7)	Units
V _{IH}	Input High Voltage		0.7*VDD			V
V _{IL}	Input Low Voltage				0.3*VDD	V
V _{OL}	Output Low Voltage	I _{OUT} =3mA			0.4	V
	Hysteresis (Note 14)		0.1*VDD			V
C _{IN}	Input Capacitance on all digital pins			0.5		pF

Timing Characteristics (Note 5)

Unless otherwise specified, all limits guaranteed for T_A = 25°C, V_S=(VDD – AGND), V_S=3.3V and AGND = DGND =0V, VREF= 2.5V, Internal Zero= 20% VREF. **Boldface** limits apply at the temperature extremes. Refer to timing diagram in [Figure 1](#).

Symbol	Parameter	Conditions	Min	Typ	Max	Units
f _{SCL}	Clock Frequency		10		100	kHz
t _{LOW}	Clock Low Time		4.7			μs
t _{HIGH}	Clock High Time		4.0			μs
t _{HD;STA}	Data valid	After this period, the first clock pulse is generated	4.0			μs
t _{SU;STA}	Set-up time for a repeated START condition		4.7			μs
t _{HD;DAT}	Data hold time (Note 13)		0			ns
t _{SU;DAT}	Data Setup time		250			ns
t _f	SDA fall time (Note 14)	IL ≤ 3mA; CL ≤ 400pF			250	ns
t _{SU;STO}	Set-up time for STOP condition		4.0			μs

Symbol	Parameter	Conditions	Min	Typ	Max	Units
t_{BUF}	Bus free time between a STOP and START condition		4.7			μs
$t_{VD;DAT}$	Data valid time				3.45	μs
$t_{VD;ACK}$	Data valid acknowledge time				3.45	μs
t_{SP}	Pulse width of spikes that must be suppressed by the input filter(<i>Note 14</i>)				50	ns
$t_{timeout}$	SCL and SDA Timeout		25		100	ms
$t_{EN;START}$	I ² C Interface Enabling		600			ns
$t_{EN;STOP}$	I ² C Interface Disabling		600			ns
$t_{EN;HIGH}$	time between consecutive I ² C interface enabling and disabling		600			ns

Note 1: "Absolute Maximum Ratings" indicate limits beyond which damage to the device may occur, including inoperability and degradation of device reliability and/or performance. Functional operation of the device and/or non-degradation at the Absolute Maximum Ratings or other conditions beyond those indicated in the Operating Ratings is not implied. Operating Ratings indicate conditions at which the device is functional and the device should not be operated beyond such conditions.

Note 2: Human Body Model, applicable std. MIL-STD-883, Method 3015.7. Machine Model, applicable std. JESD22-A115-A (ESD MM std. of JEDEC) Field-Induced Charge-Device Model, applicable std. JESD22-C101-C (ESD FICDM std. of JEDEC).

Note 3: All non-power pins of this device are protected against ESD by snapback devices. Voltage at such pins will rise beyond absmax if current is forced into pin.

Note 4: The maximum power dissipation is a function of $T_{J(MAX)}$, θ_{JA} , and the ambient temperature, T_A . The maximum allowable power dissipation at any ambient temperature is $P_{DMAX} = (T_{J(MAX)} - T_A) / \theta_{JA}$. All numbers apply for packages soldered directly onto a PC board.

Note 5: Electrical Table values apply only for factory testing conditions at the temperature indicated. Factory testing conditions result in very limited self-heating of the device such that $T_J = T_A$. No guarantee of parametric performance is indicated in the electrical tables under conditions of internal self-heating where $T_J > T_A$. Absolute Maximum Ratings indicate junction temperature limits beyond which the device may be permanently degraded, either mechanically or electrically.

Note 6: Typical values represent the most likely parametric norm as determined at the time of characterization. Actual typical values may vary over time and will also depend on the application and configuration. The typical values are not tested and are not guaranteed on shipped production material.

Note 7: Limits are 100% production tested at 25°C. Limits over the operating temperature range are guaranteed through correlations using statistical quality control (SQC) method.

Note 8: Offset voltage temperature drift is determined by dividing the change in VOS at the temperature extremes by the total temperature change.

Starting from the measured voltage offset at temperature T1 ($V_{OS,RW}(T1)$), the voltage offset at temperature T2 ($V_{OS,RW}(T2)$) is calculated according the following formula: $V_{OS,RW}(T2) = V_{OS,RW}(T1) + \text{ABS}(T2 - T1) * TcV_{OS,RW}$.

Note 9: At such currents no accuracy of the output voltage can be expected.

Note 10: This parameter includes both A1 and TIA's noise contribution.

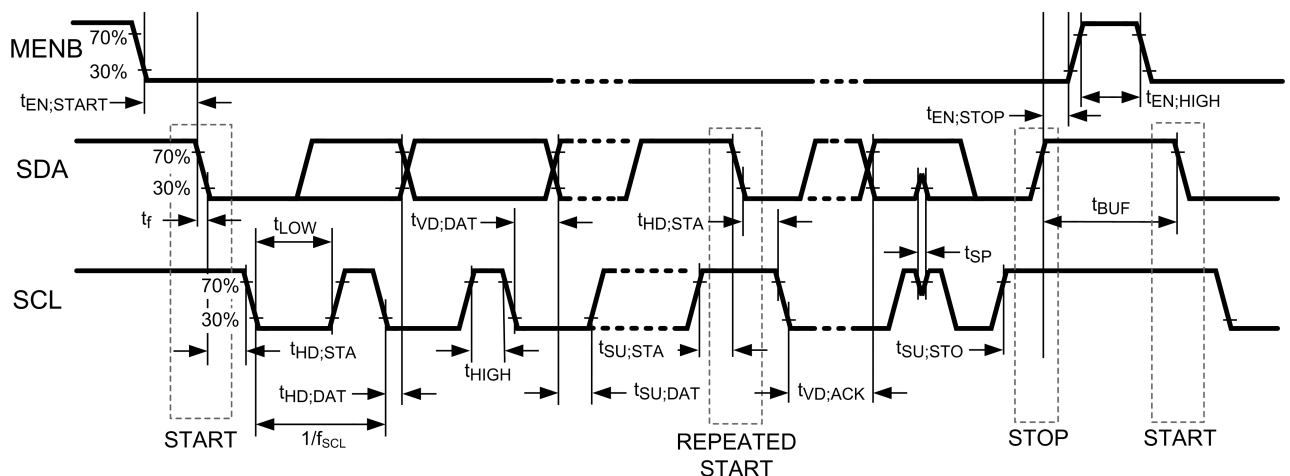
Note 11: In case of external reference connected, the noise of the reference has to be added.

Note 12: For negative bias polarity the Internal Zero is set at 67% VREF.

Note 13: LMP91000 provides an internal 300ns minimum hold time to bridge the undefined region of the falling edge of SCL.

Note 14: This parameter is guaranteed by design or characterization.

Timing Diagram



30132541

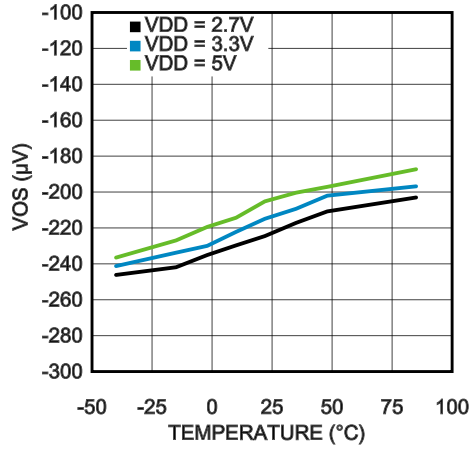
FIGURE 1. I²C Interface Timing Diagram

Typical Performance Characteristics

2.7V < V_S < 5.25V and AGND = DGND = 0V, VREF = 2.5V.

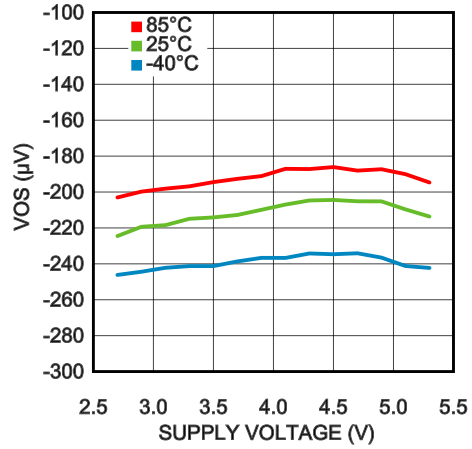
Unless otherwise specified, T_A = 25°C, V_S = (VDD - AGND),

Input V_{OS_RW} vs. temperature (Vbias 0mV)



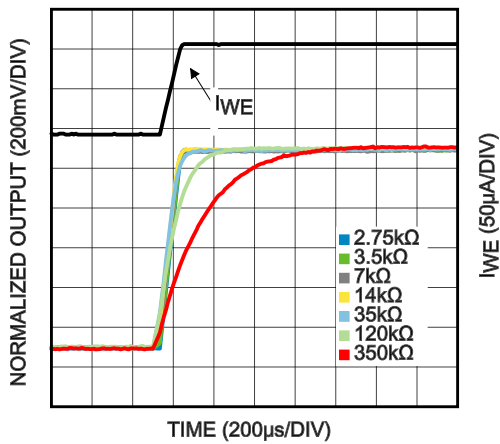
30132563

Input V_{OS_RW} vs. VDD (Vbias 0mV)



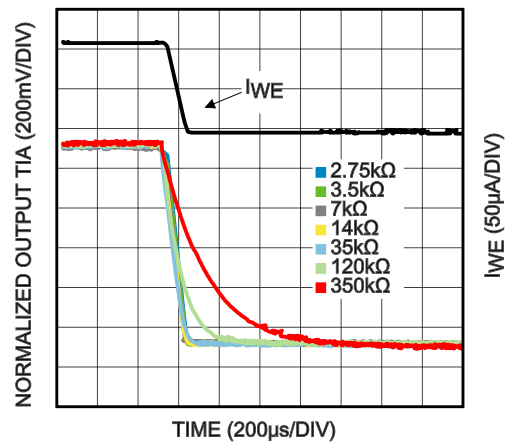
30132562

I_{WE} Step current response (rise)



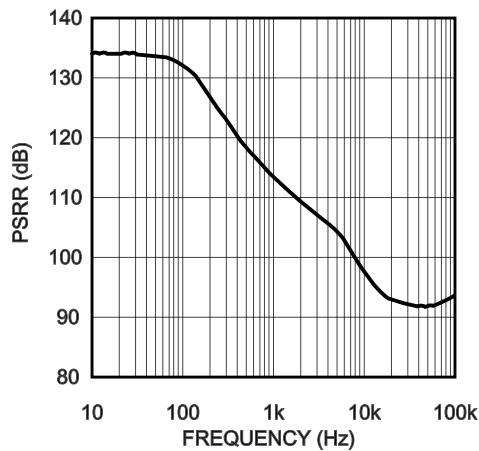
30132564

I_{WE} Step current response (fall)



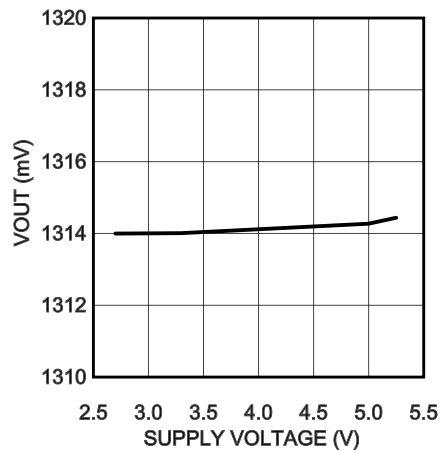
30132566

AC PSRR vs. Frequency



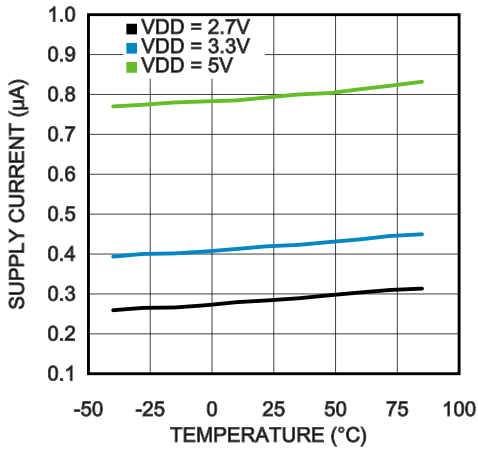
30132560

Temperature sensor output vs. VDD (Temperature = 30°C)



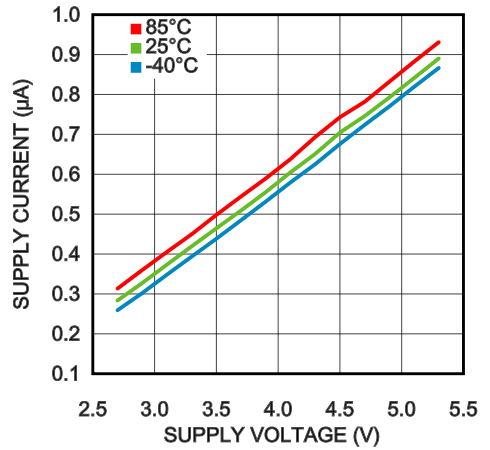
30132569

Supply current vs. temperature (Deep Sleep Mode)



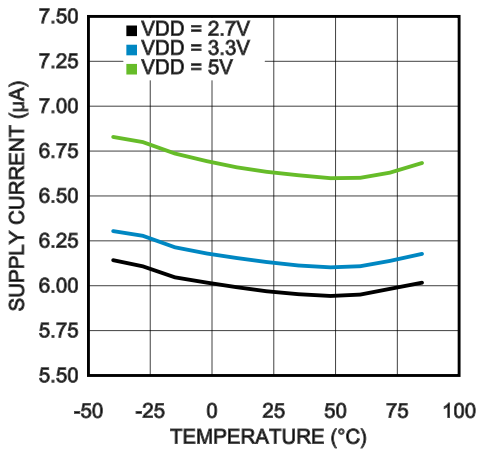
30132591

Supply current vs. VDD (Deep Sleep Mode)



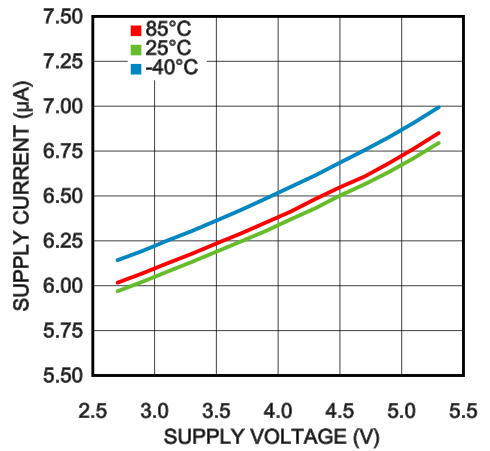
30132597

Supply current vs. temperature (Standby Mode)



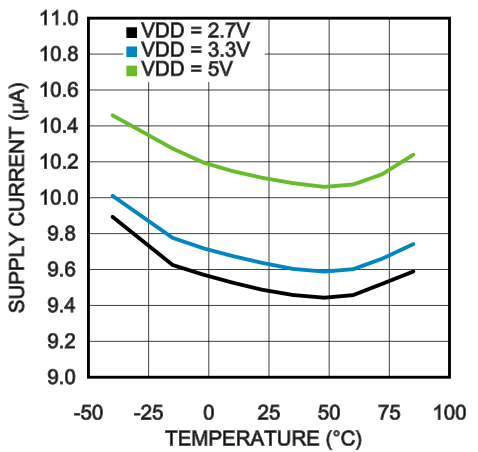
30132587

Supply current vs. VDD (Standby Mode)



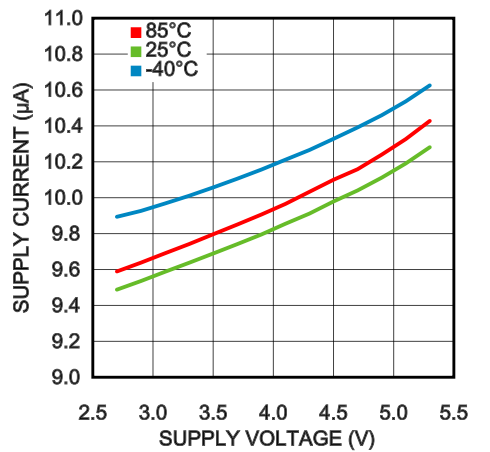
30132592

Supply current vs. temperature (3-lead amperometric Mode)



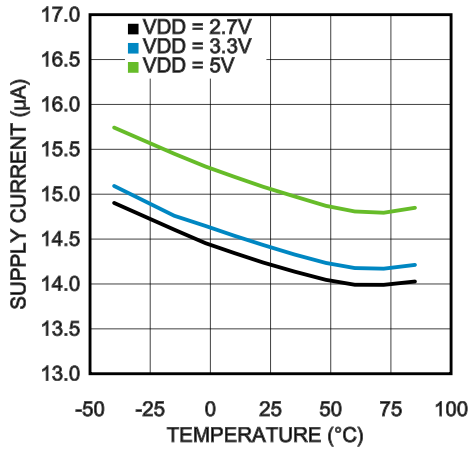
30132586

Supply current vs. VDD (3-lead amperometric Mode)



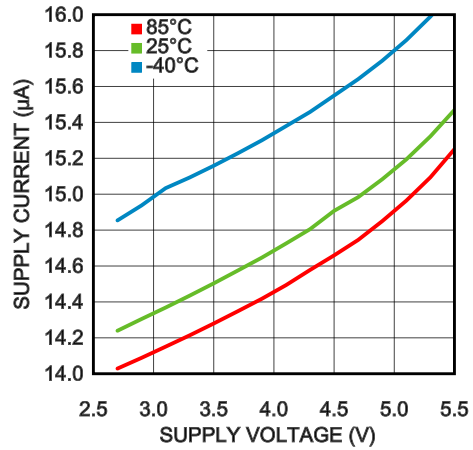
30132593

Supply current vs. temperature (Temp Measurement TIA ON)



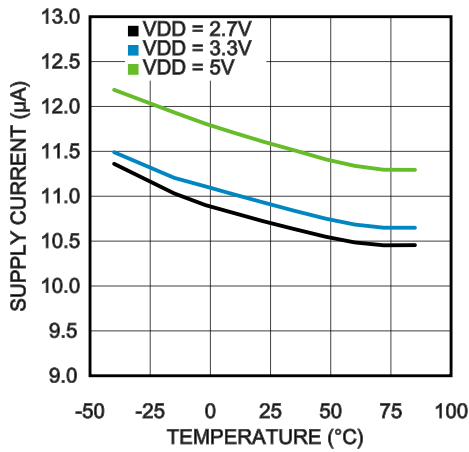
30132588

Supply current vs. VDD (Temp Measurement TIA ON)



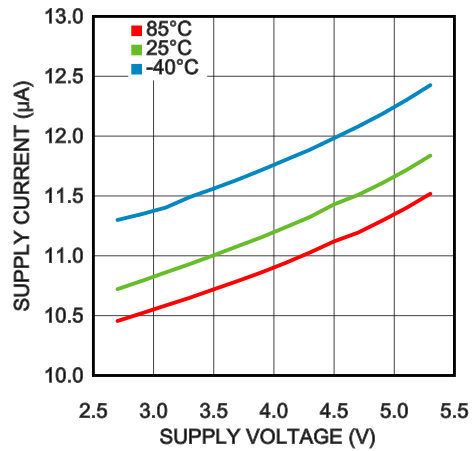
30132594

Supply current vs. temperature (Temp Measurement TIA OFF)



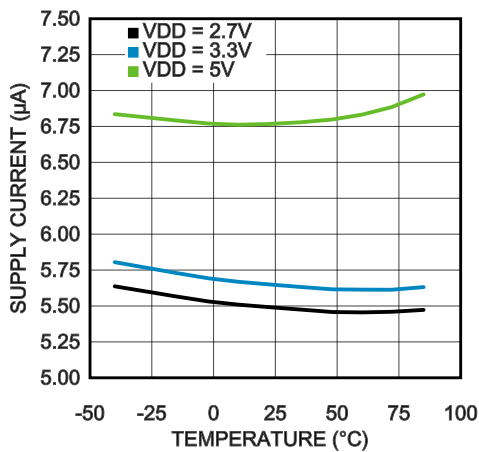
30132589

Supply current vs. VDD (Temp Measurement TIA OFF)



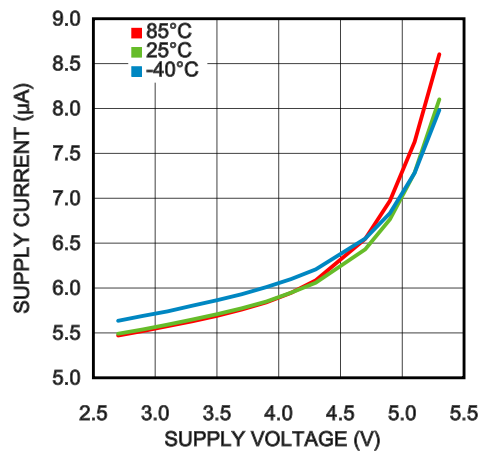
30132595

Supply current vs. temperature (2-lead ground referred amperometric Mode)



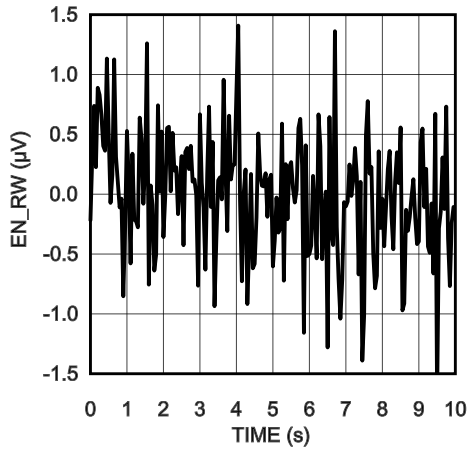
30132590

Supply current vs. VDD (2-lead ground referred amperometric Mode)



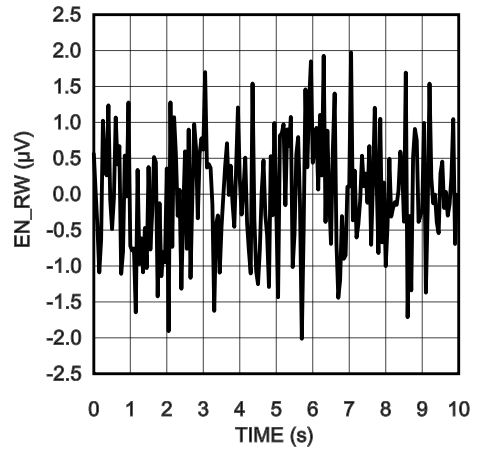
30132596

0.1Hz to 10Hz noise, 0V bias



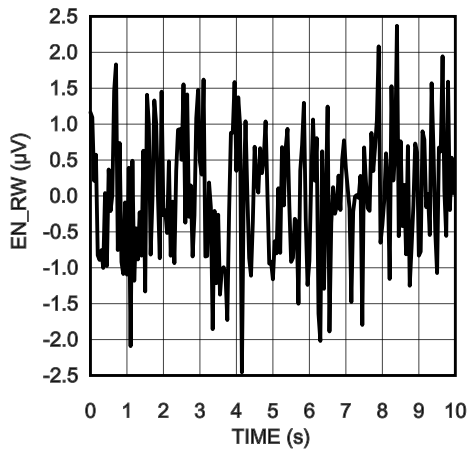
30132598

0.1Hz to 10Hz noise, 300mV bias



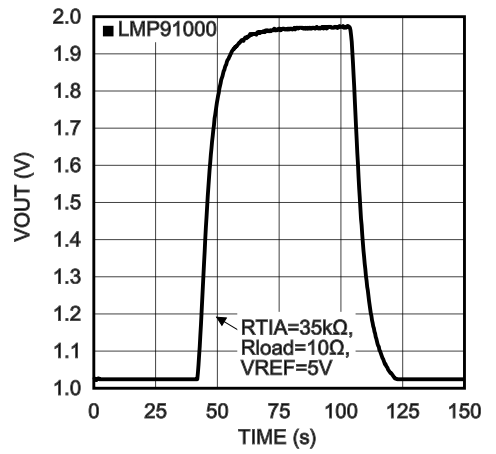
30132599

0.1Hz to 10Hz noise, 600mV bias



301325100

A VOUT step response 100 ppm to 400 ppm CO (CO gas sensor connected to LMP91000)



30132568

Function Description

GENERAL

The LMP91000 is a programmable AFE for use in micropower chemical sensing applications. The LMP91000 is designed for 3-lead single gas sensors and for 2-lead galvanic cell sensors. This device provides all of the functionality for detecting changes in gas concentration based on a delta current at the working electrode. The LMP91000 generates an output voltage proportional to the cell current. Transimpedance gain is user programmable through an I²C compatible interface from 2.75k Ω to 350k Ω making it easy to convert current ranges from 5 μ A to 750 μ A full scale. Optimized for micro-power applications, the LMP91000 AFE works over a voltage range of

2.7V to 5.25 V. The cell voltage is user selectable using the on board programmability. In addition, it is possible to connect an external transimpedance gain resistor. A temperature sensor is embedded and it can be power cycled through the interface. The output of this temperature sensor can be read by the user through the VOUT pin. It is also possible to have both temperature output and output of the TIA at the same time; the pin C2 is internally connected to the output of the transimpedance (TIA), while the temperature is available at the VOUT pin. Depending on the configuration, total current consumption for the device can be less than 10 μ A. For power savings, the transimpedance amplifier can be turned off and instead a load impedance equivalent to the TIA's inputs impedance is switched in.

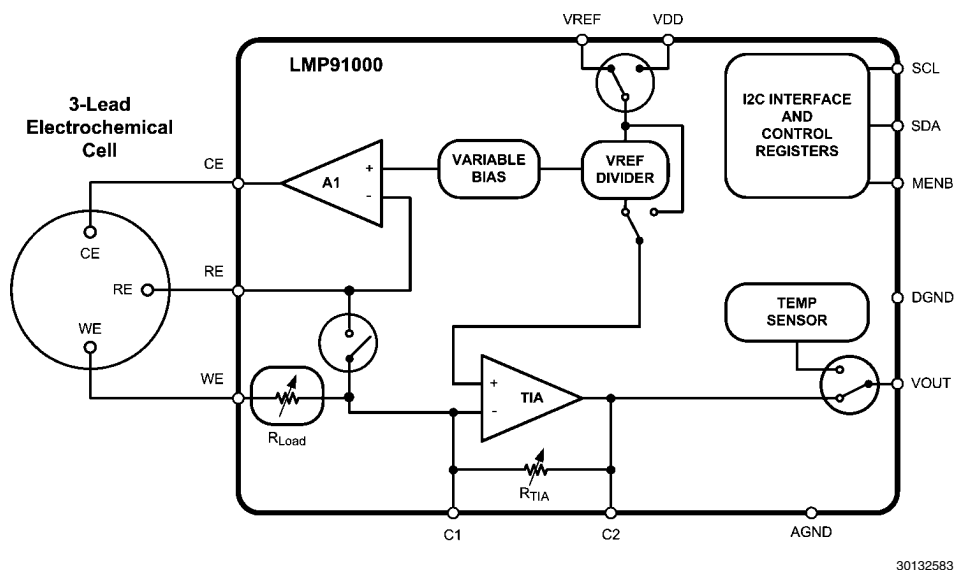


FIGURE 2. System Block Diagram

POTENTIOSTAT CIRCUITRY

The core of the LMP91000 is a potentiostat circuit. It consists of a differential input amplifier used to compare the potential between the working and reference electrodes to a required working bias potential (set by the **Variable Bias circuitry**). The error signal is amplified and applied to the counter electrode (through the **Control Amplifier - A1**). Any changes in the impedance between the working and reference electrodes will cause a change in the voltage applied to the counter electrode, in order to maintain the constant voltage between working and reference electrodes. A **Transimpedance Amplifier** connected to the working electrode, is used to provide an output voltage that is proportional to the cell current. The working electrode is held at virtual ground (**Internal ground**) by the transimpedance amplifier. The potentiostat will compare the reference voltage to the desired bias potential and adjust the voltage at the counter electrode to maintain the proper working-to-reference voltage.

Transimpedance amplifier

The transimpedance amplifier (TIA in [Figure 2](#)) has 7 programmable internal gain resistors. This accommodates the full scale ranges of most existing sensors. Moreover an external gain resistor can be connected to the LMP91000 between C1 and C2 pins. The gain is set through the I²C interface.

Control amplifier

The control amplifier (A1 op amp in [Figure 2](#)) has two tasks: a) providing initial charge to the sensor, b) providing a bias voltage to the sensor. A1 has the capability to drive up to 10-mA into the sensor in order to provide a fast initial conditioning. A1 is able to sink and source current according to the connected gas sensor (reducing or oxidizing gas sensor). It can be powered down to reduce system power consumption. However powering down A1 is not recommended, as it may take a long time for the sensor to recover from this situation.

Variable Bias

The Variable Bias block circuitry ([Figure 2](#)) provides the amount of bias voltage required by a biased gas sensor between its reference and working electrodes. The bias voltage can be programmed to be 1% to 24% (14 steps in total) of the supply, or of the external reference voltage. The 14 steps can be programmed through the I²C interface. The polarity of the bias can be also programmed.

Internal zero

The internal Zero is the voltage at the non-inverting pin of the TIA. The internal zero can be programmed to be either 67%, 50% or 20%, of the supply, or the external reference voltage. This provides both sufficient headroom for the counter electrode of the sensor to swing, in case of sudden changes in the gas concentration, and best use of the ADC's full scale input range.

The Internal zero is provided through an internal voltage divider (Vref divider box in [Figure 2](#)). The divider is programmed through the I²C interface.

Temperature sensor

The embedded temperature sensor can be switched off during gas concentration measurement to save power. The temperature measurement is triggered through the I²C interface. The temperature output is available at the VOUT pin until the configuration bit is reset. The output signal of the temperature sensor is a voltage, referred to the ground of the LMP91000 (AGND).

Temperature Sensor Transfer Table

Temperature (°C)	Output Voltage (mV)	Temperature (°C)	Output Voltage (mV)
-40	1875	23	1375
-39	1867	24	1367
-38	1860	25	1359
-37	1852	26	1351
-36	1844	27	1342
-35	1836	28	1334
-34	1828	29	1326
-33	1821	30	1318
-32	1813	31	1310
-31	1805	32	1302
-30	1797	33	1293
-29	1789	34	1285
-28	1782	35	1277
-27	1774	36	1269
-26	1766	37	1261
-25	1758	38	1253
-24	1750	39	1244
-23	1742	40	1236
-22	1734	41	1228
-21	1727	42	1220
-20	1719	43	1212
-19	1711	44	1203
-18	1703	45	1195
-17	1695	46	1187
-16	1687	47	1179
-15	1679	48	1170
-14	1671	49	1162
-13	1663	50	1154
-12	1656	51	1146
-11	1648	52	1137
-10	1640	53	1129
-9	1632	54	1121
-8	1624	55	1112
-7	1616	56	1104
-6	1608	57	1096
-5	1600	58	1087
-4	1592	59	1079
-3	1584	60	1071

-2	1576	61	1063
-1	1568	62	1054
0	1560	63	1046
1	1552	64	1038
2	1544	65	1029
3	1536	66	1021
4	1528	67	1012
5	1520	68	1004
6	1512	69	996
7	1504	70	987
8	1496	71	979
9	1488	72	971
10	1480	73	962
11	1472	74	954
12	1464	75	945
13	1456	76	937
14	1448	77	929
15	1440	78	920
16	1432	79	912
17	1424	80	903
18	1415	81	895
19	1407	82	886
20	1399	83	878
21	1391	84	870
22	1383	85	861

Although the temperature sensor is very linear, its response does have a slight downward parabolic shape. This shape is very accurately reflected in the temperature sensor Transfer Table. For a linear approximation, a line can easily be calculated over the desired temperature range from the Table using the two-point equation:

$$V - V_1 = ((V_2 - V_1) / (T_2 - T_1)) * (T - T_1)$$

Where V is in mV, T is in °C, T₁ and V₁ are the coordinates of the lowest temperature, T₂ and V₂ are the coordinates of the highest temperature.

For example, if we want to determine the equation of a line over a temperature range of 20°C to 50°C, we would proceed as follows:

$$V - 1399\text{mV} = ((1154\text{mV} - 1399\text{mV}) / (50^\circ\text{C} - 20^\circ\text{C})) * (T - 20^\circ\text{C})$$

$$V - 1399\text{mV} = -8.16\text{mV}/^\circ\text{C} * (T - 20^\circ\text{C})$$

$$V = (-8.16\text{mV}/^\circ\text{C}) * T + 1562.2\text{mV}$$

Using this method of linear approximation, the transfer function can be approximated for one or more temperature ranges of interest.

I²C INTERFACE

The I²C compatible interface operates in Standard mode (100kHz). Pull-up resistors or current sources are required on the SCL and SDA pins to pull them high when they are not being driven low. A logic zero is transmitted by driving the output low. A logic high is transmitted by releasing the output and allowing it to be pulled-up externally. The appropriate pull-up resistor values will depend upon the total bus capacitance and operating speed. The LMP91000 comes with a 7 bit bus fixed address: 1001 000.

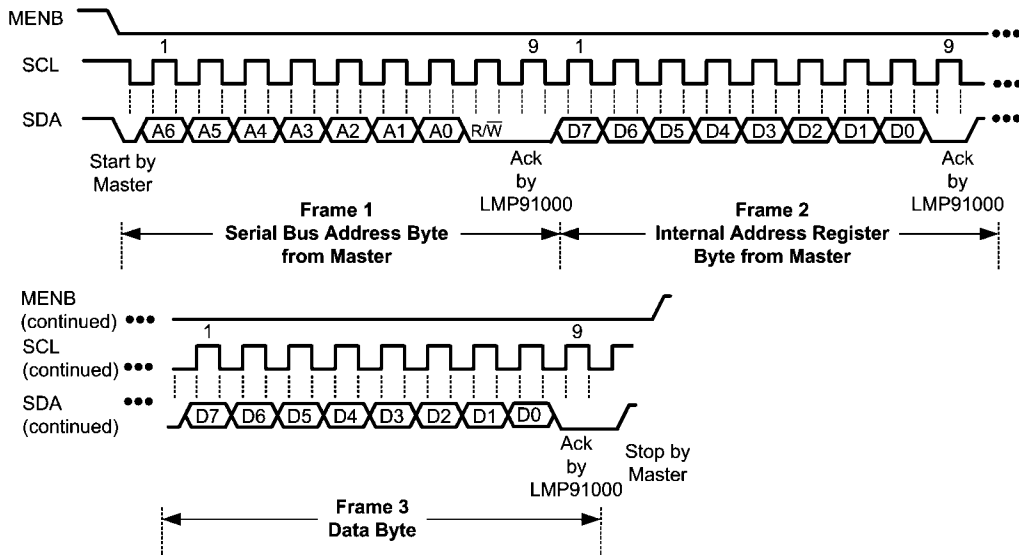
WRITE AND READ OPERATION

In order to start any read or write operation with the LMP91000, MENB needs to be set low during the whole communication. Then the master generates a start condition by driving SDA from high to low while SCL is high. The start condition is always followed by a 7-bit slave address and a Read/Write bit. After these 8 bits have been transmitted by the master, SDA is released by the master and the LMP91000 either ACKs or NACKs the address. If the slave address matches, the LMP91000 ACKs the master. If the address doesn't match, the LMP91000 NACKs the master. For a write operation, the master follows the ACK by sending the 8-bit register address pointer. Then the LMP91000 ACKs the transfer by driving SDA low. Next, the master sends the 8-bit data to the LMP91000. Then the LMP91000 ACKs the transfer by driving

SDA low. At this point the master should generate a stop condition and optionally set the MENB at logic high level (refer to [Figure 3](#)).

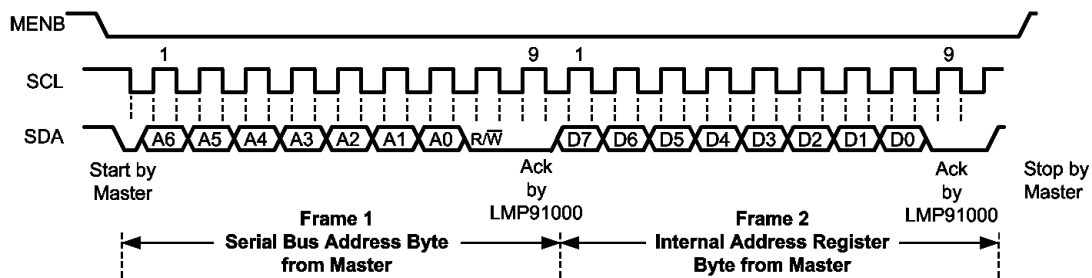
A read operation requires the LMP91000 address pointer to be set first, also in this case the master needs setting at low logic level the MENB, then the master needs to write to the device and set the address pointer before reading from the desired register. This type of read requires a start, the slave address, a write bit, the address pointer, a Repeated Start (if appropriate), the slave address, and a read bit (refer to [Figure 3](#)). Following this sequence, the LMP91000 sends out the 8-bit data of the register.

When just one LMP91000 is present on the I²C bus the MENB can be tied to ground (low logic level).



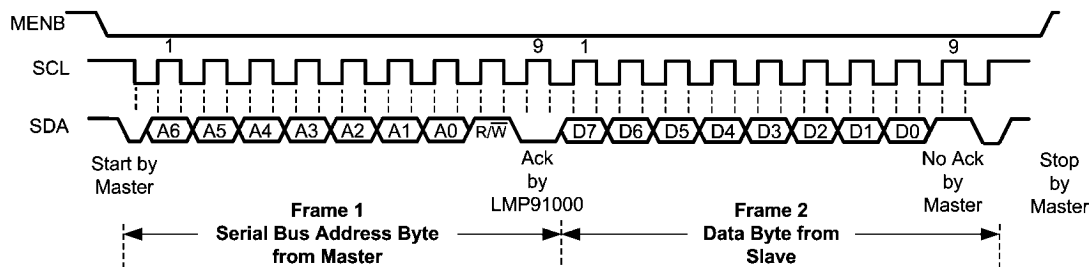
(a) Register write transaction

30132572



(b) Pointer set transaction

30132571



(c) Register read transaction

30132570

FIGURE 3. READ and WRITE transaction

TIMEOUT FEATURE

The timeout is a safety feature to avoid bus lockup situation. If SCL is stuck low for a time exceeding t_{timeout} , the LMP91000 will automatically reset its I²C interface. Also, in the case the LMP91000 hangs the SDA for a time exceeding

t_{timeout} , the LMP91000's I²C interface will be reset so that the SDA line will be released. Since the SDA is an open-drain with an external resistor pull-up, this also avoids high power consumption when LMP91000 is driving the bus and the SCL is stopped.

REGISTERS

The registers are used to configure the LMP91000.

If writing to a reserved bit, user must write only 0. Readback value is unspecified and should be discarded.

Register map

Address	Name	Power on default	Access	Lockable?
0x00	STATUS	0x00	Read only	N
0x01	LOCK	0x01	R/W	N
0x02 through 0x09	RESERVED			
0x10	TIACN	0x03	R/W	Y
0x11	REFCN	0x20	R/W	Y
0x12	MODECN	0x00	R/W	N
0x13 through 0xFF	RESERVED			

STATUS -- Status Register (address 0x00)

The status bit is an indication of the LMP91000's power-on status. If its readback is "0", the LMP91000 is not ready to accept other I²C commands.

Bit	Name	Function
[7:1]	RESERVED	
0	STATUS	Status of Device 0 Not Ready (default) 1 Ready

LOCK -- Protection Register (address 0x01)

The lock bit enables and disables the writing of the TIACN and the REFCN registers. In order to change the content of the TIACN and the REFCN registers the lock bit needs to be set to "0".

Bit	Name	Function
[7:1]	RESERVED	
0	LOCK	Write protection 0 Registers 0x10, 0x11 in write mode 1 Registers 0x10, 0x11 in read only mode (default)

TIACN -- TIA Control Register (address 0x10)

The parameters in the TIA control register allow the configuration of the transimpedance gain (R_{TIA}) and the load resistance (R_{Load}).

Bit	Name	Function
[7:5]	RESERVED	RESERVED
[4:2]	TIA_GAIN	TIA feedback resistance selection 000 External resistance (default) 001 2.75k Ω 010 3.5k Ω 011 7k Ω 100 14k Ω 101 35k Ω 110 120k Ω 111 350k Ω
[1:0]	RLOAD	R_{Load} selection 00 10 Ω 01 33 Ω 10 50 Ω 11 100Ω (default)

REFCN -- Reference Control Register (address 0x11)

The parameters in the Reference control register allow the configuration of the Internal zero, Bias and Reference source. When the Reference source is external, the reference is provided by a reference voltage connected to the VREF pin. In this condition the Internal Zero and the Bias voltage are defined as a percentage of VREF voltage instead of the supply voltage.

Bit	Name	Function
7	REF_SOURCE	Reference voltage source selection 0 Internal (default) 1 external
[6:5]	INT_Z	Internal zero selection (Percentage of the source reference) 00 20% 01 50% (default) 10 67% 11 Internal zero circuitry bypassed (only in O ₂ ground referred measurement)
4	BIAS_SIGN	Selection of the Bias polarity 0 Negative ($V_{WE} - V_{RE}$) < 0V (default) 1 Positive ($V_{WE} - V_{RE}$) > 0V
[3:0]	BIAS	BIAS selection (Percentage of the source reference) 0000 0% (default) 0001 1% 0010 2% 0011 4% 0100 6% 0101 8% 0110 10% 0111 12% 1000 14% 1001 16% 1010 18% 1011 20% 1100 22% 1101 24%

MODECN -- Mode Control Register (address 0x12)

The Parameters in the Mode register allow the configuration of the Operation Mode of the LMP91000.

Bit	Name	Function
7	FET_SHORT	Shorting FET feature 0 Disabled (default) 1 Enabled
[6:3]	RESERVED	
[2:0]	OP_MODE	Mode of Operation selection 000 Deep Sleep (default) 001 2-lead ground referred galvanic cell 010 Standby 011 3-lead amperometric cell 110 Temperature measurement (TIA OFF) 111 Temperature measurement (TIA ON)

When the LMP91000 is in Temperature measurement (TIA ON) mode, the output of the temperature sensor is present at the VOUT pin, while the output of the potentiostat circuit is available at pin C2.

GAS SENSOR INTERFACE

The LMP91000 supports both 3-lead and 2-lead gas sensors. Most of the toxic gas sensors are amperometric cells with 3 leads (Counter, Worker and Reference). These leads should be connected to the LMP91000 in the potentiostat topology. The 2-lead gas sensor (known as galvanic cell) should be connected as simple buffer either referred to the ground of the system or referred to a reference voltage. The LMP91000 support both connections for 2-lead gas sensor.

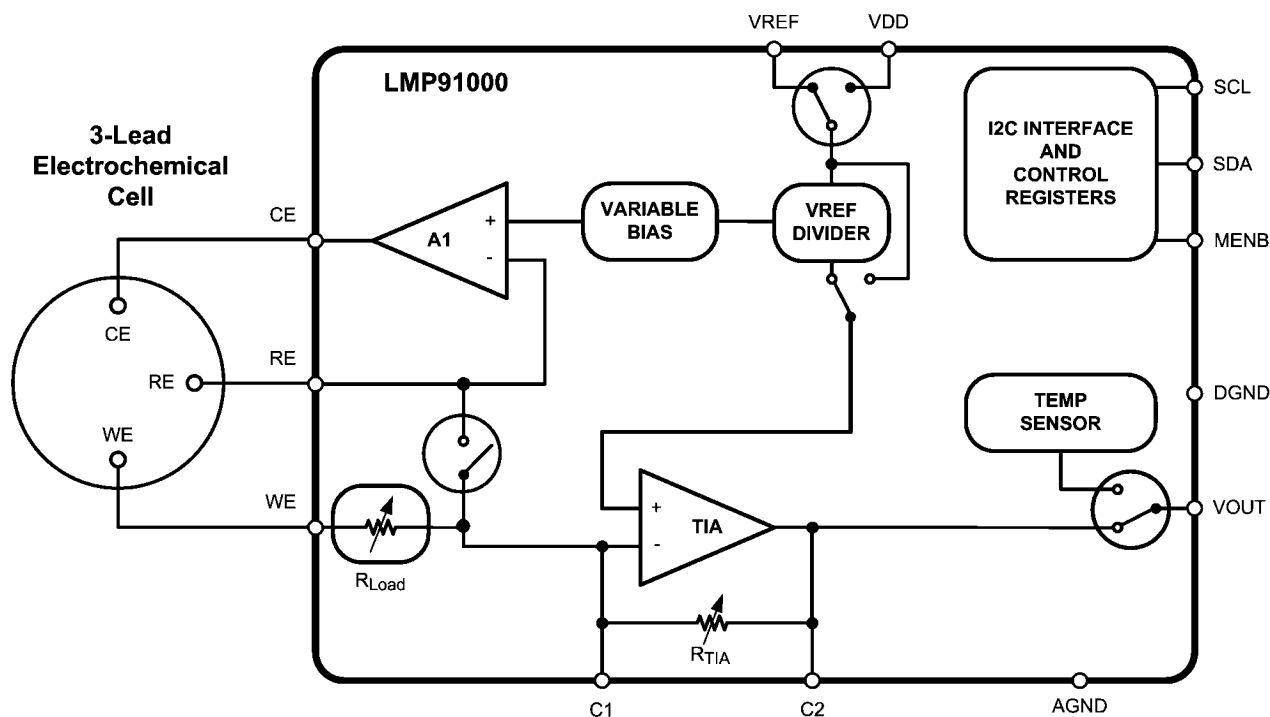
3-lead Amperometric Cell In Potentiostat Configuration

Most of the amperometric cell have 3 leads (Counter, Reference and Working electrodes). The interface of the 3-lead gas sensor to the LMP91000 is straightforward, the leads of the gas sensor need to be connected to the namesake pins of the LMP91000.

The LMP91000 is then configured in 3-lead amperometric cell mode; in this configuration the Control Amplifier (A1) is ON and provides the internal zero voltage and bias in case of bi-ased gas sensor. The transimpedance amplifier (TIA) is ON, it converts the current generated by the gas sensor in a voltage, according to the transimpedance gain:

$$\text{Gain} = R_{\text{TIA}}$$

If different gains are required, an external resistor can be connected between the pins C1 and C2. In this case the internal feedback resistor should be programmed to "external". The R_{Load} together with the output capacitance of the gas sensor acts as a low pass filter.



30132583

FIGURE 4. 3-Lead Amperometric Cell

2-lead Galvanic Cell In Ground Referred Configuration

When the LMP91000 is interfaced to a galvanic cell (for instance to an Oxygen gas sensor) referred to the ground of the system, an external resistor needs to be placed in parallel to the gas sensor; the negative electrode of the gas sensor is connected to the ground of the system and the positive electrode to the Vref pin of the LMP91000, the working pin of the LMP91000 is connected to the ground.

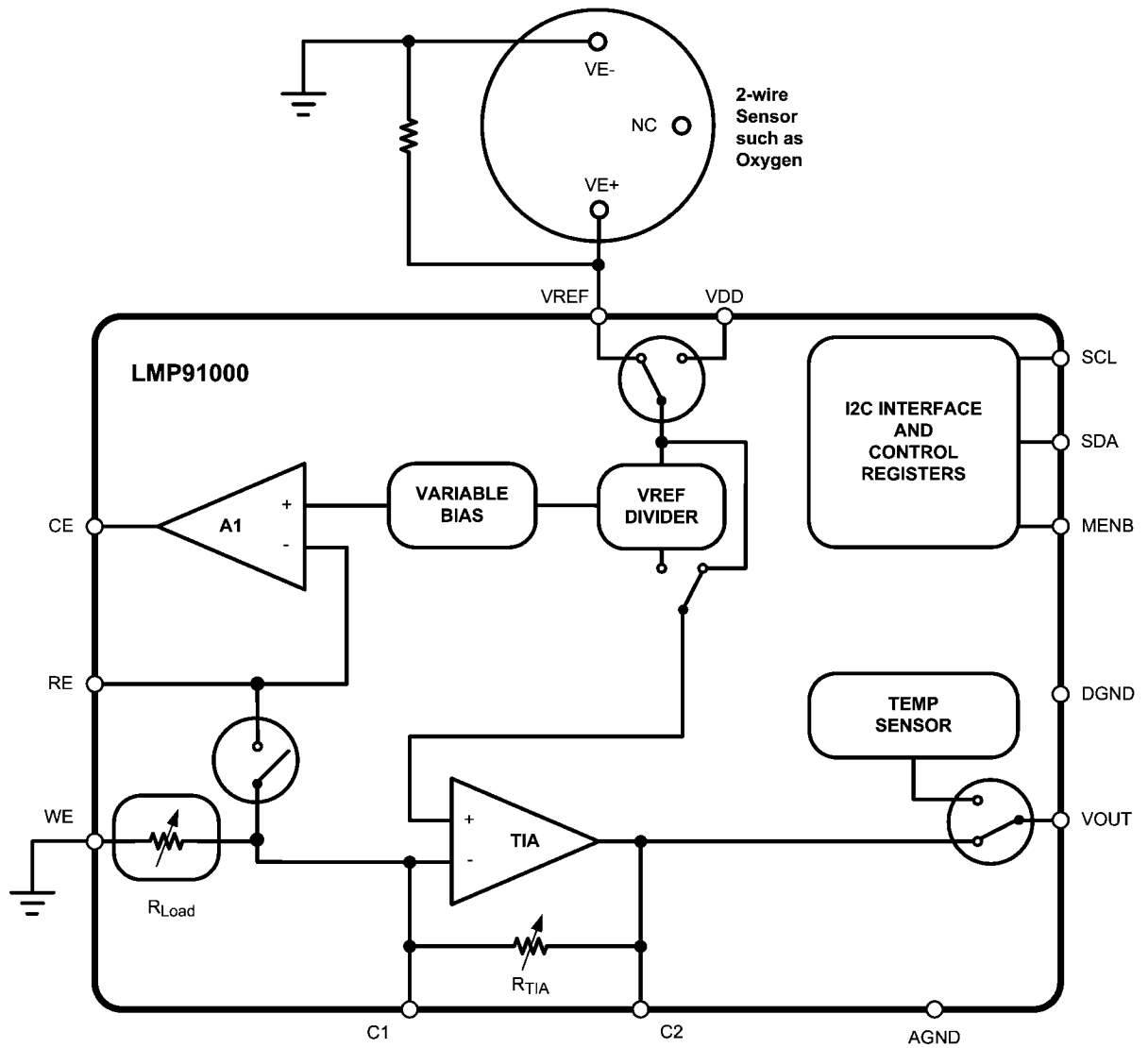
The LMP91000 is then configured in 2-lead galvanic cell mode and the Vref bypass feature needs to be enabled. In

this configuration the Control Amplifier (A1) is turned off, and the output of the gas sensor is amplified by the Transimpedance Amplifier (TIA) which is configured as a simple non-inverting amplifier.

The gain of this non inverting amplifier is set according the following formula

$$\text{Gain} = 1 + (R_{TIA} / R_{Load})$$

If different gains are required, an external resistor can be connected between the pins C1 and C2. In this case the internal feedback resistor should be programmed to "external".



30132575

FIGURE 5. 2-Lead Galvanic Cell Ground Referred

2-lead Galvanic Cell In Potentiostat Configuration

When the LMP91000 is interfaced to a galvanic cell (for instance to an Oxygen gas sensor) referred to a reference, the Counter and the Reference pin of the LMP91000 are shorted together and connected to negative electrode of the galvanic cell. The positive electrode of the galvanic cell is then connected to the Working pin of the LMP91000.

The LMP91000 is then configured in 3-lead amperometric cell mode (as for amperometric cell). In this configuration the

Control Amplifier (A1) is ON and provides the internal zero voltage. The transimpedance amplifier (TIA) is also ON, it converts the current generated by the gas sensor in a voltage, according to the transimpedance gain:

$$\text{Gain} = R_{TIA}$$

If different gains are required, an external resistor can be connected between the pins C1 and C2. In this case the internal feedback resistor should be programmed to "external".

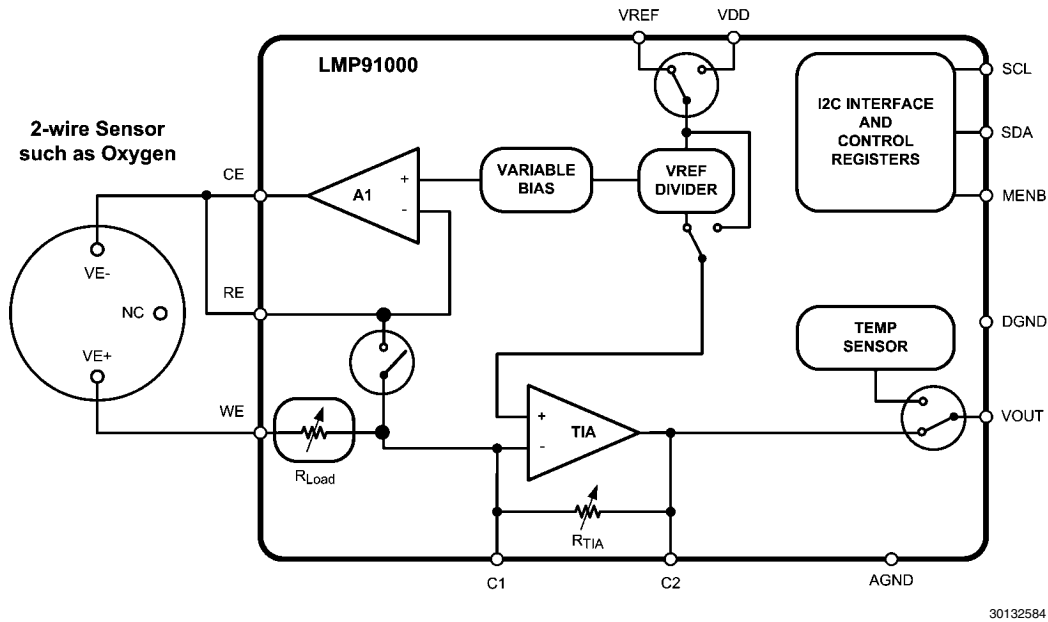


FIGURE 6. 2-Lead Galvanic Cell In Potentiostat Configuration

Application Information

CONNECTION OF MORE THAN ONE LMP91000 TO THE I²C BUS

The LMP91000 comes out with a unique and fixed I²C slave address. It is still possible to connect more than one LMP91000 to an I²C bus and select each device using the MENB pin. The MENB simply enables/disables the I²C communication of the LMP91000. When the MENB is at logic level low all the I²C communication is enabled, it is disabled when MENB is at high logic level.

In a system based on a μ controller and more than one LMP91000 connected to the I²C bus, the I²C lines (SDA and

SCL) are shared, while the MENB of each LMP91000 is connected to a dedicate GPIO port of the μ controller.

The μ controller starts communication asserting one out of N MENB signals where N is the total number of LMP91000s connected to the I²C bus. Only the enabled device will acknowledge the I²C commands. After finishing communicating with this particular LMP91000, the microcontroller de-asserts the corresponding MENB and repeats the procedure for other LMP91000s. *Figure 7* shows the typical connection when more than one LMP91000 is connected to the I²C bus.

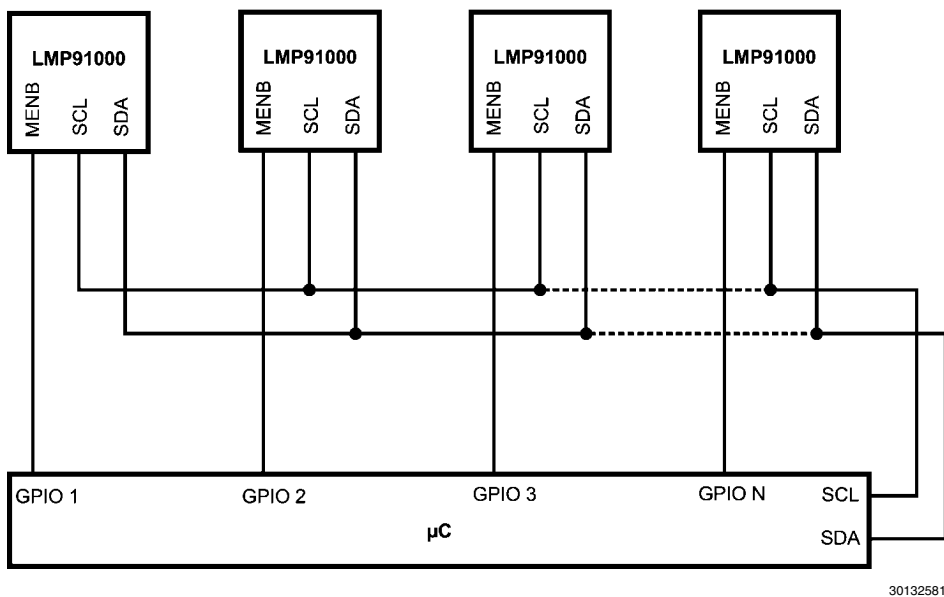


FIGURE 7. More than one LMP91000 on I²C bus

SMART GAS SENSOR ANALOG FRONT END

The LMP91000 together with an external EEPROM represents the core of a SMART GAS SENSOR AFE. In the EEPROM it is possible to store the information related to the GAS sensor type, calibration and LMP91000's configuration (content of registers 10h, 11h, 12h). At startup the microcontroller reads the EEPROM's content and configures the LMP91000. A typical smart gas sensor AFE is shown in *Figure 8*. The connection of MENB to the hardware address pin A0 of the EEPROM allows the microcontroller to select the LMP91000 and its corresponding EEPROM when more than one smart gas sensor AFE is present on the I²C bus. Note: only EEPROM I²C addresses with A0=0 should be used in this configuration.

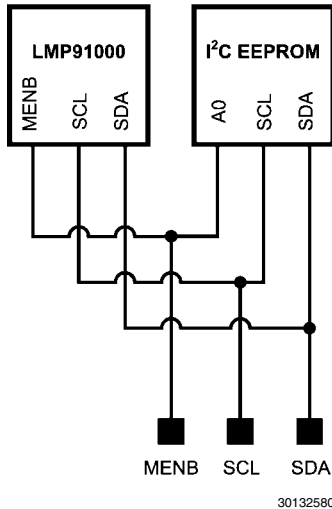


FIGURE 8. SMART GAS SENSOR AFE

SMART GAS SENSOR AFES ON I²C BUS

The connection of Smart gas sensor AFEs on the I²C bus is the natural extension of the previous concepts. Also in this case the microcontroller starts communication asserting 1 out of N MENB signals where N is the total number of smart gas sensor AFE connected to the I²C bus. Only one of the devices (either LMP91000 or its corresponding EEPROM) in the smart gas sensor AFE enabled will acknowledge the I²C commands. When the communication with this particular module ends, the microcontroller de-asserts the corresponding MENB and repeats the procedure for other modules. *Figure 9* shows the typical connection when several smart gas sensor AFEs are connected to the I²C bus.

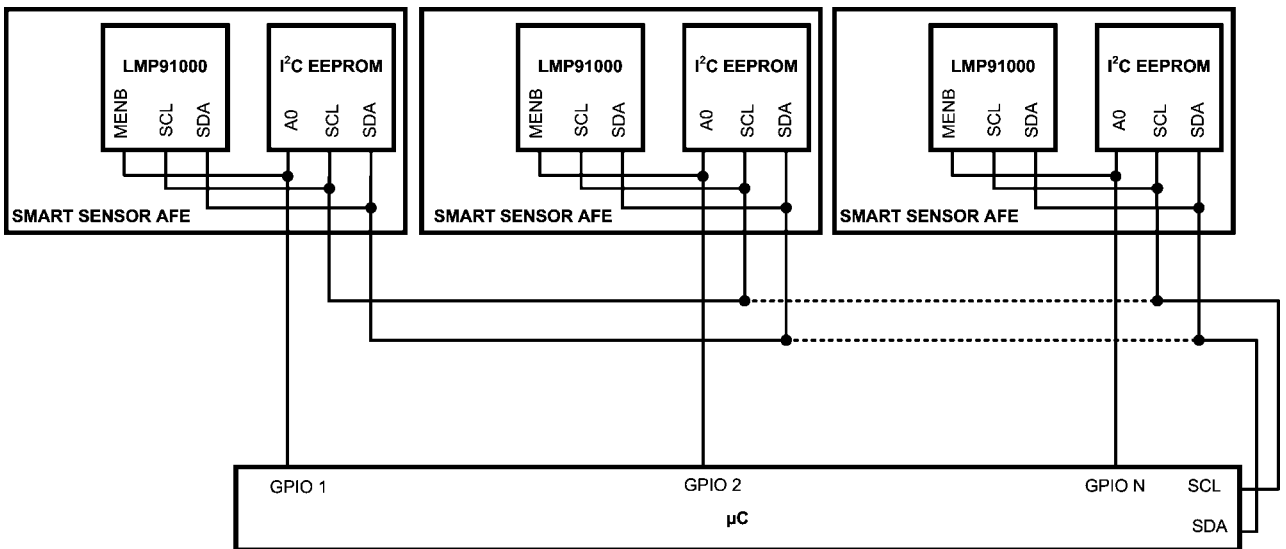


FIGURE 9. SMART GAS SENSOR AFES on I²C bus

30132582

POWER CONSUMPTION

The LMP91000 is intended for use in portable devices, so the power consumption is as low as possible in order to guarantee a long battery life. The total power consumption for the LMP91000 is below 10µA @ 3.3v average over time, (this excludes any current drawn from any pin). A typical usage of the LMP91000 is in a portable gas detector and its power consumption is summarized in the *Power Consumption Scenario* table. This has the following assumptions:

-Power On only happens a few times over life, so its power consumption can be ignored

-Deep Sleep mode is not used

-The system is used about 8 hours a day, and 16 hours a day it is in Standby mode.

-Temperature Measurement is done about once per minute

This results in an average power consumption of approximately 7.95 µA. This can potentially be further reduced, by using the Standby mode between gas measurements. It may even be possible, depending on the sensor used, to go into deep sleep for some time between measurements, further reducing the average power consumption.

Power Consumption Scenario

	Deep Sleep	StandBy	3-Lead Amperometric Cell	Temperature Measurement TIA OFF	Temperature Measurement TIA ON	Total
Current consumption (µA) typical value	0.6	6.5	10	11.4	14.9	
Time ON (%)	0	60	39	0	1	
Average (µA)	0	3.9	3.9	0	0.15	7.95
Notes						
A1	OFF	ON	ON	ON	ON	
TIA	OFF	OFF	ON	OFF	ON	
TEMP SENSOR	OFF	OFF	OFF	ON	ON	
I ² C interface	ON	ON	ON	ON	ON	

SENSOR TEST PROCEDURE

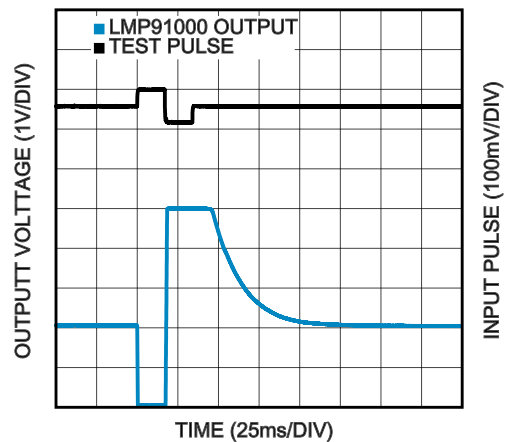
The LMP91000 has all the hardware and programmability features to implement some test procedures. The purpose of the test procedure is to:

- a) test proper function of the sensor (status of health)
- b) test proper connection of the sensor to the LMP91000

The test procedure is very easy. The variable bias block is user programmable through the digital interface. A step voltage can be applied by the end user to the positive input of A1. As a consequence a transient current will start flowing into the sensor (to charge its internal capacitance) and it will be detected by the TIA. If the current transient is not detected, either a sensor fault or a connection problem is present. The slope and the aspect of the transient response can also be used to detect sensor aging (for example, a cell that is drying and no longer efficiently conducts the current). After it is verified that the sensor is working properly, the LMP91000 needs to be reset to its original configuration. It is not required to observe the full transient in order to contain the testing time. All the needed information are included in the transient slopes (both edges). *Figure 10* shows an example of the test procedure, a Carbon Monoxide sensor is connected to the LMP91000, two pulses are then sequentially applied to the bias voltage:

- first step: from 0mV to 40mV
- second step : from 40mV to -40mV

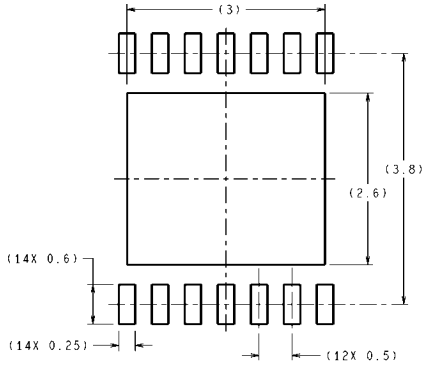
and finally the bias is set again at 0mV since this is the normal operation condition for this sensor.



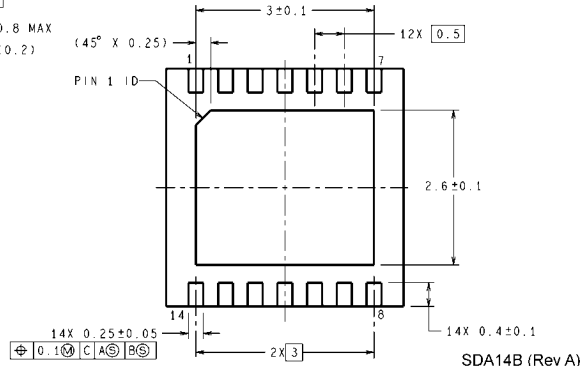
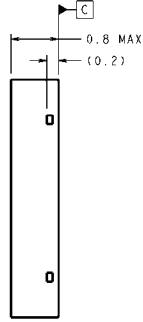
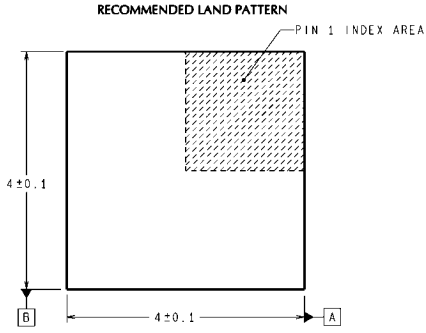
30132561

FIGURE 10. TEST PROCEDURE EXAMPLE

Physical Dimensions inches (millimeters) unless otherwise noted



DIMENSIONS ARE IN MILLIMETERS
DIMENSIONS IN () FOR REFERENCE ONLY



NS Package Number SDA14B

SDA14B (Rev A)

Notes

LMP91000

Notes

IMPORTANT NOTICE

Texas Instruments Incorporated and its subsidiaries (TI) reserve the right to make corrections, modifications, enhancements, improvements, and other changes to its products and services at any time and to discontinue any product or service without notice. Customers should obtain the latest relevant information before placing orders and should verify that such information is current and complete. All products are sold subject to TI's terms and conditions of sale supplied at the time of order acknowledgment.

TI warrants performance of its hardware products to the specifications applicable at the time of sale in accordance with TI's standard warranty. Testing and other quality control techniques are used to the extent TI deems necessary to support this warranty. Except where mandated by government requirements, testing of all parameters of each product is not necessarily performed.

TI assumes no liability for applications assistance or customer product design. Customers are responsible for their products and applications using TI components. To minimize the risks associated with customer products and applications, customers should provide adequate design and operating safeguards.

TI does not warrant or represent that any license, either express or implied, is granted under any TI patent right, copyright, mask work right, or other TI intellectual property right relating to any combination, machine, or process in which TI products or services are used. Information published by TI regarding third-party products or services does not constitute a license from TI to use such products or services or a warranty or endorsement thereof. Use of such information may require a license from a third party under the patents or other intellectual property of the third party, or a license from TI under the patents or other intellectual property of TI.

Reproduction of TI information in TI data books or data sheets is permissible only if reproduction is without alteration and is accompanied by all associated warranties, conditions, limitations, and notices. Reproduction of this information with alteration is an unfair and deceptive business practice. TI is not responsible or liable for such altered documentation. Information of third parties may be subject to additional restrictions.

Resale of TI products or services with statements different from or beyond the parameters stated by TI for that product or service voids all express and any implied warranties for the associated TI product or service and is an unfair and deceptive business practice. TI is not responsible or liable for any such statements.

TI products are not authorized for use in safety-critical applications (such as life support) where a failure of the TI product would reasonably be expected to cause severe personal injury or death, unless officers of the parties have executed an agreement specifically governing such use. Buyers represent that they have all necessary expertise in the safety and regulatory ramifications of their applications, and acknowledge and agree that they are solely responsible for all legal, regulatory and safety-related requirements concerning their products and any use of TI products in such safety-critical applications, notwithstanding any applications-related information or support that may be provided by TI. Further, Buyers must fully indemnify TI and its representatives against any damages arising out of the use of TI products in such safety-critical applications.

TI products are neither designed nor intended for use in military/aerospace applications or environments unless the TI products are specifically designated by TI as military-grade or "enhanced plastic." Only products designated by TI as military-grade meet military specifications. Buyers acknowledge and agree that any such use of TI products which TI has not designated as military-grade is solely at the Buyer's risk, and that they are solely responsible for compliance with all legal and regulatory requirements in connection with such use.

TI products are neither designed nor intended for use in automotive applications or environments unless the specific TI products are designated by TI as compliant with ISO/TS 16949 requirements. Buyers acknowledge and agree that, if they use any non-designated products in automotive applications, TI will not be responsible for any failure to meet such requirements.

Following are URLs where you can obtain information on other Texas Instruments products and application solutions:

Products

Audio	www.ti.com/audio
Amplifiers	amplifier.ti.com
Data Converters	dataconverter.ti.com
DLP® Products	www.dlp.com
DSP	dsp.ti.com
Clocks and Timers	www.ti.com/clocks
Interface	interface.ti.com
Logic	logic.ti.com
Power Mgmt	power.ti.com
Microcontrollers	microcontroller.ti.com
RFID	www.ti-rfid.com
OMAP Mobile Processors	www.ti.com/omap
Wireless Connectivity	www.ti.com/wirelessconnectivity

Applications

Automotive and Transportation	www.ti.com/automotive
Communications and Telecom	www.ti.com/communications
Computers and Peripherals	www.ti.com/computers
Consumer Electronics	www.ti.com/consumer-apps
Energy and Lighting	www.ti.com/energy
Industrial	www.ti.com/industrial
Medical	www.ti.com/medical
Security	www.ti.com/security
Space, Avionics and Defense	www.ti.com/space-avionics-defense
Video and Imaging	www.ti.com/video

TI E2E Community Home Page

e2e.ti.com

Mailing Address: Texas Instruments, Post Office Box 655303, Dallas, Texas 75265
Copyright © 2012, Texas Instruments Incorporated