

151-002 • M55116/5 – /8
U-182 • MIL-DTL-55116 Type Audio Plugs
 Molded Strain Relief for Overmolding

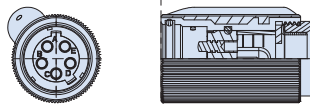


MIL-DTL-55116 Type
 Audio Connectors

MIL-DTL-55116 type molded audio plug



These Series 151 MIL-DTL-55116 Type molded audio plugs are designed for overmolding in cable cordsets for high-reliability, severe environment radio communications equipment, and are not field-serviceable. They are available in 5 pin and 6 pin configurations, with crimp sleeve or solder cup pogo pin terminals. Shells are made of passivated stainless steel, contacts are gold plated copper alloy. Plug connector contacts are sealed in the unmated condition.



**U-182 Plug,
 5 Crimp Contacts**



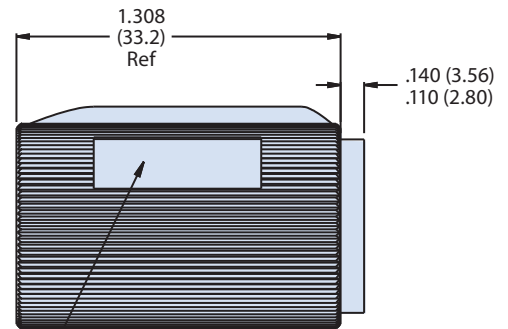
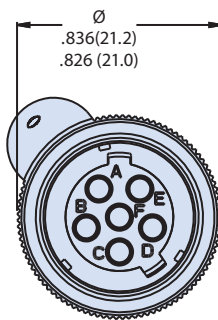
**U-182 Plug,
 6 Crimp Contacts**



**U-182 Plug,
 5 Solder Cup
 Contacts**



**U-182 Plug,
 6 Solder Cup
 Contacts**



Flat In Knurl

No. of Contacts	Contact Type	Ø Cable ± .010	MIL SPEC Part Number	Glenair Part Number	Mates With
5	Crimp	.165	M55116/5-1	151-002-1-1	151-003-1 151-004-1 151-004-3
		.228	M55116/5-2	151-002-1-2	
		.250	M55116/5-3	151-002-1-3	
		.290	M55116/5-4	151-002-1-4	
		.320	M55116/5-5	151-002-1-5	
6	Crimp	.165	M55116/6-1	151-002-2-1	151-003-2 151-004-2 151-004-4
		.228	M55116/6-2	151-002-2-2	
		.250	M55116/6-3	151-002-2-3	
		.290	M55116/6-4	151-002-2-4	
		.320	M55116/6-5	151-002-2-5	
5	Solder Cup	.165	M55116/7-1	151-002-3-1	151-003-1 151-004-1 151-004-3
		.228	M55116/7-2	151-002-3-2	
		.250	M55116/7-3	151-002-3-3	
		.290	M55116/7-4	151-002-3-4	
		.320	M55116/7-5	151-002-3-5	
6	Solder Cup	.165	M55116/8-1	151-002-4-1	151-003-2 151-004-2 151-004-4
		.228	M55116/8-2	151-002-4-2	
		.250	M55116/8-3	151-002-4-3	
		.290	M55116/8-4	151-002-4-4	
		.320	M55116/8-5	151-002-4-5	