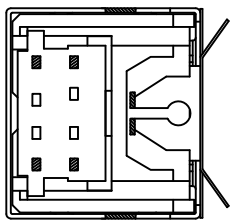
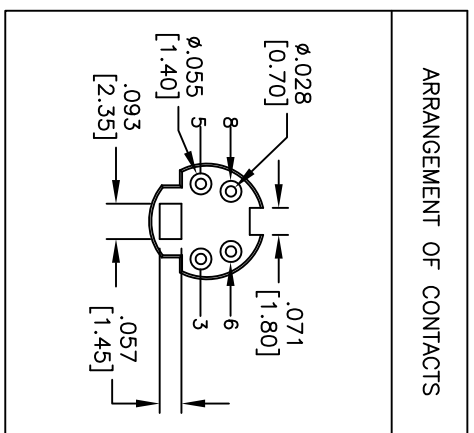
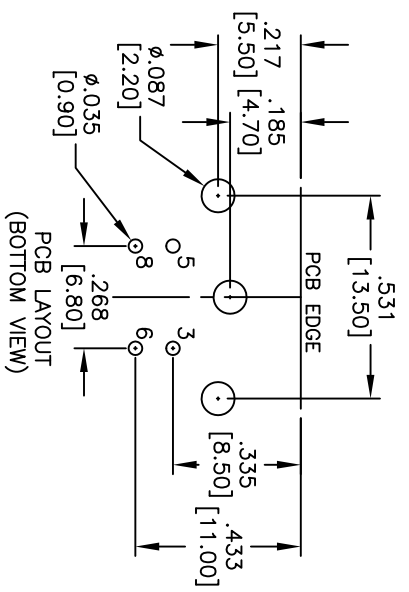
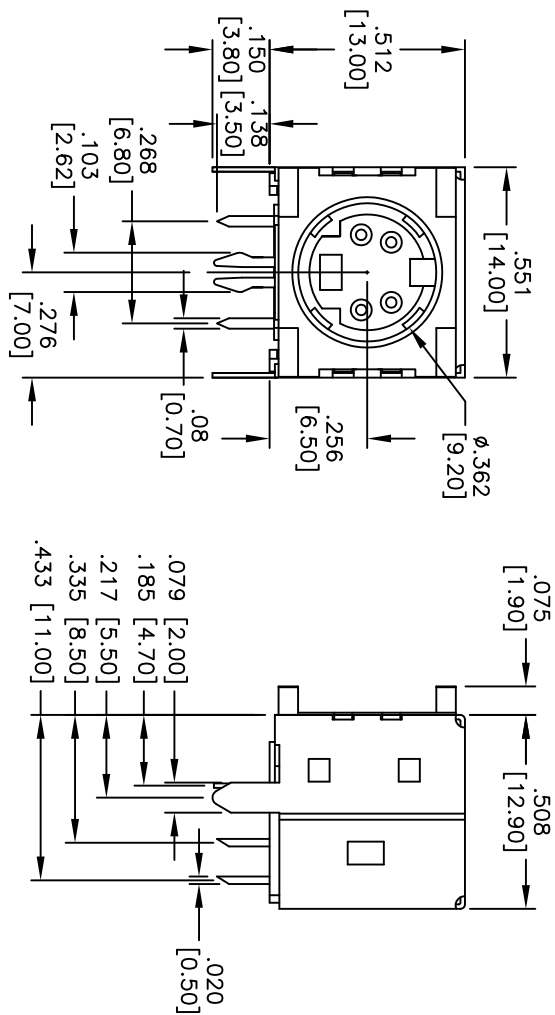


Rev	AWO #	Description	Date	Appr
-		RELEASED	9/08/10	

APPROVED: _____ TITLE: _____
 DATE: _____



SPECIFICATIONS:

- Material: Insulator: PBT, glass reinforced, rated UL 94V-0
- Insulator color: Black
- Contacts: Phosphor Bronze
- Shield: Copper Alloy, Tin plated
- Plating: Gold over Nickel underplate on contact area, Tin over Copper underplate on tails.
- Electrical: Rated Voltage and Current: DC12V, 2A max; AC100V, 1A max.
- Contact resistance: 30 mohms max. initial
- Insulation resistance: 100 Mohms min. @ 500V DC
- Dielectric withstanding voltage: 250 VAC for 1 minute
- Environmental: Lead free, RoHS compliant.
- Recommended soldering temp: 235°C for 5 sec.

UNLESS OTHERWISE SPECIFIED ALL DIMENSIONS ARE INCHES [MM] TOLERANCES: EXCEPT AS NOTED	
INCHES	HOLES
X ± .10	ØX ± .10
.XX ± .020	ØXX ± .015
XXX ± .015	ØXXX ± .010
APPROVALS	DATE
DRAWN DY	9/08/10
CHECKED	
APPROVED	

ADAM TECH
 909 Rahway Avenue, Union, NJ 07083
 Phone: 908-687-5000 Fax: 908-687-5710

TITLE: MINI DIN JACK, RIGHT ANGLE, FULL SHIELD
 W/ PANEL GROUND TABS

SIZE: X PART NO. MDJ-004-FS-PG4

REF: S00095T SCALE: NTS SHEET 1 OF 1