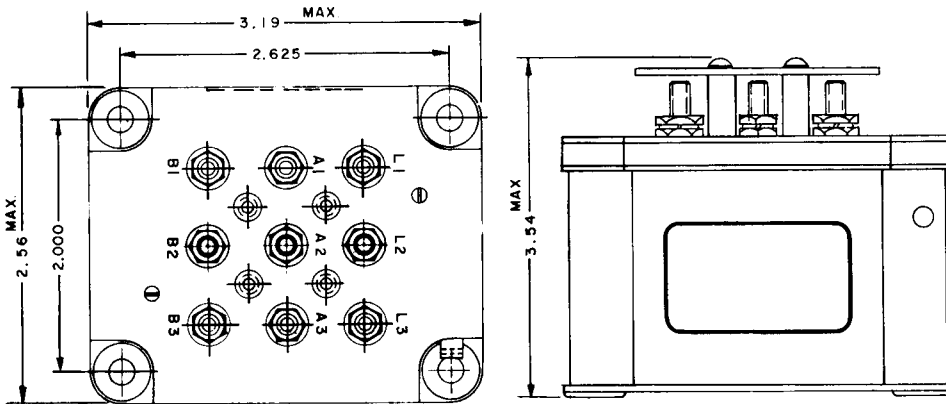


E-312A-I 2PDT, 10 Amps, 440 VAC

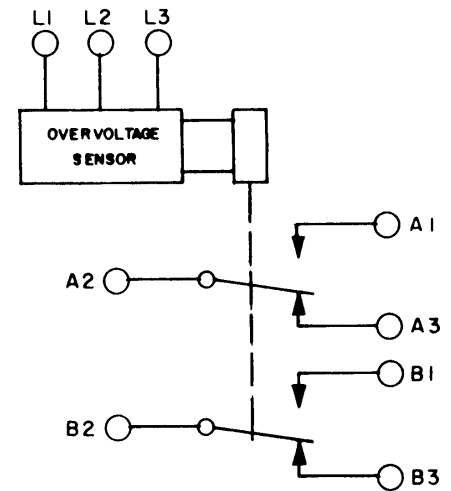
Features:

- 2PDT Main Contacts
- Hermetically Sealed
- Three Phase Voltage Sensor
- 440 VAC, 400 Hz, 3Ø Operation
- 10 Amps
- High Reliability
- Meets many requirements of MIL-R-6106



Dimensions for this product are expressed in inches. Multiply values by 25.4 for millimeters.

CONTACTOR CONFIGURATION



Notes:

PRODUCT SPECIFICATIONS	
Input Voltage	440, 400 Hz
Trip Voltage	480 ±2% VAC (3 Ø Average) at 25°C
Reset Voltage	0 Volts Input
Time Delay 5V Above Trip	0.5 to 1.5 Second
Time Delay at 500 VAC	.6 ±.15 Second
Contacts	2PDT, Hermetically Sealed 10 Amps Resistive at 28 VDC 10 Amps Resistive at 115 VAC 0.1 Amp Inductive at 115 VDC with Transient of 0.75 Amp for 60 M Second
Temperature	0°C to 65°C
Weight	15 Oz.

For factory-direct application assistance, contact the HARTMAN product team at (419) 521-9500, Fax (419) 526-2749.

© 2004 by Tyco Electronics Corporation. All Rights Reserved. HARTMAN and TYCO are trademarks.