

Module carrier frame - HC-M-B10-MFH-H

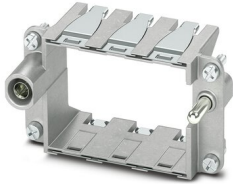


1182089

<https://www.phoenixcontact.com/us/products/1182089>

Please be informed that the data shown in this PDF document is generated from our Online Catalog. Please find the complete data in the user documentation. Our General Terms of Use for Downloads are valid.

Module carrier frame, size: B10, type : for the sleeve side (A, B, C, ...), 4 mm² ... 6 mm²,
application: Module carrier frame



Module carrier frame - HC-M-B10-MFH-H



1182089

<https://www.phoenixcontact.com/us/products/1182089>

Commercial Data

| | |
|--------------------------------------|---------------|
| Item number | 1182089 |
| Packing unit | 1 pc |
| Minimum order quantity | 1 pc |
| Sales Key | B10 |
| Product Key | BF7ACD |
| GTIN | 4063151219116 |
| Weight per Piece (including packing) | 60.4 g |
| Weight per Piece (excluding packing) | 60 g |
| Customs tariff number | 85389099 |
| Country of origin | CN |

Module carrier frame - HC-M-B10-MFH-H



1182089

<https://www.phoenixcontact.com/us/products/1182089>

Technical Data

Notes

| | |
|---------|---|
| General | This product replaces 1417404 HC-M-B10-MF-H |
|---------|---|

Product properties

| | |
|------------------------|------------------------------------|
| Type | B10 |
| Product type | Module carrier frame |
| Application | Module carrier frame |
| Number of module slots | 3 |
| Type | for the sleeve side (A, B, C, ...) |
| Series | HC-M-B |
| | HC-M-02 |
| | HC-M-03 |
| | HC-M-03/04 |
| | HC-M-04 |
| | HC-M-05 |
| | HC-M-06 |
| | HC-M-08 |
| | HC-M-08-GBIT |
| | HC-M-12 |
| | HC-M-17 |
| | HC-M-20 |
| | HC-M-25 |
| | HC-M-DSUB |
| | HC-M-EMV |
| | HC-M-HV |
| | HC-M-HS |
| | HC-M-00 |
| Frame type | Module carrier frame |

Connection data

Conductor connection

| | |
|------------------------------|---|
| Conductor cross section | 4 mm ² ... 6 mm ² (for PE conductor - power side) |
| | 1 mm ² ... 2.5 mm ² (for PE conductor - control side) |
| Connection cross section AWG | 12 ... 10 (for PE conductor - power side) |
| | 18 ... 14 (for PE conductor - control side) |
| Torque | 0.5 Nm ... 0.8 Nm (Mounting screws for mounting in the HEAVYCON housing) |

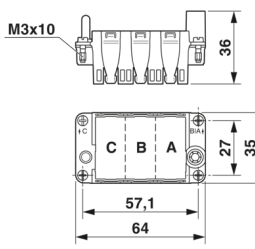
Dimensions

Module carrier frame - HC-M-B10-MFH-H



1182089

<https://www.phoenixcontact.com/us/products/1182089>

| | |
|---------------------|--|
| Dimensional drawing |  |
| Width | 34.9 mm |
| Height | 36 mm |
| Length | 64 mm |

Material specifications

| | |
|--------------------------|---------------------|
| Color | silver |
| Contact carrier material | Die-cast zinc alloy |

Connector

| | |
|-----------------------------|-------|
| Insertion/withdrawal cycles | ≥ 500 |
|-----------------------------|-------|

Environmental and real-life conditions

Ambient conditions

| | |
|---------------------------------|-------------------|
| Ambient temperature (operation) | -40 °C ... 125 °C |
|---------------------------------|-------------------|

Mounting

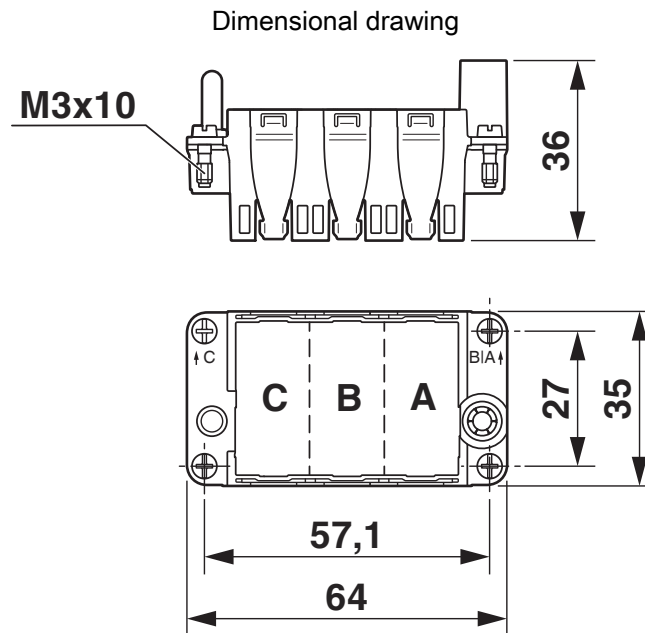
| | |
|-----------------------|---|
| Assembly instructions | HC-MHR-PE16 (1636981) for PE connection extension to 16 mm ² . Use wire end protection for PE wires (PE connection screws without wire protection) for housings without lateral connectors, max. thread length of the screw connection 12 mm |
|-----------------------|---|

Module carrier frame - HC-M-B10-MFH-H

1182089

<https://www.phoenixcontact.com/us/products/1182089>

Drawings



Dimensional drawing

Module carrier frame - HC-M-B10-MFH-H



1182089

<https://www.phoenixcontact.com/us/products/1182089>

Approvals



CSA

Approval ID: 13631



UL Recognized

Approval ID: E118976

Module carrier frame - HC-M-B10-MFH-H



1182089

<https://www.phoenixcontact.com/us/products/1182089>

Classifications

ECLASS

| | |
|---------------|----------|
| ECLASS-9.0 | 27440206 |
| ECLASS-10.0.1 | 27440206 |
| ECLASS-11.0 | 27440206 |

ETIM

| | |
|----------|----------|
| ETIM 8.0 | EC002312 |
|----------|----------|

Module carrier frame - HC-M-B10-MFH-H



1182089

<https://www.phoenixcontact.com/us/products/1182089>

Environmental Product Compliance

| | |
|------------|--|
| REACH SVHC | Lead 7439-92-1 |
| China RoHS | Environmentally Friendly Use Period = 50 years |
| | For information on hazardous substances, refer to the manufacturer's declaration available under "Downloads" |

Module carrier frame - HC-M-B10-MFH-H

1182089

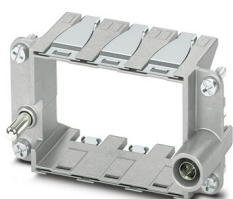
<https://www.phoenixcontact.com/us/products/1182089>

Accessories

Module carrier frame

Module carrier frame - HC-M-B10-MFH-B - 1182088

<https://www.phoenixcontact.com/us/products/1182088>



Module carrier frame, size: B10, type : for the panel mounting side (a, b, c, ...), 4 mm² ... 6 mm², application: Module carrier frame

Cable lug

Cable lug - HC-M-MHR-PE16 - 1636981

<https://www.phoenixcontact.com/us/products/1636981>



Cable lug for HEAVYCON-MODULAR; PE connection extension to 16 mm², for crimping with crimp pliers

Module carrier frame - HC-M-B10-MFH-H



1182089

<https://www.phoenixcontact.com/us/products/1182089>

Coding element

Coding element - HC-CST-MOD - 1636127

<https://www.phoenixcontact.com/us/products/1636127>



Coding peg for coding up to 16 connectors, for HC Modular

Coding element

Coding element - HC-CBU-MOD - 1636130

<https://www.phoenixcontact.com/us/products/1636130>



Coding socket for coding up to 16 connectors, for HC Modular

Phoenix Contact 2022 © - all rights reserved

<https://www.phoenixcontact.com>

Phoenix Contact USA
586 Fulling Mill Road
Middletown, PA 17057, United States
(+717) 944-1300
info@phoenixcon.com