

PLEASE CHECK WWW.MOLEX.COM FOR LATEST PART INFORMATION

Part Number: [0513460200](#)
Status: **Active**
Description: 3.30mm (.130") Pitch Wire-to-Wire Plug Housing, Positive Lock, Single Row, 2 Circuits, White

Documents:

[Drawing \(PDF\)](#) [RoHS Certificate of Compliance \(PDF\)](#)

General

Product Family Crimp Housings
 Series [51346](#)
 Product Name N/A

Physical

Circuits (maximum) 2
 Color - Resin Natural
 Gender Male
 Glow-Wire Compliant No
 Lock to Mating Part Yes
 Material - Resin Nylon
 Number of Rows 1
 Packaging Type Bag
 Panel Mount No
 Pitch - Mating Interface (in) 0.130 In
 Pitch - Mating Interface (mm) 3.30 mm
 Polarized to Mating Part Yes
 Stackable No
 Temperature Range - Operating -25°C to +85°C

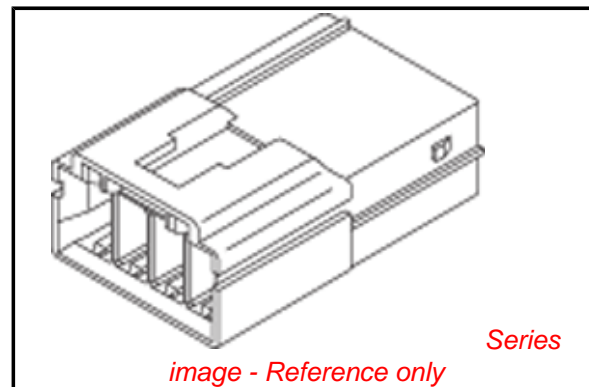
Electrical

Current - Maximum per Contact 4A

Material Info

Reference - Drawing Numbers

Product Specification RPS-51347-003
 Sales Drawing SD-51346-001



EU RoHS

ELV and RoHS Compliant
REACH SVHC Contains SVHC: No
Halogen-Free Status
Not Reviewed

China RoHS



Need more information on product environmental compliance?

Email productcompliance@molex.com
 For a multiple part number RoHS Certificate of Compliance, [click here](#)

Please visit the [Contact Us](#) section for any non-product compliance questions.

Search Parts in this Series

[51346Series](#)

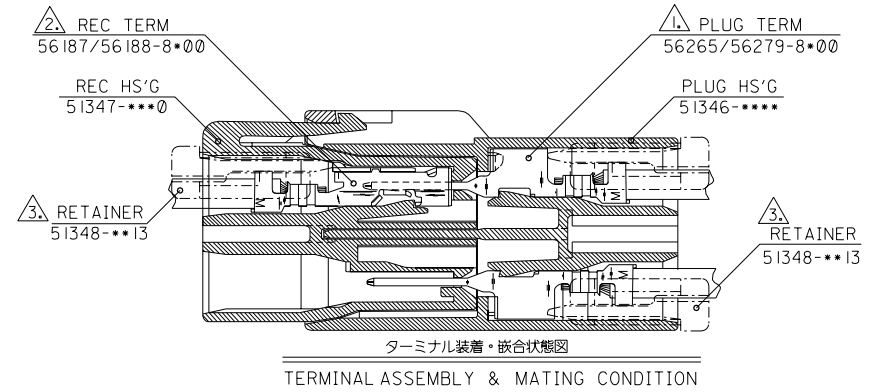
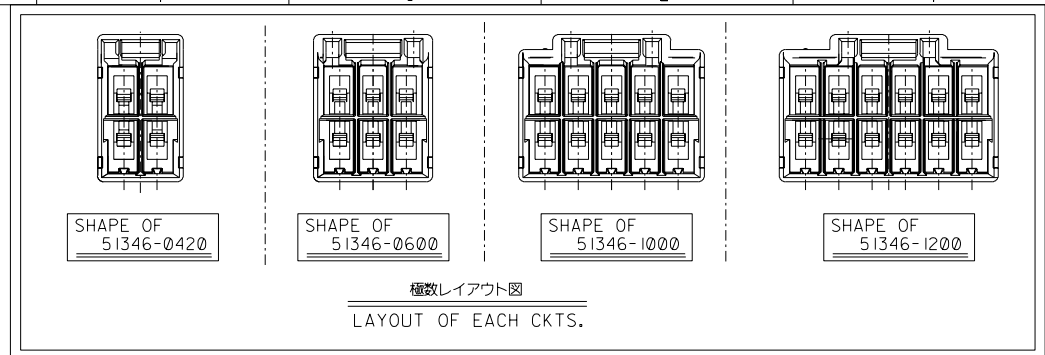
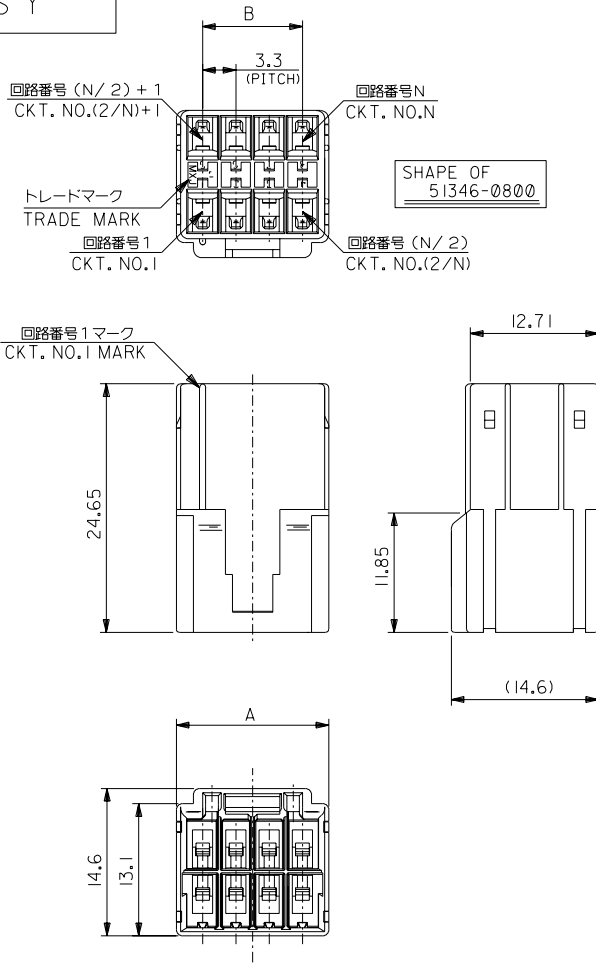
Mates With

[51347-0200](#)

Use With

[51348](#) , [56265](#)

本図は2列品を示す
DUAL ROW ASS'Y



- 注記
NOTES
- 1. 適合ターミナル: 56265/56279シリーズ
APPLICABLE TERMINAL: 56265/56279 SERIES
 - 2. 適合ターミナル: 56187/56188シリーズ
APPLICABLE TERMINAL: 56187/56188 SERIES
 - 3. 適合リテーナー: 51348-***1* シリーズ
APPLICABLE RETAINER: 51348-***1* SERIES
4. 材料: NYLON66, UL94V-0
MATERIAL

51347-1200	51348-0613	NATURAL	16.5	21.7	12	51346-1200	
-1000	-0513		13.2	18.4	10	-1000	51346-****
-0800	-0413		9.9	15.1	8	-0800	
-0600	-0313		6.6	11.8	6	-0600	
51347-0420	51348-0213	NATURAL	3.3	8.5	4	51346-0420	
MATE WITH	CONFORMABLE-RETAINER	COLOR	B	A	CKT.	MATERIAL NO.	MODEL NO.

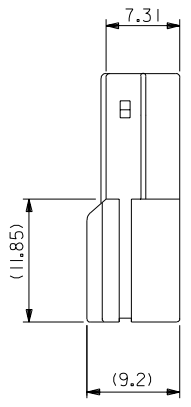
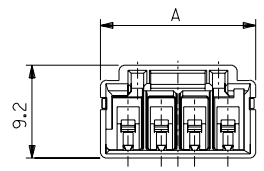
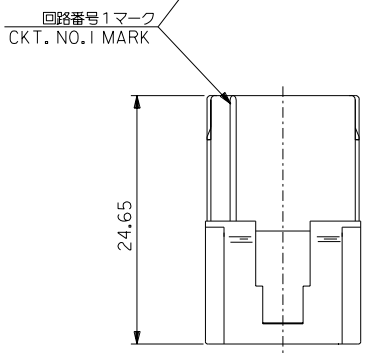
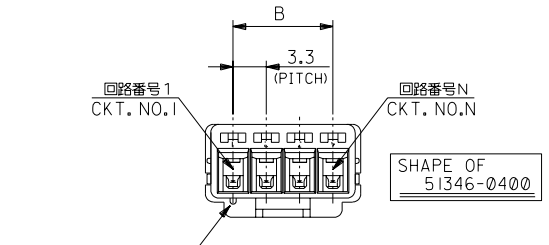
DO NOT SCALE DRAWING

回路NO. DRAWN: CH'K: APPR: 回路NO. DRAWN: CH'K: APPR: 回路NO. DRAWN: CH'K: APPR: 回路NO. DRAWN: CH'K: APPR:	RELEASED 回路NO. J2004-1974 DRAWN: T.ODA '04/01/19 CH'K: S.ICHIKAWA APPR: Y.O.ITO	MATERIAL 材料 FINISH 仕上げ WIRE RANGE 適用電線範囲 INS. RANGE 被覆外径	// // // //
REV	DESCRIPTION		

GENERAL TOLERANCES: (UNLESS SPECIFIED) 一般公差 10 UNDER 未満 ±0.2 10 OVER 以上 30 UNDER 未満 ±0.25 30 OVER 以上 ±0.3 ANGLE 角度 ±3°	SCALE 1:1 DESIGN UNITS mm INCH DRAWN BY & DATE T.ODA '04/01/15 CHECKED BY & DATE S. Ichikawa. APPROVED BY & DATE Y.Oto	DIMENSIONS: mm INCH mm ONLY TITLE: 3.3 mm WIRE TO WIRE CONN. PLUG HOUSING MOLEX MOLEX INCORPORATED	DIMENSION: SHT REV DIMENSIONS: mm INCH mm ONLY DIMENSIONS: mm ONLY DIMENSIONS: mm ONLY DIMENSIONS: mm ONLY
CAD FILENAME SD-51347-001.S01	MATERIAL NO. SEE CHART	DRAWING NO. SD-51346-001	SHEET NO. 1 OF 2
THIS DRAWING CONTAINS INFORMATION THAT IS PROPRIETARY TO MOLEX INCORPORATED AND SHOULD NOT BE USED WITHOUT WRITTEN PERMISSION.			SIZE B

DO NOT SCALE DRAWING

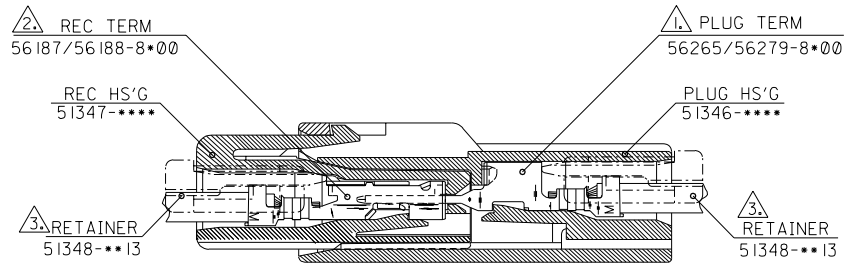
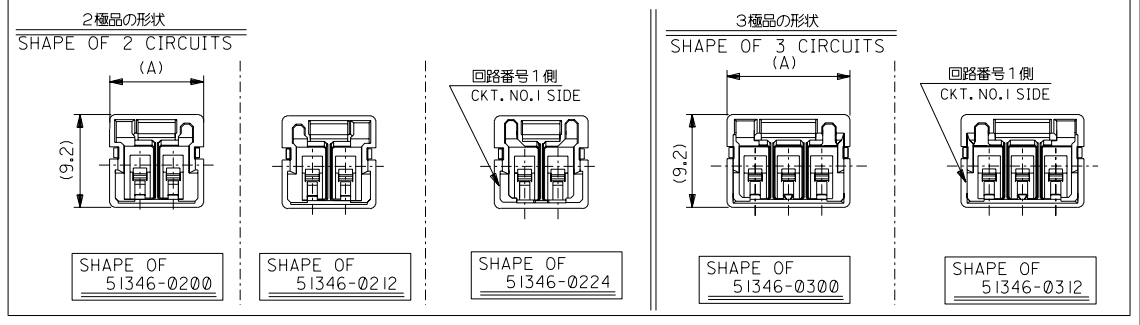
本図は1列品を示す
SINGLE ROW ASS'Y



注記
NOTES

- △ 適合ターミナル: 56265/56279シリーズ
APPLICABLE TERMINAL: 56265/56279 SERIES
 - △ 適合ターミナル: 56187/56188シリーズ
APPLICABLE TERMINAL: 56187/56188 SERIES
 - △ 適合リテーナー: 51348シリーズ
APPLICABLE RETAINER: 51348 SERIES
4. 材料 MATERIAL : NYLON66, UL94V-0

各種形状を下記に示す。
尚、嵌合間口にて嵌合バリエーションを持たせている為組み合わせには注意して下さい。



51347-0400	51348-0413	NATURAL	9.9	15.1	4	51346-0400	51346-****
-0312	-0313	RED	6.6	12.1	3	-0312	
-0300	-0313	NATURAL	6.6	12.1		-0300	
-0224	-0213	BLUE	3.3	9.3		-0224	
-0212	-0213	RED	3.3	9.3	2	-0212	
51347-0200	51348-0213	NATURAL	3.3	9.3		51346-0200	

64 NO. DRAWN: CH'K: APPR: 63 NO. DRAWN: CH'K: APPR: 62 NO. DRAWN: CH'K: APPR: 61 NO. DRAWN: CH'K: APPR: 60 NO. DRAWN: CH'K: APPR:			MATERIAL 材料 // FINISH 仕上げ // WIRE RANGE 適用電線範囲 // INS. RANGE 被覆外径 //			GENERAL TOLERANCES: (UNLESS SPECIFIED) 一般公差 10 UNDER 未満 ±0.2 10 OVER 30 UNDER 以上 未満 ±0.25 30 OVER 以上 ±0.3 ANGLE 角度 ±3°			SCALE 1:1 DESIGN UNITS mm INCH DRAWN BY & DATE Y.Odo '04/01/15 CHECKED BY & DATE S. Ichikawa APPROVED BY & DATE Y.Odo CAD FILENAME SD-51346-001.S02 DIMENSIONS: mm INCH mm INCH mm ONLY SHT 2 REV TITILE: 3.3 mm WIRE TO WIRE CONN. PLUG HOUSING (SINGLE ROW) MOLEX MOLEX INCORPORATED MATERIAL NO. SEE CHART DRAWING NO. SD-51346-001 SHEET NO. 2 THIS DRAWING CONTAINS INFORMATION THAT IS PROPRIETARY TO MOLEX INCORPORATED AND SHOULD NOT BE USED WITHOUT WRITTEN PERMISSION. SIZE B		
---	--	--	---	--	--	--	--	--	---	--	--