

Saddle Bar Strain-Relief Backshell

507-198



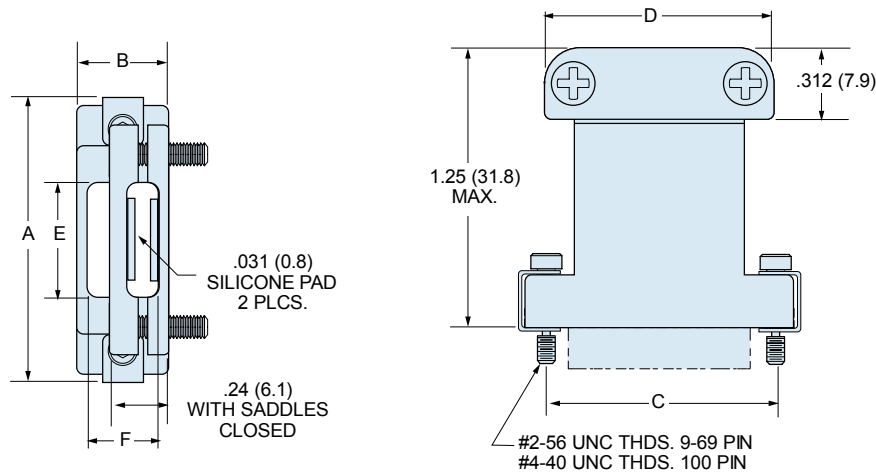
507-198 Strain Relief Backshells feature saddle bar cable clamps for easy installation.

MATERIALS

Shell	Aluminum Alloy 6061 -T6
Clips	17-7PH Stainless Steel
Hardware	300 Series Stainless Steel

HOW TO ORDER 507-198 STRAIN RELIEF BACKSHELLS

Series	Shell Finish	Connector Size	
507-198	E - Chem Film	09	51
	J - Cadmium, Yellow Chromate	15	51-2
	M - Electroless Nickel	21	67
	NF - Cadmium, Olive Drab	25	69
	Z2 - Gold	31	100
			37
Sample Part Number			
507-198	M	25	



DIMENSIONS

Size	A Max.		B Max.		C		D Max.		E		F	
	In.	mm.	In.	mm.	In.	mm.	In.	mm.	In.	mm.	In.	mm.
09	.850	21.59	.420	10.67	.565	14.35	.840	21.34	.31	7.87	.31	7.87
15	1.000	25.40	.420	10.67	.715	18.16	.910	23.11	.38	9.65	.31	7.87
21	1.150	29.21	.420	10.67	.865	21.97	.970	24.64	.44	11.18	.31	7.87
25	1.250	31.75	.420	10.67	.965	24.51	1.030	26.16	.50	12.70	.31	7.87
31	1.400	35.56	.420	10.67	1.115	28.32	1.080	27.43	.55	13.97	.31	7.87
37	1.550	39.37	.420	10.67	1.265	32.13	1.130	28.70	.60	15.24	.31	7.87
51	1.500	38.10	.470	11.94	1.215	30.86	1.080	27.43	.55	13.97	.36	9.14
51-2	1.910	48.51	.420	10.67	1.615	41.02	1.480	37.59	.95	24.13	.31	7.87
67	2.310	58.67	.420	10.67	2.015	51.18	1.880	47.75	1.35	34.29	.31	7.87
69	1.810	45.97	.470	11.94	1.515	38.48	1.380	35.05	.85	21.59	.36	9.14
100	2.235	56.77	.510	12.95	1.800	45.72	1.650	41.91	1.00	25.40	.40	10.04