

Model:3TA17-300

Characteristics:

full sealed, epoxy encapsulated, high dielectric strength, three phase current combination detection, adopting nanocrystalline core.

Technical index:

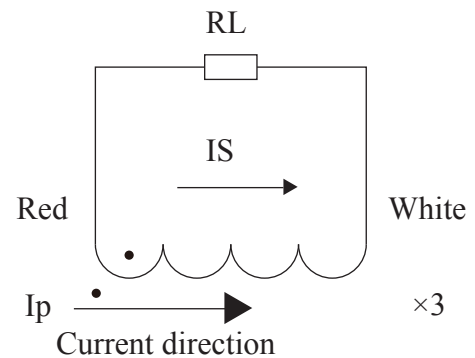
Mounting type: Suspend
 Material of the core: Nanocrystalline
 Flame resistance: UL94-V0
 Execution standard: GB1208-2006
 Operating temperature: $-35^{\circ}\text{C} \sim +85^{\circ}\text{C}$
 Storage temperature: $-45^{\circ}\text{C} \sim +95^{\circ}\text{C}$
 Frequency range: 20Hz-20KHz
 Dielectric strength: 3.5KV 50Hz 1min



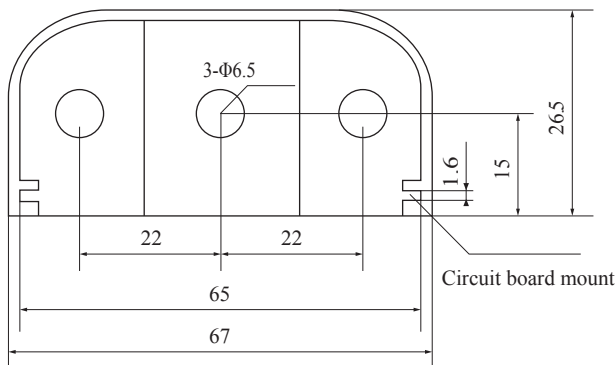
Electrical parameters:

Rated input	0-30	A
Max.input		A
Rated output	0-10	mA
Turns ratio	1: 3000	
Accuracy	± 1	%
Linearity	≤ 0.2	%
Phase difference	$\leq 15'$	
Max.sampling resistance	450	Ω
Weight	49	g

Schematic diagram:

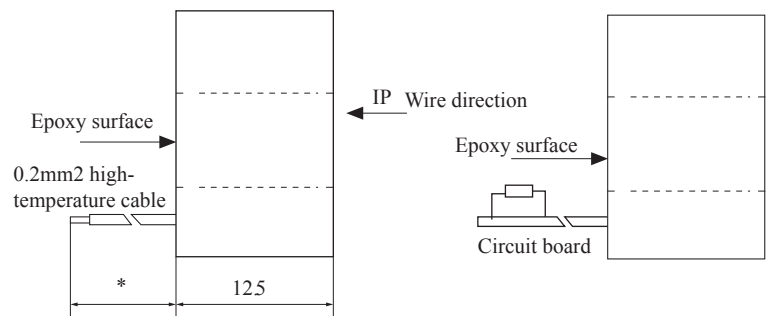


Dimensions (in mm) :



Back View

(Epoxy encapsulation view)



Side view

(3TA17LCable type)

Side view

(3TA17B Circuit board embedded type)