

Specifications:

Electrical:

- Current Rating
1.5A/contact terminal
- Voltage Rating
30V DC
- Contact Resistance
30 milliohms MAX
- Dielectric Withstanding Voltage:
500 V AC AT Sea Level
- Insulation Resistance:
1000MEGA ohms MIN

Mechanical:

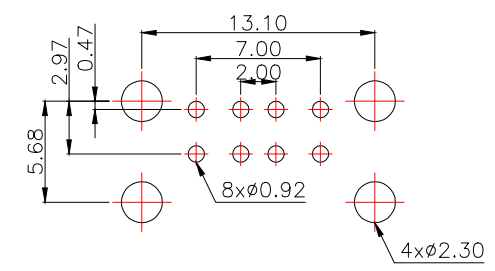
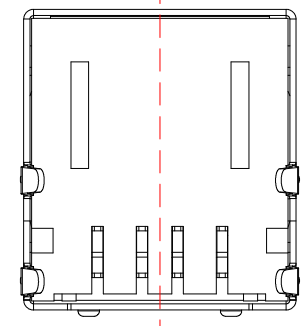
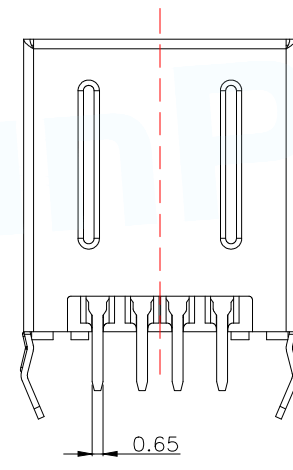
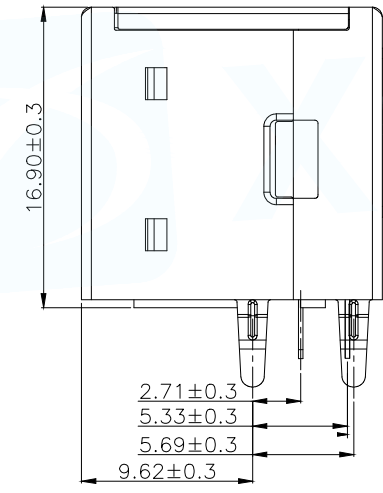
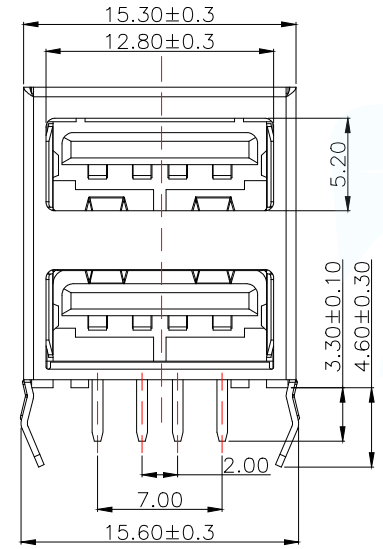
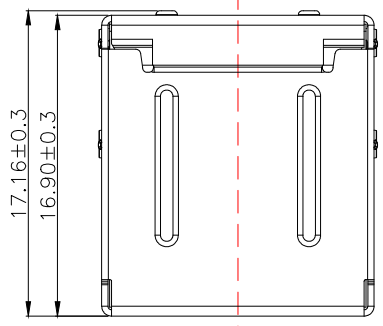
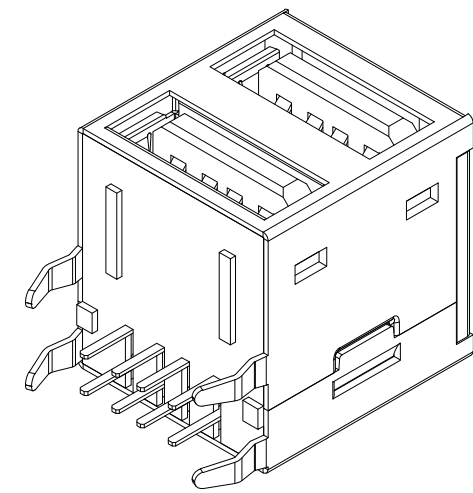
- Connector Mate and Unmate Force
Mate force:3.75kgf (MAX)
Unmate force:1.02kgf (MIN)
- Terminal Retention 1.2kgf (MIN)

Material:

- Housing:Hing Temperature Thermoplastics,UL 94V-0 PBT/LCP White/Black
- Contact:Copper Alloy C2680
- Shell: Copper Alloy C2680/SPCC

Finish:

- Contact: Plated Gold in Mating Area;Tin On Solder Talls
- Shell: Nickel Plating



PCB.WELDING DRAWING (TOLERANCE:±0.05)

Pin Definition		
PIN	Signal Name	Describe
1	VBUS	+5V
2	D-	Neagative Data Channel
3	D+	Positive Data Channel
4	GND	Ground

MANUFACTURE DWG		东莞市讯普电子科技有限公司 DongGuan XunPu Electronics Co.,Ltd	
UNLESS OTHERWISE SPECIFIED TOLERANCES		TITLE: USB-AF-90°双层一包	
DECIMALS:			PAR USB-269-BRW
ANGLES:			DWN
X.X±0.30	X.*±5°		CHKD
X.XX±0.25	X.X*±1°		APVD
X.XXX±0.15		CUSTOMER COPY	SCALE N:A UNIT:MM SIZE:A4 SHEET:1F1 REV:A